

AMPLIFIED INDUCTIVE SENSORS



IS Series



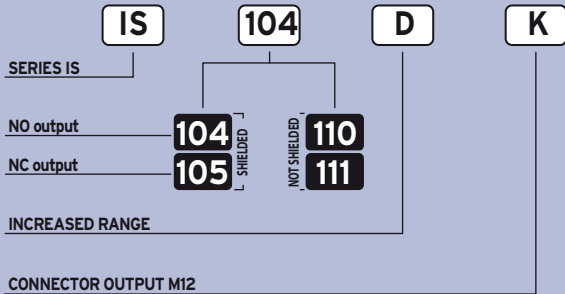
Ø 30 INCREASED RANGE

24÷230 V AC/DC - 2 WIRES NO OR NC OUTPUT

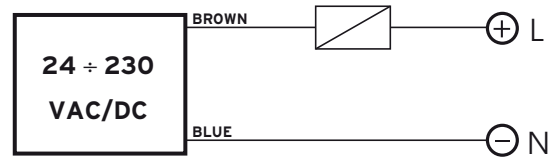
- Range, 15mm to 20mm - shielded, not shielded
- Short circuit protection AC/DC
- Cable or M12 quick connect models
- Max inrush current (20ms) 2.5A
- 350mA max output

INDUCTIVE

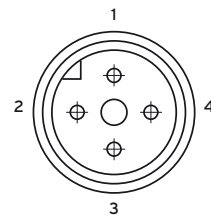
IDENTIFICATION CODE



WIRING DIAGRAMS



CONNECTION WITH CONNECTOR M12 (K)



View of quadripole male connector.

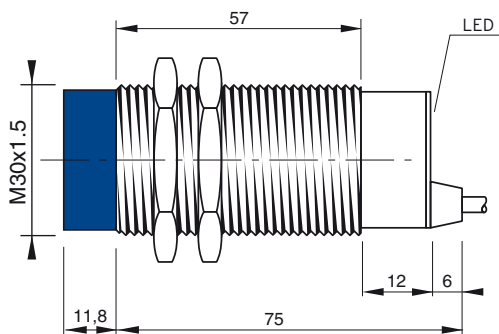
CONTACTS CONFIGURATION

Available	Contacts numbers			
	1	2	3	4
(NO or NC)	(+) L		(-) N	

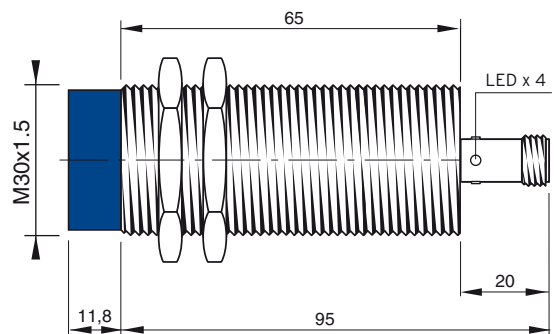
	SHIELDED	NOT SHIELDED
NOMINAL SWITCHING DISTANCE (Sn)	15 mm	20 mm
NOMINAL VOLTAGE	24 ÷ 230 VAC/DC (-15/+10%)	
NET FREQUENCY	50 ÷ 60 Hz	
HYSTERESIS	< 10%	
MAX. OUTPUT CURRENT	350 mA	
MIN. OUTPUT CURRENT	4 mA	
MAX. INRUSH CURRENT (20 ms)	2,5 A	
RESIDUAL CURRENT	< 1,5 mA	
VOLTAGE DROP (Sensor ON)	< 6 V (I=100mA)	
OPERATION LED	Yellow	
SWITCHING FREQUENCY	12 Hz	
START UP DELAY	≤ 300 ms	
SHORT CIRCUIT PROTECTION	Present (manual resetting)	
REPEATABILITY	≤ 3%	
TEMPERATURE LIMITS	-25 ÷ +70 °C	
PROTECTION DEGREE	IP 67	
CABLE LENGTH	2 m	
CABLE SECTION	2 x 0.25 mm ²	
HOUSING MATERIAL	Nickel-plated brass	
WEIGHT - Cable output -	210 g	
WEIGHT - K connector output -	170 g	

DIMENSIONS (mm)

CONFIGURATION WITH CABLE



CONFIGURATION WITH CONNECTOR K



Note: the front part in blue refers to not shielded models