



Pendant Stations



More than safety.



EUCHNER

More than safety.



Emil Euchner, the company's founder and inventor of the multiple limit switch, circa 1928.



Around the world – the Swabian specialists in motion sequence control for mechanical and systems engineering.

EUCHNER's history began in 1940 with the establishment of an engineering office by Emil Euchner. Since that time, EUCHNER has been involved in the design and development of switchgear for controlling a wide variety of motion sequences in mechanical and systems engineering. In 1953, Emil Euchner founded EUCHNER + Co., a milestone in the company's history. In 1952, he developed the first multiple limit switch – to this day a symbol of the enterprising spirit of this family-owned company.

Automation – Safety – ManMachine

Today, our products range from electromechanical and electronic components to complex system solutions. With this wide range of products we can provide the necessary technologies to offer the right solution for special requirements – regardless of whether these relate to reliable and precise positioning or to components and systems for safety engineering in the automation sector.

EUCHNER products are sold through a world-wide sales network of competent partners. With our closeness to the customer and the guarantee of reliable solutions throughout the globe, we enjoy the confidence of customers all over the world.

Quality, reliability, precision

Quality, reliability and precision are the hallmarks of our corporate philosophy. They represent concepts and values to which we feel totally committed.

At EUCHNER, quality means that all our employees take personal responsibility for the company as a whole and, in particular, for their own field of work. This individual commitment to perfection results in products which are ideally tailored to the customers' needs and the requirements of the market. After all: our customers and their needs are the focus of all our efforts. Through efficient and effective use of resources, the promotion of personal initiative and courage in finding unusual solutions to the benefit of our customers, we ensure a high level of customer satisfaction. We familiarize ourselves with their needs, requirements and products and we learn from the experiences of our customers' own customers.

EUCHNER – More than safety.



Quality – made by EUCHNER

Table of Contents

HBA Hand-Held Pendant Station

General	4
Basic designs of integral devices	5
Hand-held pendant station kit	16
HBA housing without handwheel	18
HBA housing with handwheel	21
Front plate for HBA housing without handwheel	25
Front plate for HBA housing with handwheel	26
EMERGENCY-STOP device with pull release according to EN 418	27
Pushbutton	28
Key-operated rotary switch	28
Selector switch 1 from X	29
Grey code selector switch	30
Rotary knob	31
Plug connector	32
Flange sockets	32
Spiral-shaped and straight 12-pole cable	33
Spiral-shaped and straight 23-pole cable	34
Cable gland with anti-kink spiral	35
Short-circuit plug	35

Accessories

Connection kit for HBA - 072 910	36
HBA holder	36

Appendix

HBA hand-held pendant station request form	38
Dimensions HBA top shell with domes	40

HBA Hand-Held Pendant Station

EUCHNER

General

EUCHNER hand-held pendant stations are characterized by their robust plastic housing with high degree of protection IP65, their multifunctional expandability and ergonomically logical operability. The hand-held pendant stations have been deployed for many years in the most diverse applications, especially in rough industrial environments.

In addition to the conventional properties, the new HBA series also offers new features, e.g. a flat and convenient design, small housing dimensions, lighter weight and an attractive design.

Thanks to its flexible configuration, the HBA series is also suitable for applications in diverse fields, e.g. robotics, controls for machine tools and assembly lines. A holder is also supplied for stationary mounting of the hand-held pendant station.

To enable you to use ergonomically designed housings even for prototypes or special versions, EUCHNER provides a kit for hand-held pendant stations. Consequently, you are able to assemble a hand-held pendant station in a user-friendly housing according to your requirements.

In order to use these ergonomically designed housings for diverse requirements, EUCHNER offers the option of customized solutions.



Brilliant in rough industrial environments - a unique design achievement

HBA hand-held pendant station awarded international design prize

Within the framework of the Baden-Württemberg International Design Prize 2001, two HBA hand-held pendant stations were awarded the title „Excellent“.

The success achieved in the competition on the theme „Focus Mobility“ can be attributed to the device's flat and convenient form, reduced weight and the ergonomical and handy design.

Both hand-held pendant stations are absolutely ideal for mobile deployment in rough industrial environments. Thanks to their robust plastic housing and multifunctional expandability, they can be employed in various fields, e.g. in robotics or as controls for machine tools and assembly lines.



Focus mobility 2001

HBA Hand-Held Pendant Station

EUCHNER

Basic designs of integral devices



HBA - 079 828



HBA - 079 826



HBA - 079 825



HBA - 079 827



HBA - 072 910



HBA holder

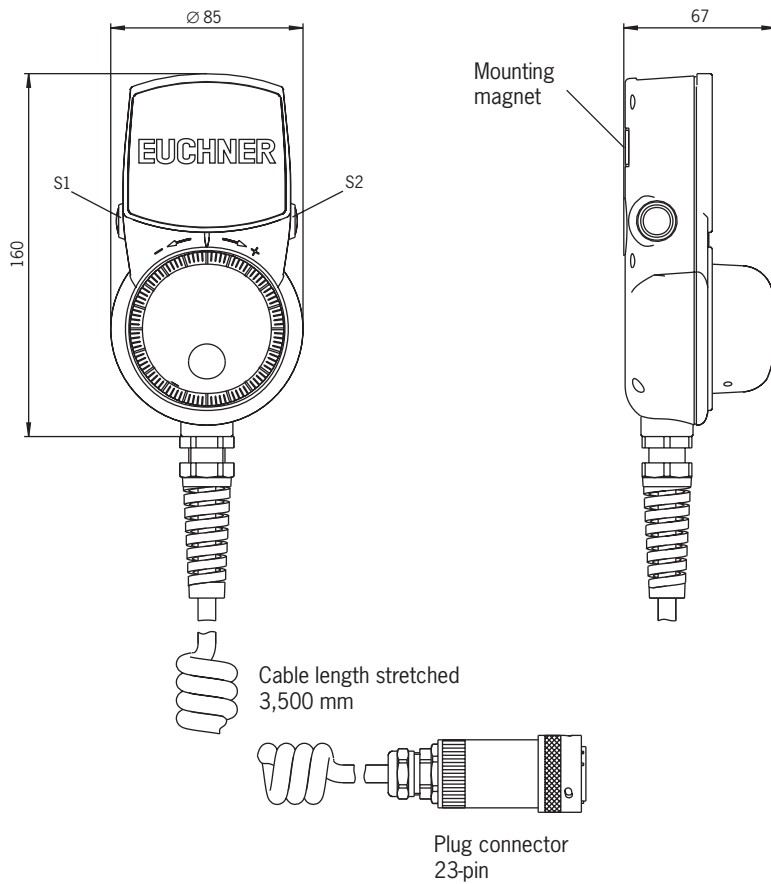
HBA Hand-Held Pendant Station

EUCHNER

HBA - 079 828

- ▶ 2 x 100 pulse handwheel, wear-resistant magnetic latching
- ▶ Two enabling switches, 2 stage, one per NO contact

Dimension drawing



Notes

- ▶ HBA holder for hand-held pendant stations, see Accessories, page 34
- ▶ Accompanying 23-pin flange sockets, see Accessories, page 32

Ordering table

Article	Order No.
HBA - 079 828 hand-held pendant station	079 828

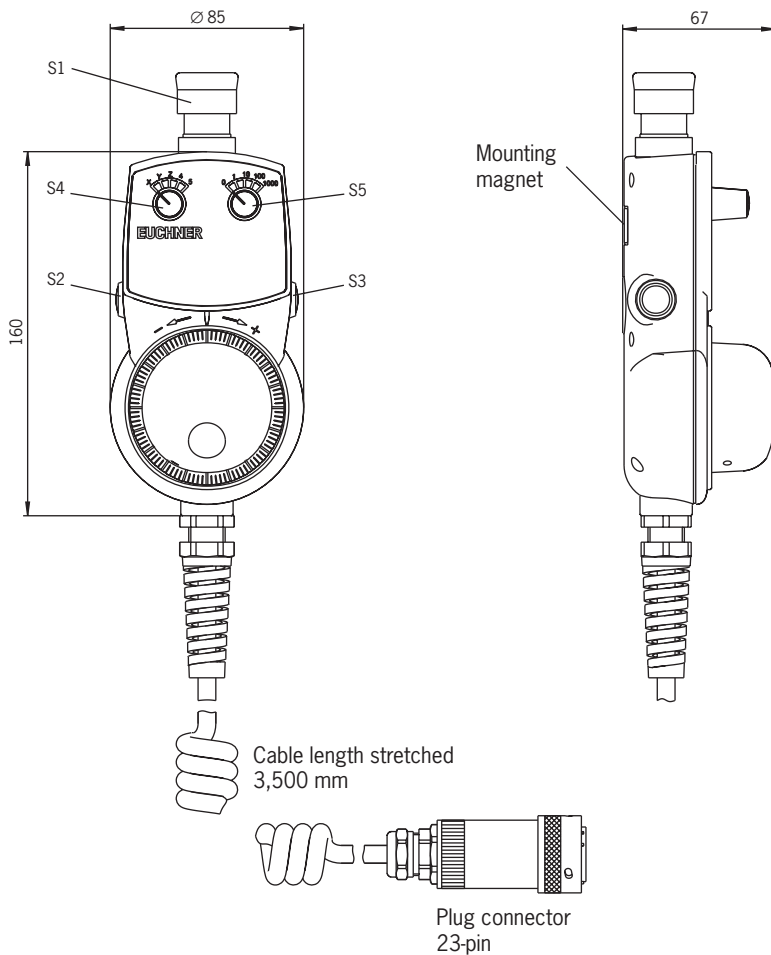
HBA Hand-Held Pendant Station

EUCHNER

HBA - 079 826

- ▶ 2 x 100 pulse handwheel, wear-resistant magnetic latching
- ▶ Overload-proof EMERGENCY-STOP according to EN 418, twin channel
- ▶ Two enabling switches, 2 stage, one per NO contact
- ▶ 2 selector switches, each 5-fold (X, Y, Z, 4, 5 and 0, 1, 10, 100, 1000)

Dimension drawing



Notes

- ▶ HBA holder for hand-held pendant stations see Accessories, page 34
- ▶ Accompanying 23-pin flange sockets, see Accessories, page 32

Ordering table

Article	Order No.
HBA - 079 826 hand-held pendant station	079 826

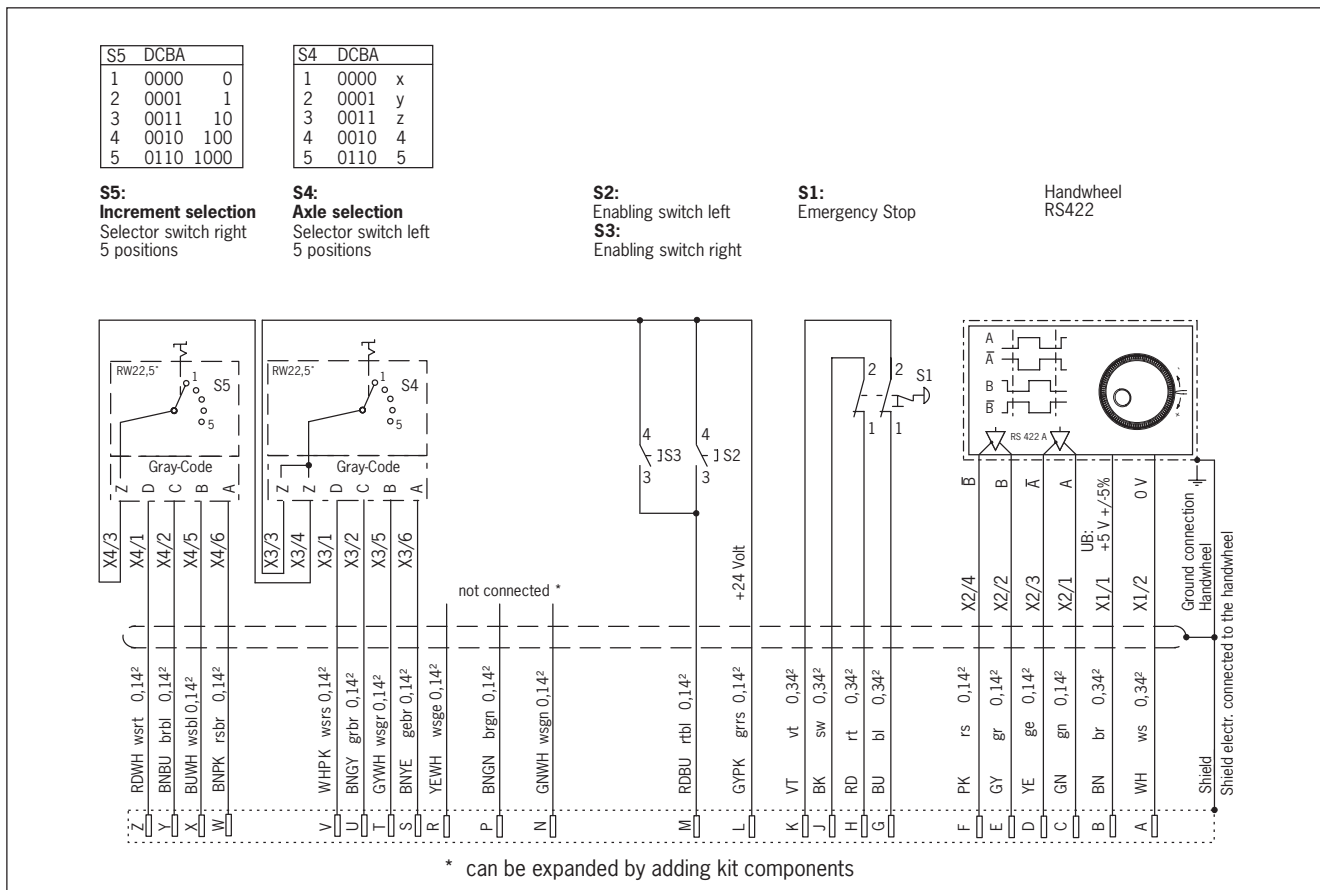
HBA Hand-Held Pendant Station



Technical data

Parameters	Value	Unit
HBA housing		
Material	Plastic (Polycarbonate)	
Color	Grey RAL 7040	
Operating temperature	0 to +50	°C
Storage temperature	-20 to +50	°C
Degree of protection according to EN 60529/NEMA	IP 65 / 250-12	
Connection	Spiral cable, expandable to 3.5 m, 23-pin plug connector	
Weight	approx. 1.3	kg
Handwheel		
Pulse / Revolution	100	
Distribution voltage	5 ± 5%	V DC
Output specifications	RS422A	
EMERGENCY-STOP		
Norm	EN 418	
Switching element	2 x NC contact	
Utilization category according to IEC 60947-5-1	DC-13, U _e 24 V, I _e 3 A	
Enabling switch		
Switching element	1 x No contact	
Resistive load	30 V AC / 0.4 A; 30 V DC / 0.1 A	
Selector switch		
Output code	see circuit plan	
Maximum switching voltage	30	V DC
Maximum switching current	200	mA
Maximum switching capacity	1	W

Circuit plan



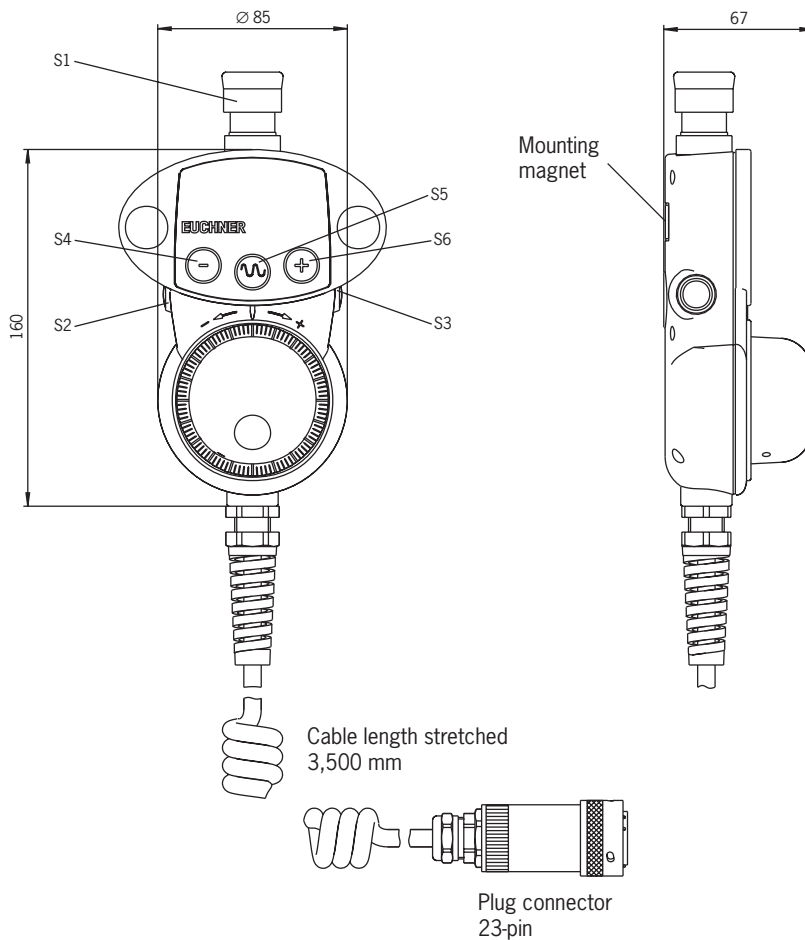
HBA Hand-Held Pendant Station

EUCHNER

HBA - 079 825

- ▶ 2 x 100 pulse handwheel, wear-resistant magnetic latching
- ▶ Overload-proof EMERGENCY-STOP according to EN 418, twin channel
- ▶ Two enabling switches, 2 stage, one per NO contact
- ▶ 3 membrane pushbuttons, one per NO contact

Dimension drawing



Notes

- ▶ HBA holder for hand-held pendant stations see Accessories, page 34
- ▶ Accompanying 23-pin flange sockets, see Accessories, page 32

Ordering table

Article	Order No.
HBA - 079 825 hand-held pendant station	079 825

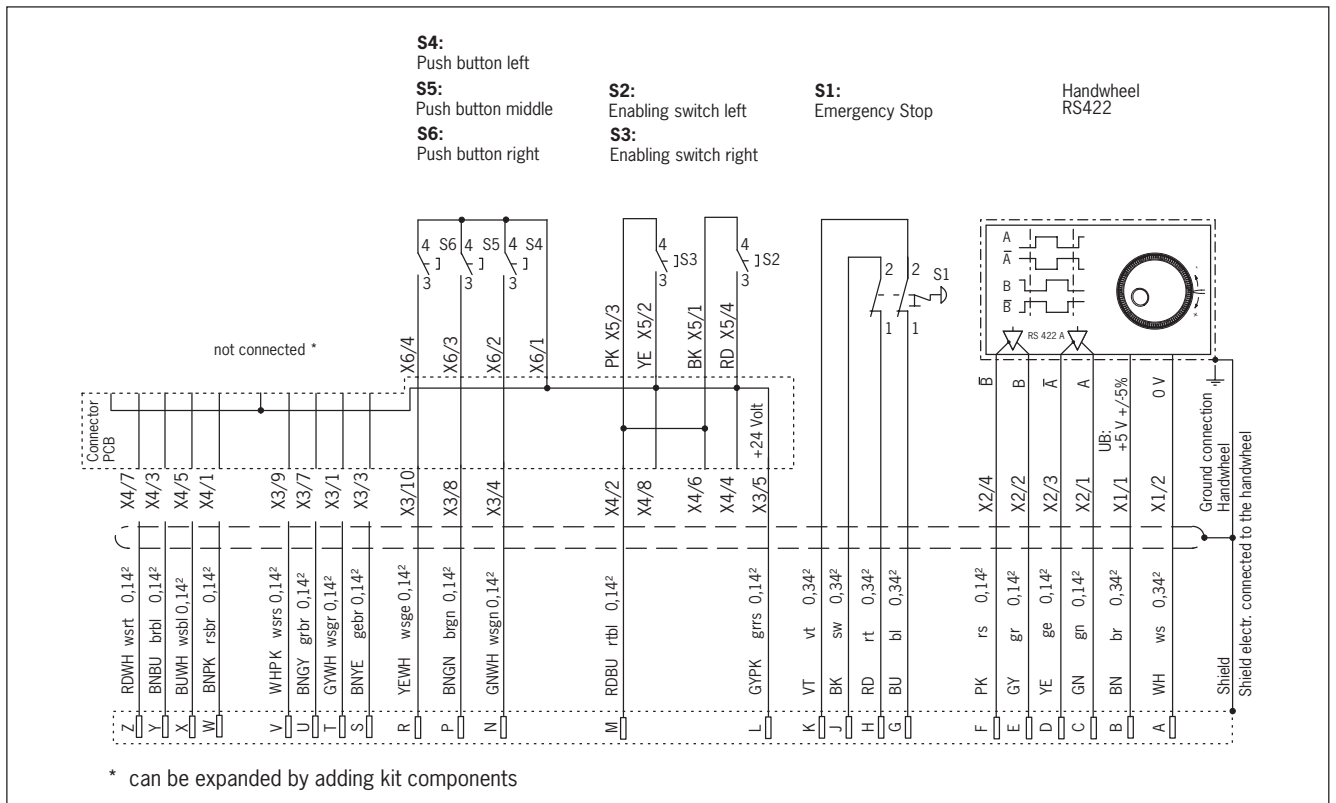
HBA Hand-Held Pendant Station



Technical data

Parameters	Value	Unit
HBA housing		
Material	Plastic (Polycarbonate)	
Color	Grey RAL 7040	
Operating temperature	0 to +50	°C
Storage temperature	-20 to +50	°C
Degree of protection according to EN 60529/NEMA	IP 65 / 250-12	
Connection	Spiral cable, expandable to 3.5 m, 23-pin plug connector	
Weight	approx. 1.3	kg
Handwheel		
Pulse / Revolution	100	
Distribution voltage	5 ± 5%	V DC
Output specifications	RS422A	
EMERGENCY-STOP		
Norm	EN 418	
Switching element	2 x NC contact	
Utilization category according to IEC 60947-5-1	DC-13, U _e 24 V, I _e 3 A	
Enabling switch		
Switching element	1 x No contact	
Resistive load	30 V AC / 0.4 A; 30 V DC / 0.1 A	
Pushbutton		
Switching elements	3 membrane pushbuttons, one per NO contact	
Maximum switching voltage	30	V DC
Maximum switching current	100	mA
Maximum switching capacity	1	W

Circuit plan



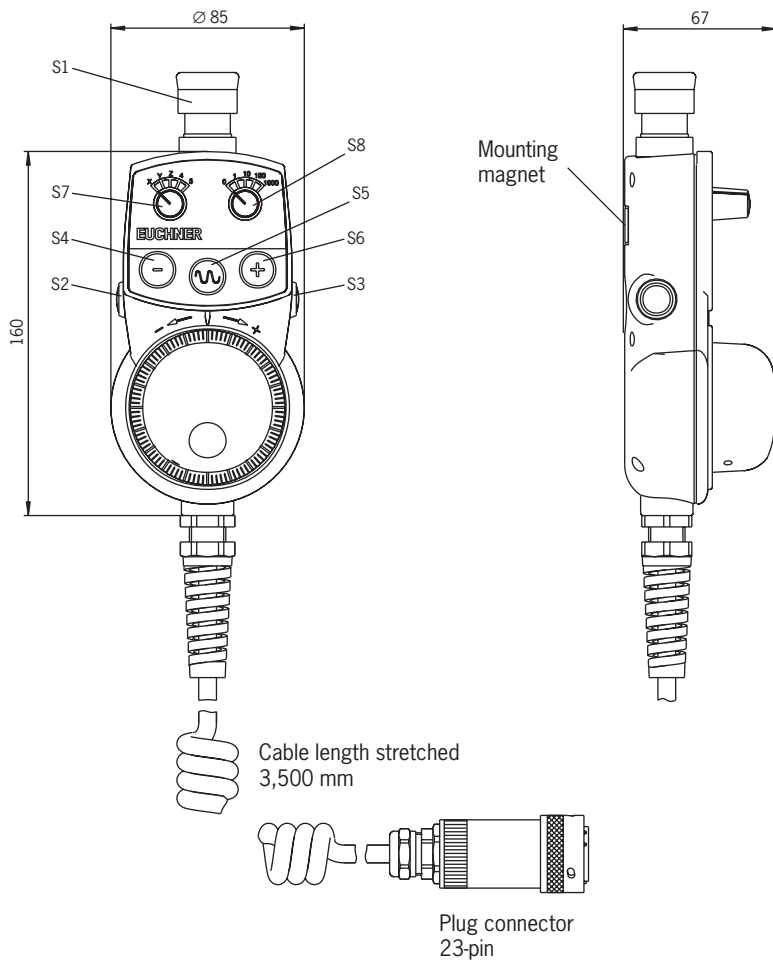
HBA Hand-Held Pendant Station

EUCHNER

HBA - 079 827

- ▶ 2 x 100 pulse handwheel, wear-resistant magnetic latching
- ▶ Overload-proof EMERGENCY-STOP according to EN 418, twin channel
- ▶ Two enabling switches, 2 stage, one per NO contact
- ▶ 2 selector switches, each 5-fold (X, Y, Z, 4, 5 and 0, 1, 10, 100, 1000)
- ▶ 3 membrane pushbuttons, one per NO contact

Dimension drawing



Notes

- ▶ HBA holder for hand-held pendant stations see Accessories, page 34
- ▶ Accompanying 23-pin flange sockets, see Accessories, page 32

Ordering table

Article	Order No.
HBA - 079 827 hand-held pendant station	079 827

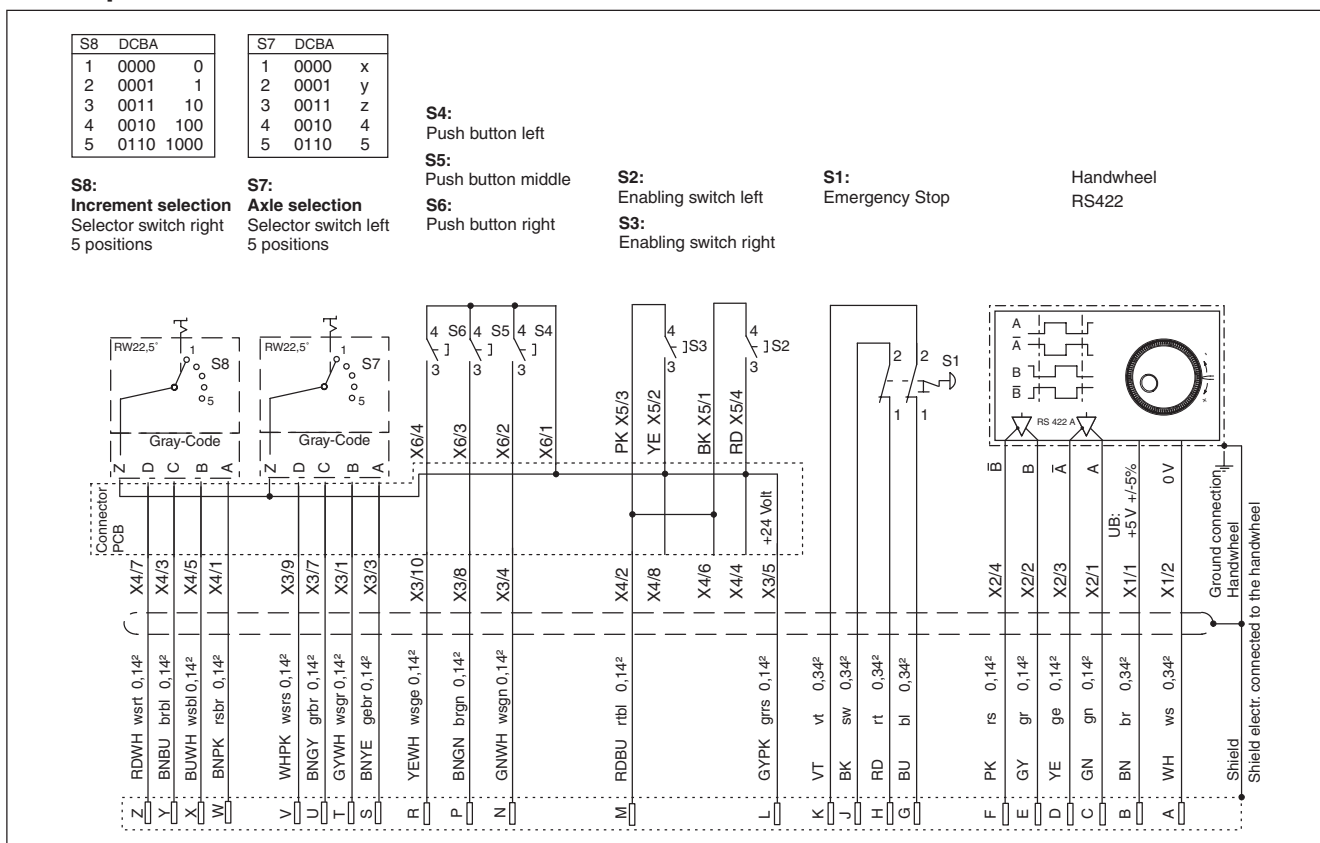
HBA Hand-Held Pendant Station



Technical data

Parameters	Value	Unit
HBA housing		
Material	Plastic (Polycarbonate)	
Color	Grey RAL 7040	
Operating temperature	0 to +50	°C
Storage temperature	-20 to +50	°C
Degree of protection according to EN 60529/NEMA	IP 65 / 250-12	
Connection	Spiral cable, expandable to 3.5 m, 23-pin plug connector	
Weight	approx. 1.3	kg
Handwheel		
Pulse / Revolution	100	
Distribution voltage	5 ± 5%	V DC
Output specifications	RS422A	
EMERGENCY-STOP		
Norm	EN 418	
Switching element	2 x NC contact	
Utilization category according to IEC 60947-5-1	DC-13, U _e 24 V, I _e 3 A	
Enabling switch		
Switching element	1 x No contact	
Resistive load	30 V AC / 0.4 A; 30 V DC / 0.1 A	
Selector switch		
Output code	see circuit plan	
Maximum switching voltage	30	V DC
Maximum switching current	200	mA
Maximum switching capacity	1	W
Pushbutton		
Switching elements	3 membrane pushbuttons, one per NO contact	
Maximum switching voltage	30	V DC
Maximum switching current	100	mA
Maximum switching capacity	1	W

Circuit plan



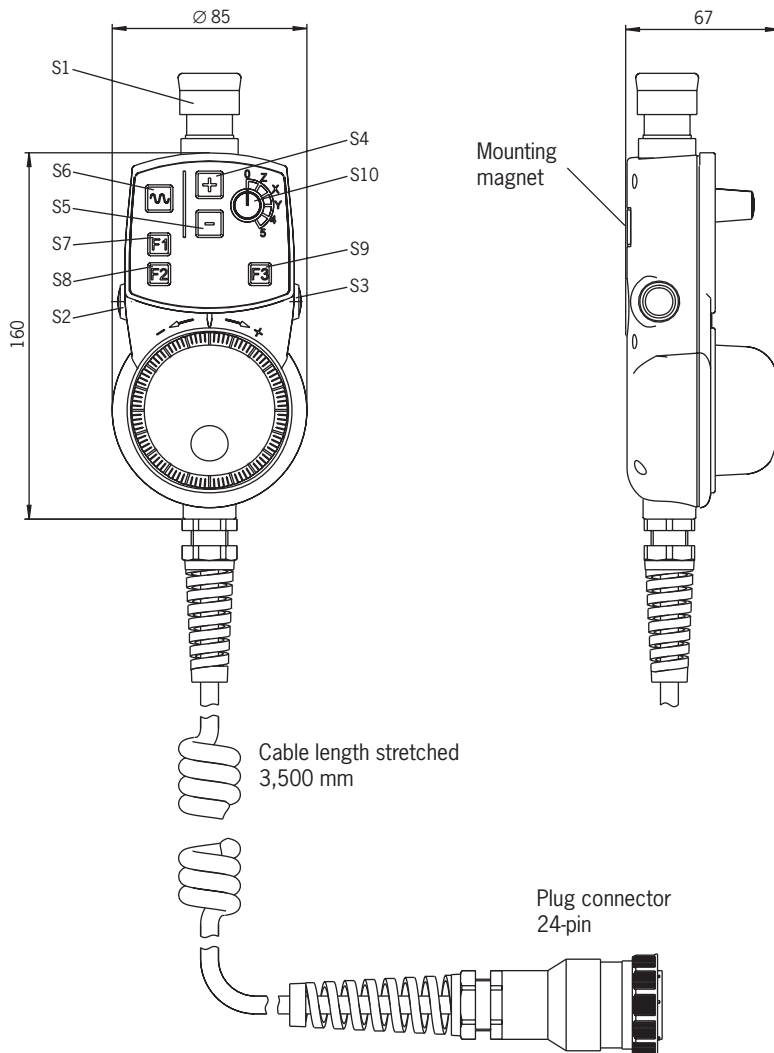
HBA Hand-Held Pendant Station

EUCHNER

HBA - 072 910

- ▶ 2 x 100 pulse handwheel, wear-resistant magnetic latching
- ▶ Overload-proof EMERGENCY-STOP according to EN 418, twin channel
- ▶ Two enabling switches, 2 stage, one per NO contact
- ▶ 1 selector switch, 6-fold (0, Z, X, Y, 4, 5)
- ▶ 6 membrane pushbuttons, one per NO contact

Dimension drawing



Notes

- ▶ HBA holder for hand-held pendant stations see Accessories, page 36
- ▶ Accompanying connection kit containing 24-pin connection box and short-circuit plug see Accessories, page 36

Ordering table

Article	Order No.
HBA - 072 910 hand-held pendant station	072 910

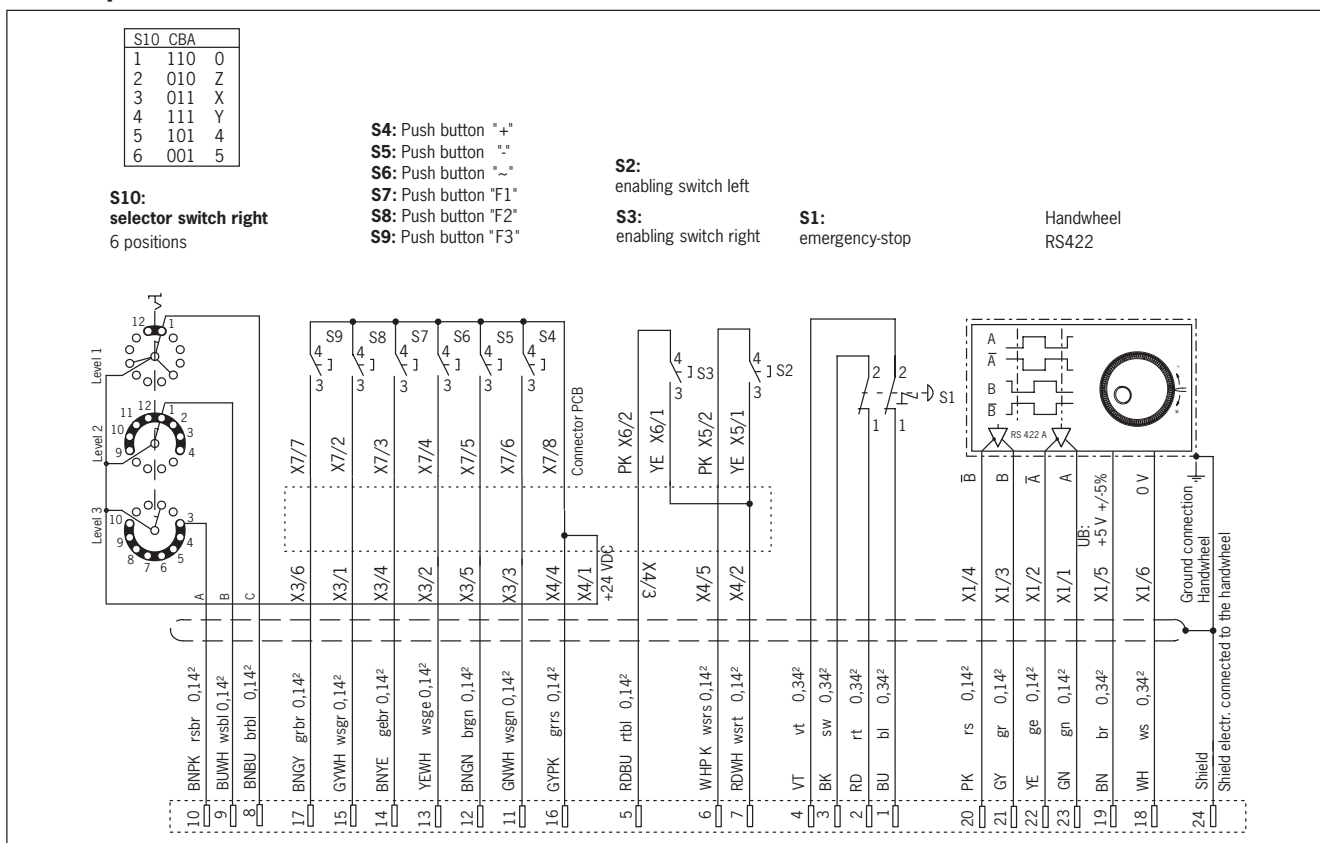
HBA Hand-Held Pendant Station



Technical data

Parameters	Value	Unit
HBA housing		
Material	Plastic (Polycarbonate)	
Color	Grey RAL 7040	
Operating temperature	0 to +50	°C
Storage temperature	-20 to +50	°C
Degree of protection according to EN 60529/NEMA	IP 65 / 250-12	
Connection	Spiral cable, expandable to 3.5 m, 23-pin plug connector	
Weight	approx. 1.3	kg
Handwheel		
Pulse / Revolution	100	
Distribution voltage	5 ± 5%	V DC
Output specifications	RS422A	
EMERGENCY-STOP		
Norm	EN 418	
Switching element	2 x NC contact	
Utilization category according to IEC 60947-5-1	DC-13, U _e 24 V, I _e 3 A	
Enabling switch		
Switching element	1 x No contact	
Resistive load	30 V AC / 0.4 A; 30 V DC / 0.1 A	
Selector switch		
Output code	see circuit plan	
Maximum switching voltage	30	V DC
Maximum switching current	200	mA
Maximum switching capacity	1	W
Pushbutton		
Switching elements	6, one per NO contact	
Maximum switching voltage	30	V DC
Maximum switching current	100	mA
Maximum switching capacity	1	W

Circuit plan



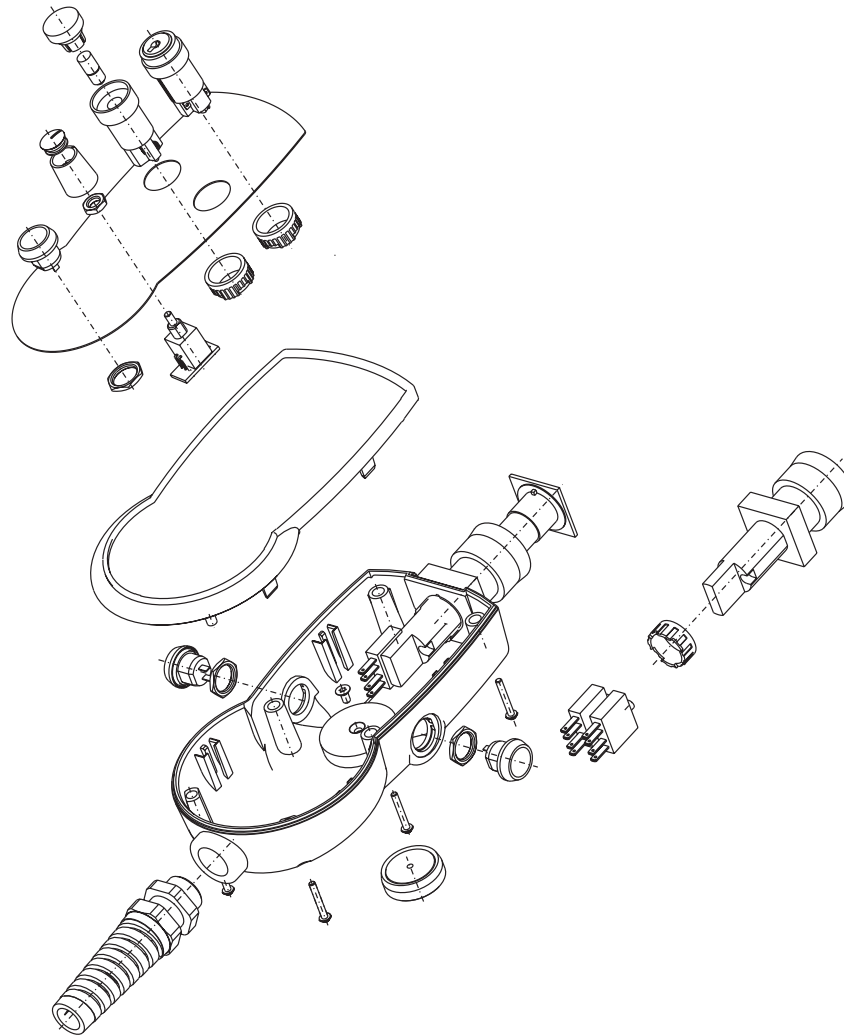
HBA Hand-Held Pendant Station

EUCHNER

Hand-held pendant station kit

► HBA kit without handwheel

The three designs without handwheel comprise the cable glands and mounting magnets. In addition to the basic HBA housing, two other similar designs with an emergency assembly option and enabling switches are available.



The kit is designed to match individual customer specifications. Thanks to its modular configuration, you can construct prototypes and special versions in line with your requirements.

Front plates to match the housings are supplied in aluminum, silver and black anodized.

Customer-specific functionality can be created by using the components supplied in the kit (pushbutton, selector switch, key-operated rotary switch, etc).

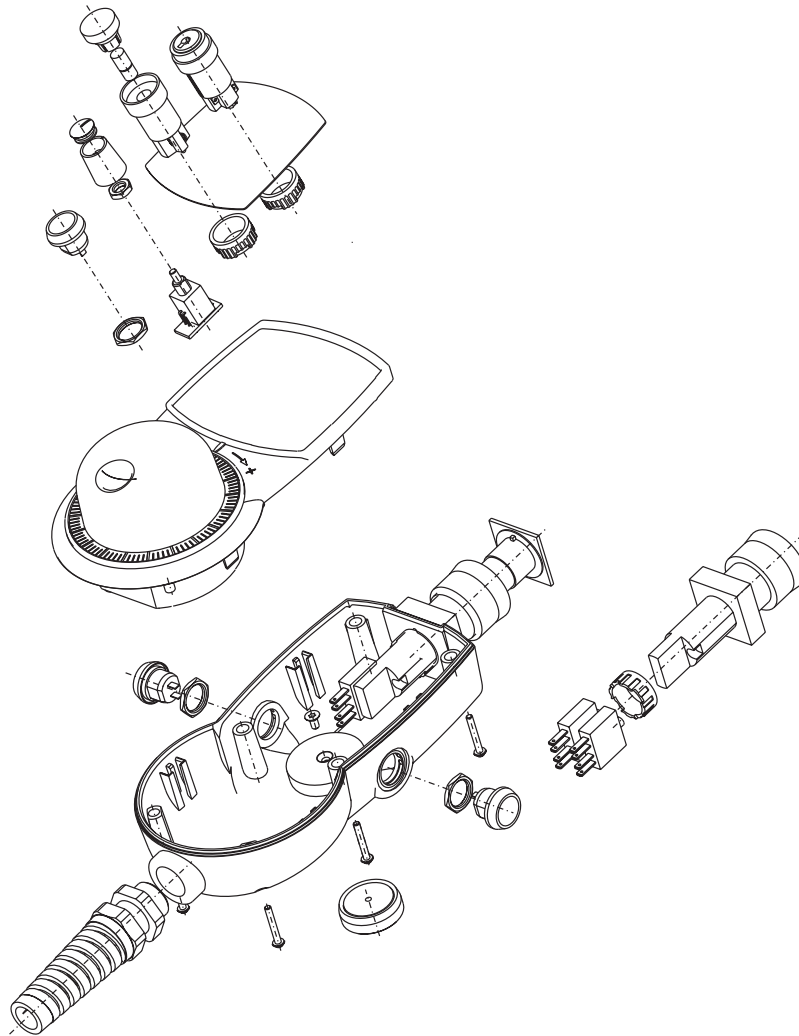
For connection to the parent application, cables with different numbers of wires, plug connectors and the relevant flange sockets are available.

HBA Hand-Held Pendant Station

EUCHNER

► HBA kit with handwheel

The four designs with handwheels are distinguished by the output stages of the handwheels and are adapted to diverse controls.

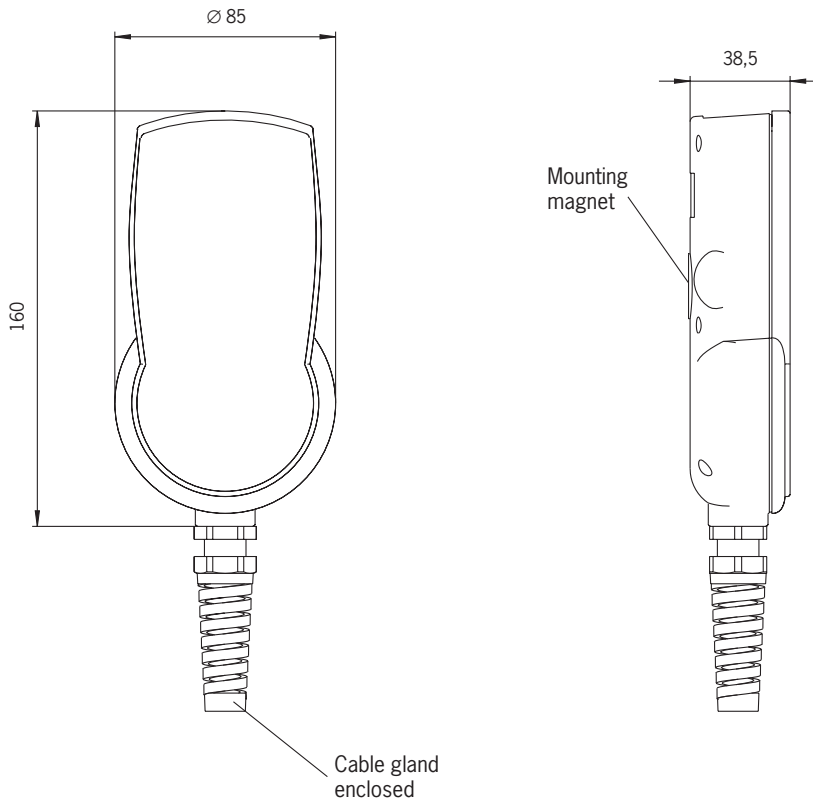


HBA Hand-Held Pendant Station

EUCHNER

HBA housing without handwheel, design 1

Dimension drawing



Notes

- ▶ Enclosed is a cable gland suitable for a cable of diameter 5 - 10 mm
- ▶ Plastic-coated mounting magnet on the rear of housing
- ▶ 6 fixing domes for printed board assembly in top shell
- ▶ Matching front plate, see page 25

Technical data

Parameters	Value	Unit
HBA housing		
Material	Plastic (Polycarbonate)	
Color	Grey RAL 7040	
Ambient temperature	0 to +50	°C
Degree of protection according to EN 60529	to IP 65	
Weight	0.3	kg

Ordering table

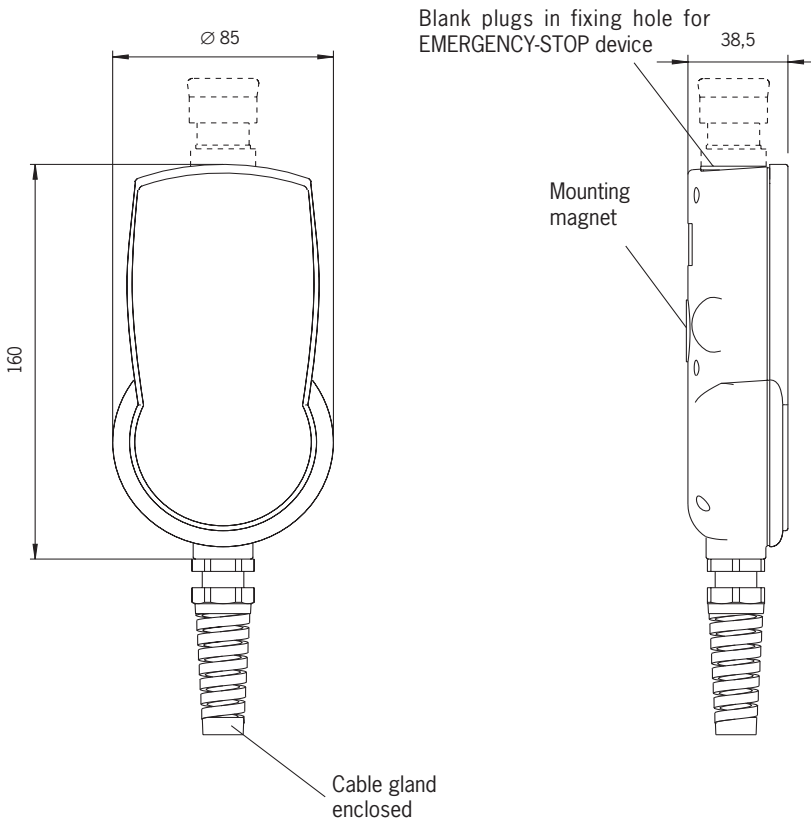
Design	Article	Order No.
1	HBA housing without handwheel, with mounting magnet and cable gland	084 445

HBA Hand-Held Pendant Station

EUCHNER

HBA housing without handwheel, design 2

Dimension drawing



Notes

- ▶ Fixing hole for EMERGENCY-STOP device (sealed with blank plugs)
- ▶ Enclosed is a cable gland suitable for a cable of diameter 5 - 10 mm
- ▶ Plastic-coated mounting magnet on the rear of housing
- ▶ 6 fixing domes for printed board assembly in top shell
- ▶ Matching front plate, see page 25

Technical data

Parameters	Value	Unit
HBA housing		
Material	Plastic (Polycarbonate)	
Color	Grey RAL 7040	
Ambient temperature	0 to +50	°C
Degree of protection according to EN 60529	to IP 65	
Weight	0.3	kg

Ordering table

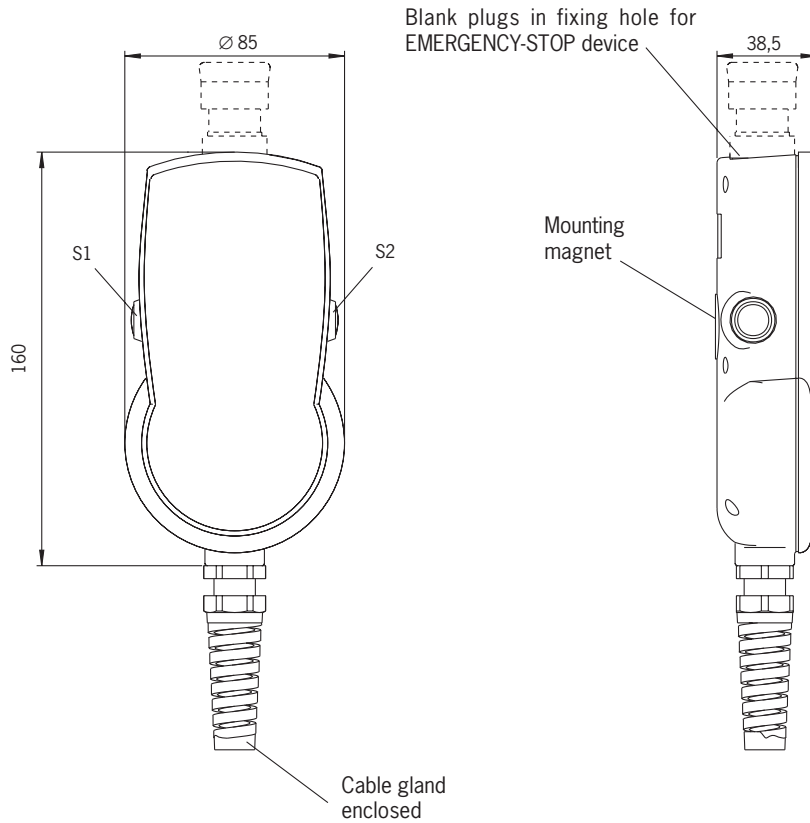
Design	Article	Order No.
2	HBA housing without handwheel, with mounting magnet Fixing hole for EMERGENCY-STOP device and cable gland	084 450

HBA Hand-Held Pendant Station

EUCHNER

HBA housing without handwheel, design 3

Dimension drawing



Notes

- ▶ Fixing hole for EMERGENCY-STOP device (sealed with blank plugs)
- ▶ 2 enabling switches, one per NO contact
- ▶ Enclosed is a cable gland suitable for a cable of diameter 5 - 10 mm
- ▶ Plastic-coated mounting magnet on the rear of housing
- ▶ 6 fixing domes for printed board assembly in top shell
- ▶ Matching front plate, see page 25

Technical data

Parameters	Value	Unit
HBA housing		
Material	Plastic (Polycarbonate)	
Color	Grey RAL 7040	
Operating temperature	0 to +50	°C
Storage temperature	-20 to +50	°C
Degree of protection according to EN 60529	to IP 65	
Weight	0.3	kg
Enabling switch		
Switching element	1 x NO contact	
Resistive load	30 V AC / 0.4 A; 30 V DC / 0.1 A	

Ordering table

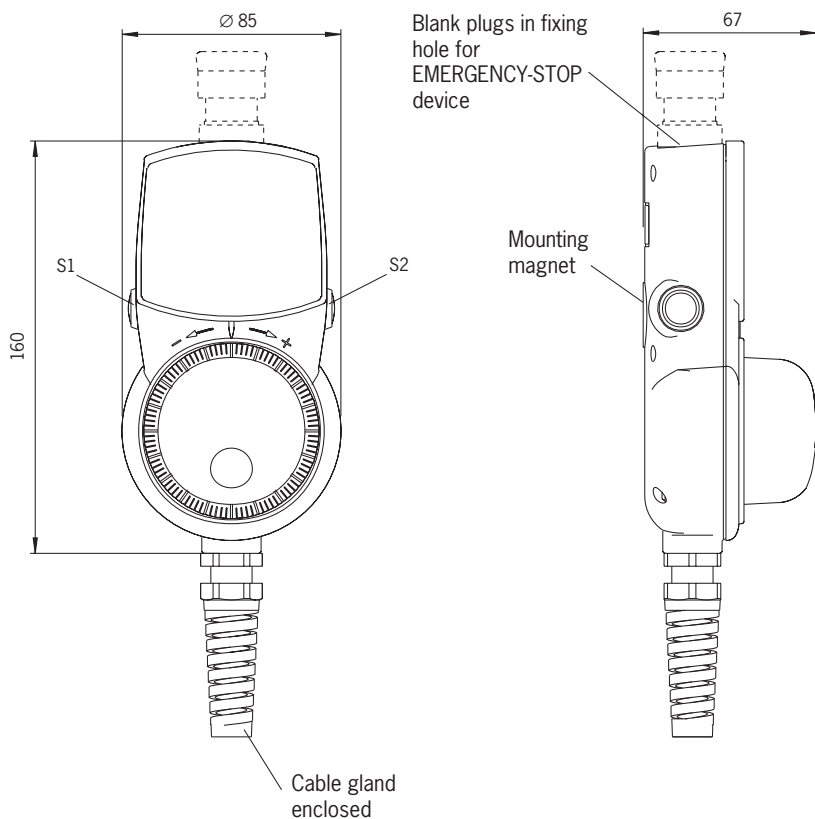
Design	Article	Order No.
3	HBA housing without handwheel, with mounting magnet, fixing hole for EMERGENCY-STOP device, 2 enabling switches, each with one NO contact and cable gland	086 155

HBA Hand-Held Pendant Station



HBA housing with handwheel, design 1

Dimension drawing

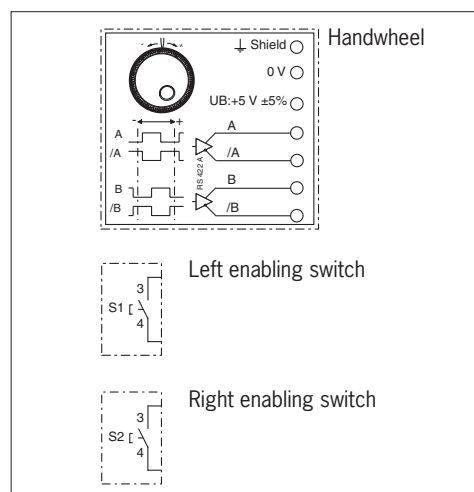


Notes

- ▶ Integrated HKA handwheel with 100 pulses per revolution
- ▶ Fixing hole for EMERGENCY-STOP device (sealed with blank plugs)
- ▶ 2 enabling switches, one per NO contact
- ▶ Enclosed is a cable gland suitable for a cable of diameter 5 - 10 mm
- ▶ Plastic-coated mounting magnet on the rear of housing
- ▶ 6 fixing domes for printed board assembly in top shell
- ▶ Matching front plate, see page 26

Circuit plan

for Siemens controls with RS422 handwheel interface



Technical data

Parameters	Value	Unit
HBA housing		
Material	Plastic (Polycarbonate)	
Color	Grey RAL 7040	
Operating temperature	0 to +50	°C
Storage temperature	-20 to +50	°C
Degree of protection according to EN 60529	to IP 65	
Weight	0.3	kg
Handwheel		
Pulse / Revolution	100	
Distribution voltage	5 ± 5%	V DC
Output specifications	RS422A	
Enabling switch		
Switching element	1 x NO contact	
Resistive load	30 V AC / 0.4 A; 30 V DC / 0.1 A	

Ordering table

Design	Article	Order No.
1	HBA housing with handwheel, with mounting magnet, fixing hole for EMERGENCY-STOP device, 2 enabling switches, each with one NO contact and cable gland	083 449

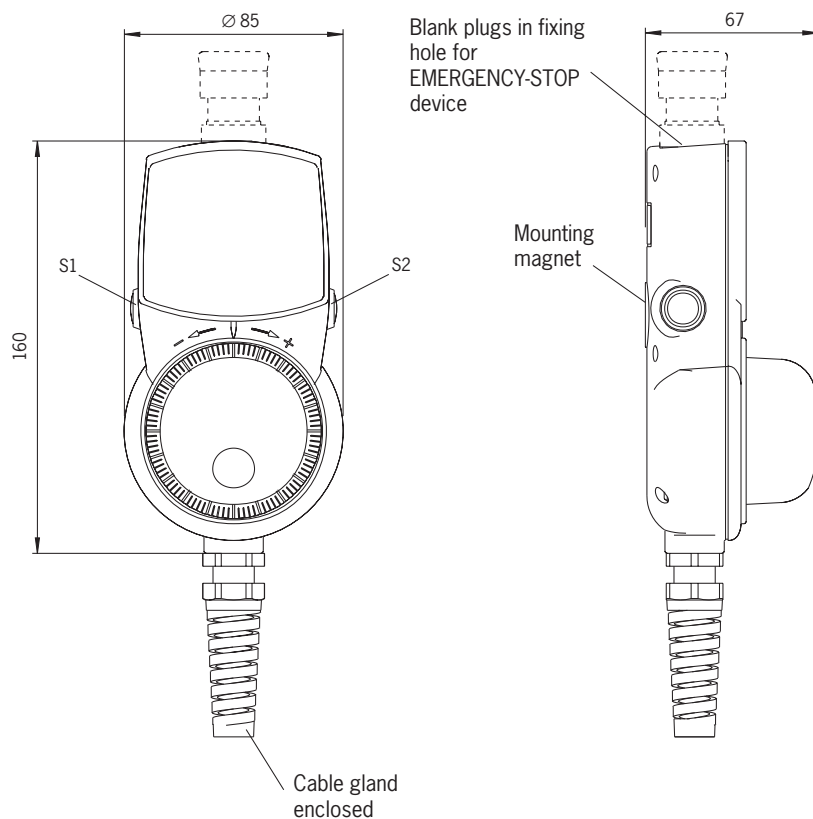


HBA Hand-Held Pendant Station

EUCHNER

HBA housing with handwheel, design 2

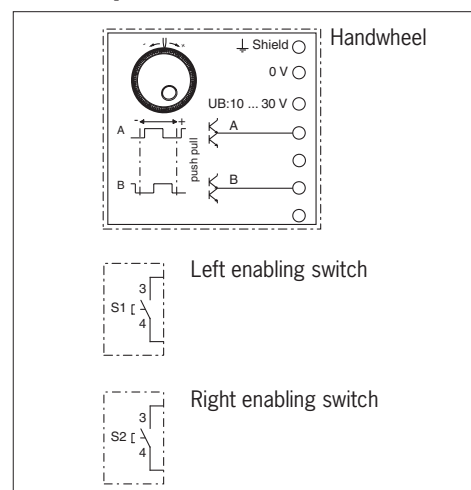
Dimension drawing



Notes

- ▶ Integrated HKA handwheel with 25 pulses and 100 detents per revolution
- ▶ Fixing hole for EMERGENCY-STOP device (sealed with blank plugs)
- ▶ 2 enabling switches, one per NO contact
- ▶ Enclosed is a cable gland suitable for a cable of diameter 5 - 10 mm
- ▶ Plastic-coated mounting magnet on the rear of housing
- ▶ 6 fixing domes for printed board assembly in top shell
- ▶ Matching front plate, see page 26

Circuit plan



Technical data

Parameters	Value	Unit
HBA housing		
Material	Plastic (Polycarbonate)	
Color	Grey RAL 7040	
Operating temperature	0 to +50	°C
Storage temperature	-20 to +50	°C
Degree of protection according to EN 60529	to IP 65	
Weight	0.3	kg
Handwheel		
Pulse / Revolution	25	
Distribution voltage	10 ... 30	V DC
Output circuit	5 V push-pull	
Output voltage / output current	HIGH, min. 3.9 V at 5 mA / 3.6 V at 20 mA LOW, max. 0.5 V at 20 mA	
Enabling switch		
Switching element	1 x NO contact	
Resistive load	30 V AC / 0.4 A; 30 V DC / 0.1 A	

Ordering table

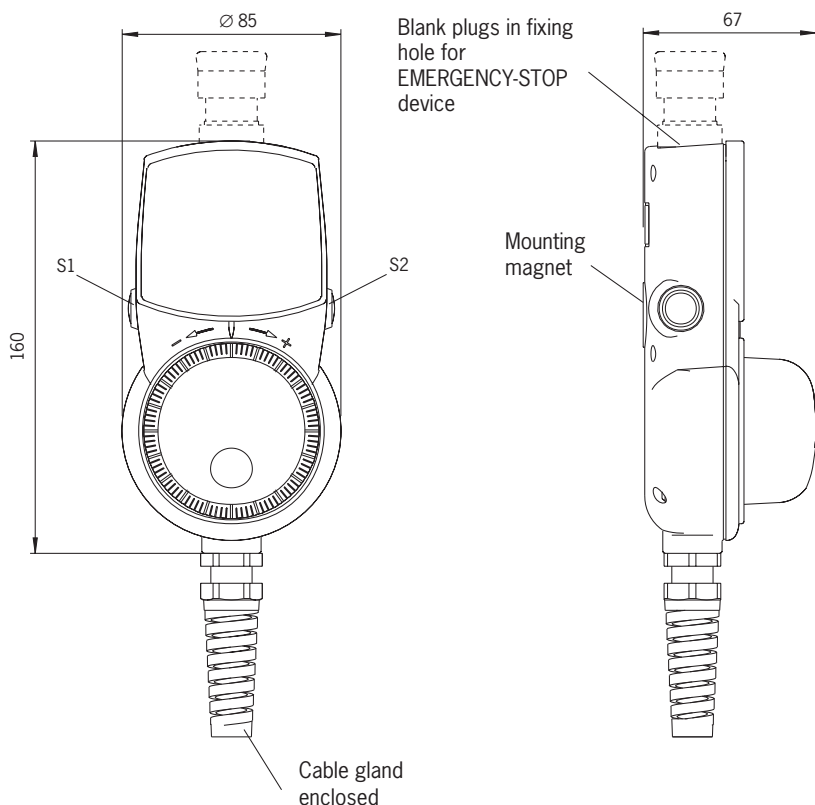
Design	Article	Order No.
2	HBA housing with handwheel, mounting magnet, fixing hole for EMERGENCY-STOP device, 2 enabling switches, each with one NO contact and cable gland	083 499

HBA Hand-Held Pendant Station

EUCHNER

HBA housing with handwheel, design 3

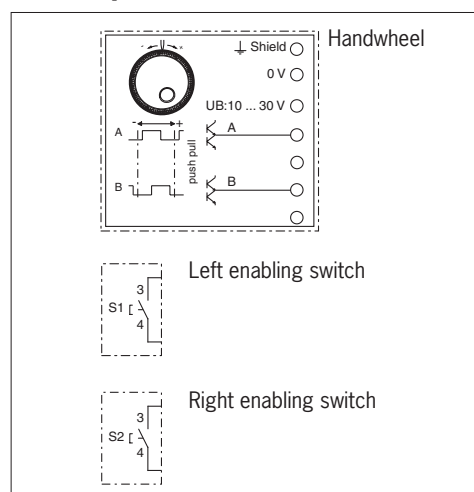
Dimension drawing



Notes

- ▶ Integrated HKA handwheel with 100 pulses per revolution
- ▶ Fixing hole for EMERGENCY-STOP device (sealed with blank plugs)
- ▶ 2 enabling switches, one per NO contact
- ▶ Enclosed is a cable gland suitable for a cable of diameter 5 - 10 mm
- ▶ Plastic-coated mounting magnet on the rear of housing
- ▶ 6 fixing domes for printed board assembly in top shell
- ▶ Matching front plate, see page 26

Circuit plan



Technical data

Parameters	Value	Unit
HBA housing		
Material	Plastic (Polycarbonate)	
Color	Grey RAL 7040	
Operating temperature	0 to +50	°C
Storage temperature	-20 to +50	°C
Degree of protection according to EN 60529	to IP 65	
Weight	0.3	kg
Handwheel		
Pulse / Revolution	100	
Distribution voltage	10 ... 30	V DC
Output circuit	24 V push-pull	
Output voltage / output current	HIGH, min. U _B -3 V at 20 mA LOW, max. 3 V at 20 mA	
Enabling switch		
Switching element	1 x NO contact	
Resistive load	30 V AC / 0.4 A; 30 V DC / 0.1 A	

Ordering table

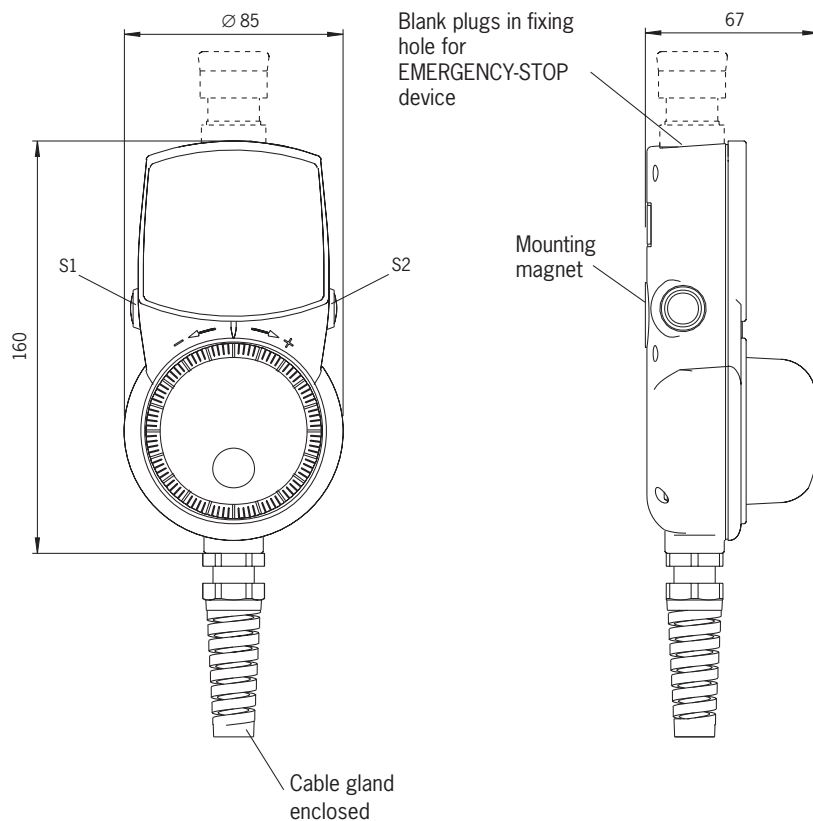
Design	Article	Order No.
3	HBA housing with handwheel, mounting magnet, fixing hole for EMERGENCY-STOP device, 2 enabling switches, each with one NO contact and cable gland	083 495

HBA Hand-Held Pendant Station

EUCHNER

HBA housing with handwheel, design 4

Dimension drawing

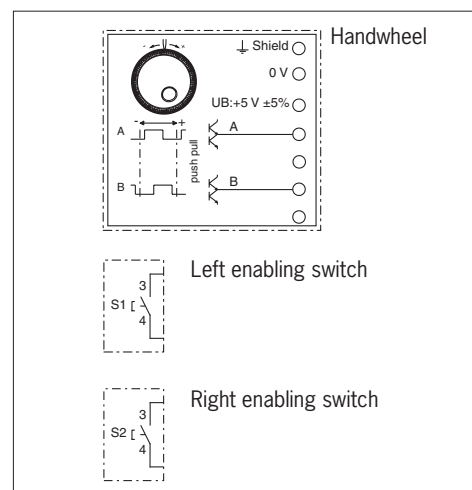


Notes

- ▶ Integrated HKA handwheel with 100 pulses per revolution
- ▶ Fixing hole for EMERGENCY-STOP device (sealed with blank plugs)
- ▶ 2 enabling switches, one per NO contact
- ▶ Enclosed is a cable gland suitable for a cable of diameter 5 - 10 mm
- ▶ Plastic-coated mounting magnet on the rear of housing
- ▶ 6 fixing domes for printed board assembly in top shell
- ▶ Matching front plate, see page 26

Circuit plan

for Fanuc controls with push-pull handwheel interface



Technical data

Parameters	Value	Unit
HBA housing		
Material	Plastic (Polycarbonate)	
Color	Grey RAL 7040	
Operating temperature	0 to +50	°C
Storage temperature	-20 to +50	°C
Degree of protection according to EN 60529	to IP 65	
Weight	0.3	kg
Handwheel		
Pulse / Revolution	100	
Distribution voltage	5 ± 5%	V DC
Output circuit	5 V push-pull	
Output voltage / output current	HIGH, min. 4.0 V at 0 mA / 3.3 V at 6 mA / 3.0 V at 20 mA LOW, max. 0.5 V at 20 mA	
Enabling switch		
Switching element	1 x NO contact	
Resistive load	30 V AC / 0.4 A; 30 V DC / 0.1 A	

Ordering table

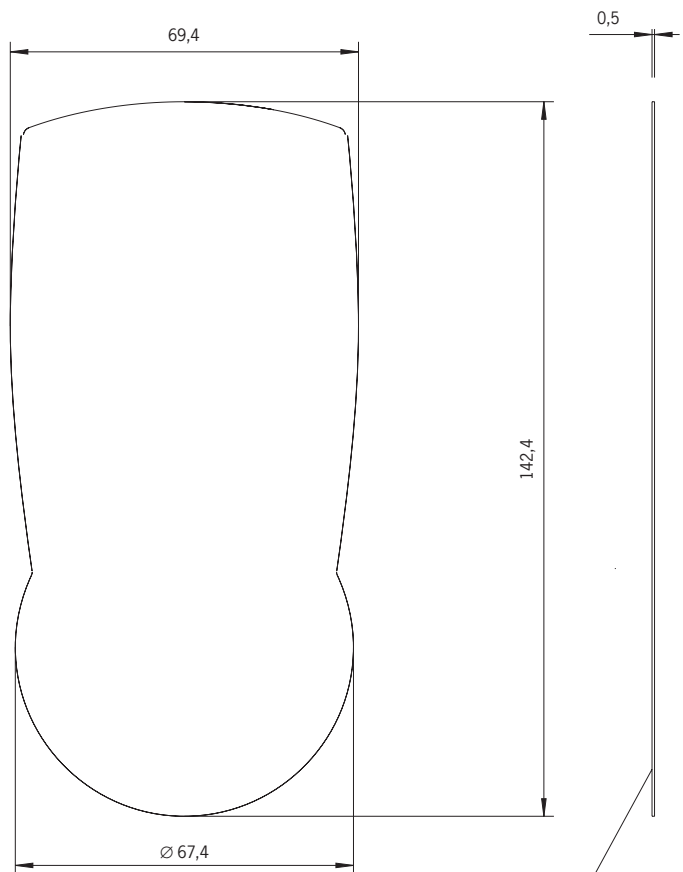
Design	Article	Order No.
4	HBA housing with handwheel, mounting magnet, fixing hole for EMERGENCY-STOP device, 2 enabling switches, each with one NO contact and cable gland	086 762

HBA Hand-Held Pendant Station

EUCHNER

Front plate for HBA housing without handwheel

Dimension drawing



Rear is coated so as to be self-adhesive

Notes

- ▶ Matching the HBA housing without handwheel (see pages 18 to 20)
- ▶ An illustrative file for customized front plates is available (e.g. in Internet at www.euchner.de).

Technical data

Material	
Front plate	Electrically anodized aluminum, black or silver Rear is coated so as to be self-adhesive

Ordering table

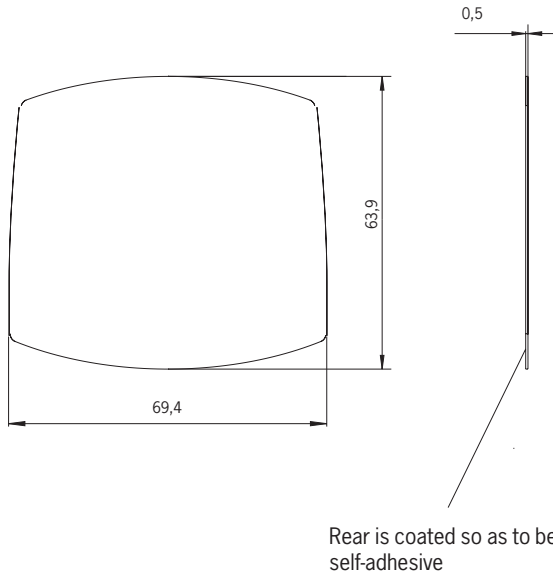
Article	Order No.
Front plate for HBA housing without handwheel, bright anodized	084 395
Front plate for HBA housing without handwheel, black anodized	084 396

HBA Hand-Held Pendant Station

EUCHNER

Front plate for HBA housing with handwheel

Dimension drawing



Notes

- ▶ Matching the HBA housing without handwheel (see pages 21 to 24)
- ▶ An illustrative file for customized front plates are available (e.g. in Internet under www.euchner.de).

Technical data

Material	
Front plate	Electrically anodized aluminum, black or silver Rear is coated so as to be self-adhesive

Ordering table

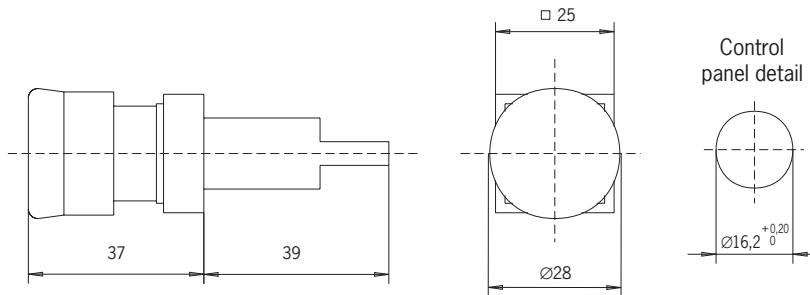
Article	Order No.
Front plate for HBA housing with handwheel, bright anodized	083 635
Front plate for HBA housing with handwheel, black anodized	083 636

HBA Hand-Held Pendant Station

EUCHNER

EMERGENCY-STOP device with pull release according to EN 418

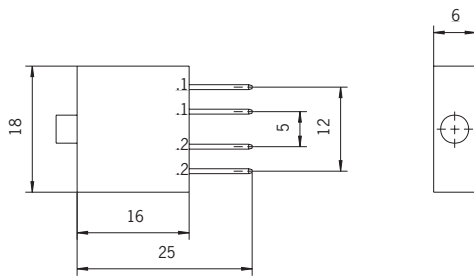
Actuator element



Notes

- ▶ The EMERGENCY-STOP device engages when actuated by pressing, unlocks when pulled, and is overload-proof
- ▶ Is used only for HBA housing without handwheel design 2/3 and all HBA housings with handwheel

Switching element



Notes

- ▶ 2 switching elements can be deployed per actuator element

Technical data

Parameters	Value	Unit
Actuator element		
Color of actuating buttons	red	
Color of bottom shell	yellow	
Maximum number of switching elements	2	
Degree of protection	IP 65	
Switching element		
Contact element	1 x positive opening	
Utilization category according to IEC 947-5-1	DC-13 U _e 24 V I _e 3 A	

Ordering table

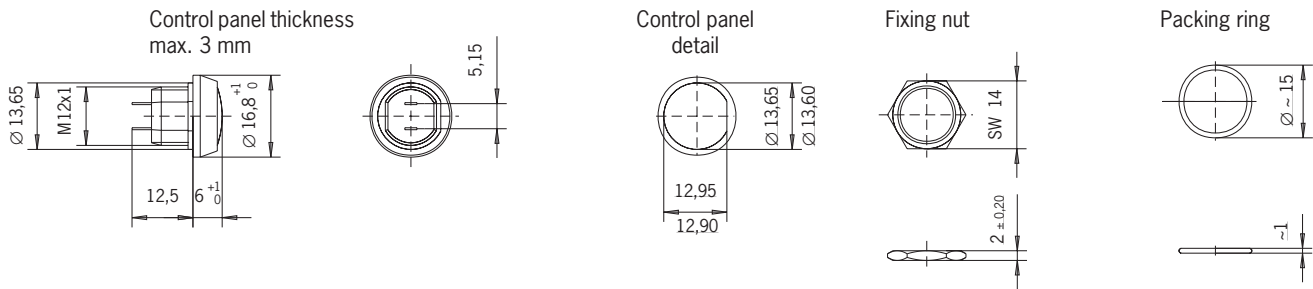
Article	Order No.
EMERGENCY-STOP actuator element, pull release	083 637
EMERGENCY-STOP switching element, 1 positive opening	083 638
Blank plugs in fixing hole for EMERGENCY-STOP device	083 653

HBA Hand-Held Pendant Station

EUCHNER

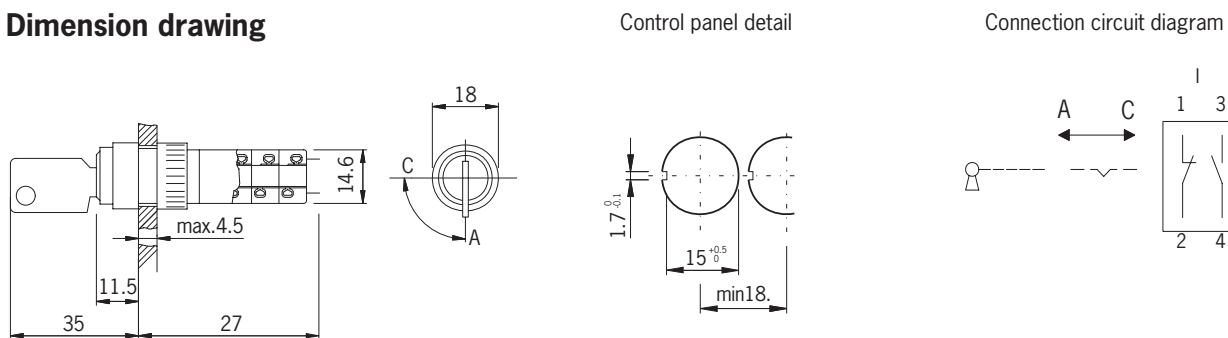
Pushbutton

Dimension drawing



Key-operated rotary switch

Dimension drawing



Technical data

Parameters	Value	Unit
Pushbutton		
Ambient temperature	-25 to +70	°C
Frontal protective type (integrated in front plate)	to IP 67	
Switching principle	Snap switch element	
Switching element	1 x NO contact	
Maximum switching current	0.1	A
Switching voltage	30	V DC
Contact resistance (in new status)	≤ 50	mΩ
Connection type	Soldered connection	
Key-operated rotary switch		
Ambient temperature	-25 to +55	°C
Frontal protective type (integrated in front plate)	IP 65	
Switching principle	Snap switch element	
Switching element	1 x NO contact, 1 x NC contact	
Maximum switching current	5	A
Maximum switching voltage	30	V AC/DC
Contact resistance (in new status)	≤ 50	mΩ
Connection type	Soldered connection	

Ordering table

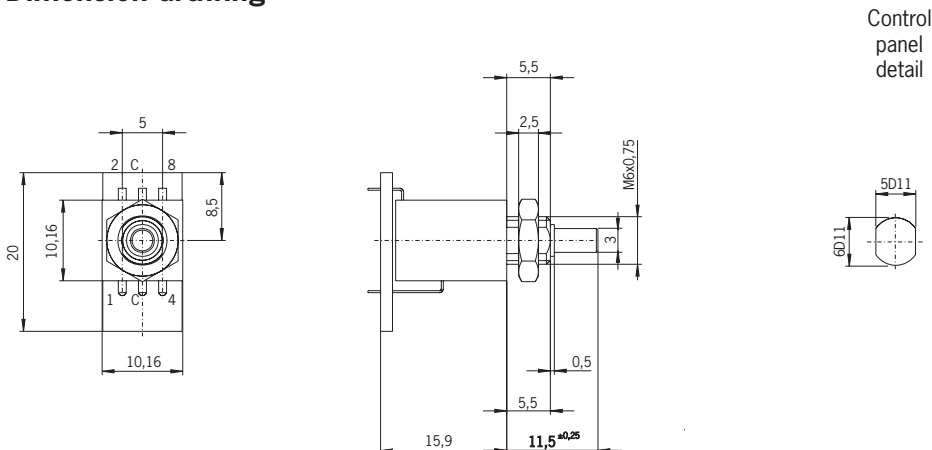
Article	Order No.
Pushbutton, black key	083 640
Pushbutton, red key	086 753
Pushbutton, green key	086 754
Pushbutton, blue key	086 757
Pushbutton, white key	086 755
Key-operated rotary switch	083 639

HBA Hand-Held Pendant Station

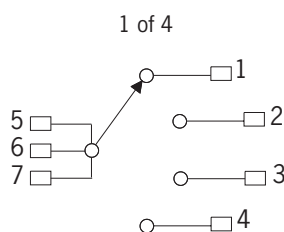
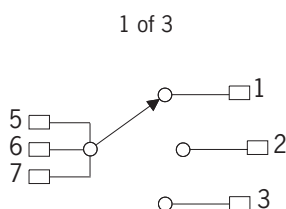
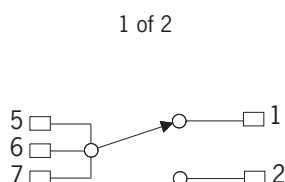


Selector switch 1 of X

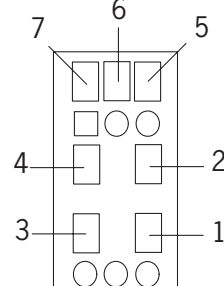
Dimension drawing



Output circuit board



View of soldered side



Technical data

Parameters	Value	Unit
Frontal protective type (integrated in front plate)	to IP 68	
Single-hole bush mounting	M6 x 0.75	
Detent positions	2, 3 or 4, depending on type	
Switching angle	36	°
Output code	1 of 2, 1 of 3 or 1 of 4, depending on type	
Maximum switching capacity	5	VA
Maximum switching current	0.2	A
Maximum switching voltage	30	V AC/DC
Contact resistance (in new status)	≤ 50	mΩ
Connection type	Soldered connection on printed board	
Maximum soldering time (soldering copper 16 W)	≤ 5 (at t ≤ 260 °C)	s

Ordering table

Article	Order No.
Selector switch, 2 detent positions, 1 of 2, batch-type	083 668
Selector switch, 3 detent positions, 1 of 3, batch-type	083 669
Selector switch, 4 detent positions, 1 of 4, batch-type	083 670

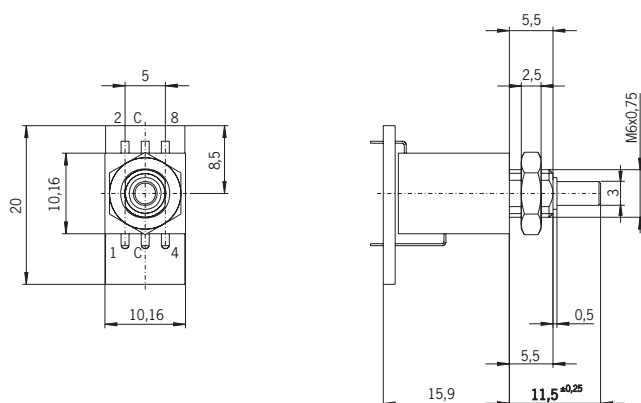


HBA Hand-Held Pendant Station

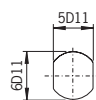
EUCHNER

Grey code selector switch

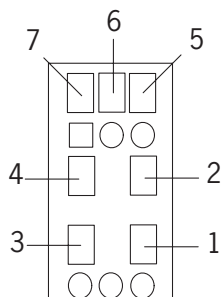
Dimension drawing



Control panel detail



View of soldered side



Connections 1 - 4: Switch outputs
Connections 5 - 7: Power supply

Output circuit board

Detent position	Output			
	4	3	2	1
1	0	0	0	0
2	0	0	0	1
3	0	0	1	1
4	0	0	1	0
5	0	1	1	0
6	0	1	1	1
7	0	1	0	1
8	0	1	0	0
9	1	1	0	0
10	1	1	0	1
11	1	1	1	1
12	1	1	1	0
13	1	0	1	0
14	1	0	1	1
15	1	0	0	1
16	1	0	0	0

Between the detent positions, all outputs are connected to the operating current.

Technical data

Parameters	Value	Unit
Frontal protective type (integrated in front plate)	to IP 68	
Single-hole bush mounting	M6 x 0.75	
Detent positions	5, 6, 7, 8, 12 or 16, depending on type	
Switching angle	22.5	°
Output code	Grey code	
Maximum switching capacity	5	VA
Maximum switching current	0.2	A
Maximum switching voltage	30	V AC/DC
Contact resistance (in new status)	≤ 50	mΩ
Connection type	Soldered connection on printed board	
Maximum soldering time (soldering copper 16 W)	≤ 5 (at t ≤ 260 °C)	s

Ordering table

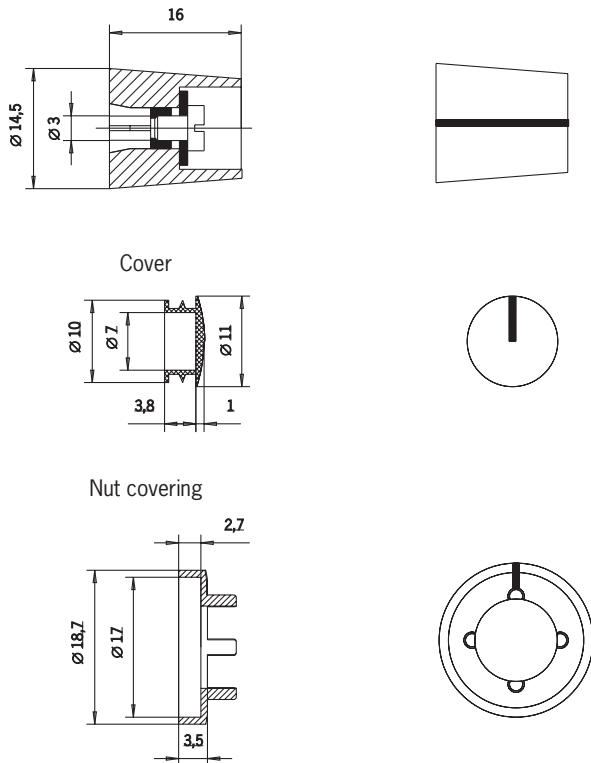
Article	Order No.
Selector switch, 5 detent positions, grey code, short-circuited	083 671
Selector switch, 6 detent positions, grey code, short-circuited	083 672
Selector switch, 7 detent positions, grey code, short-circuited	083 673
Selector switch, 8 detent positions, grey code, short-circuited	083 674
Selector switch, 12 detent positions, grey code, short-circuited	083 675
Selector switch, 16 detent positions, grey code, short-circuited	083 676

HBA Hand-Held Pendant Station

EUCHNER

Rotary knob

Dimension drawing



Scope of delivery

- ▶ Rotary knob with cover and nut covering

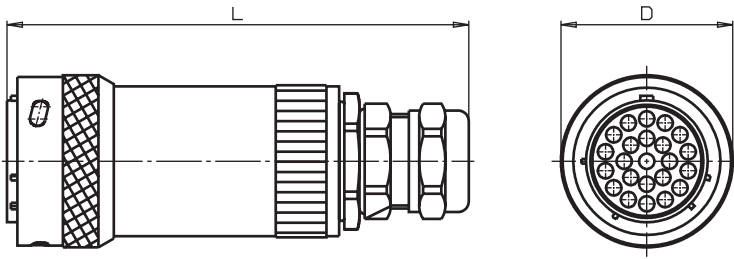
Ordering table

Article	Order No.
Rotary knob, matt grey with a marking, collet mounting for axis 3 mm	083 643
Rotary knob, matt black with a marking, collet mounting for axis 3 mm	083 645

HBA Hand-Held Pendant Station

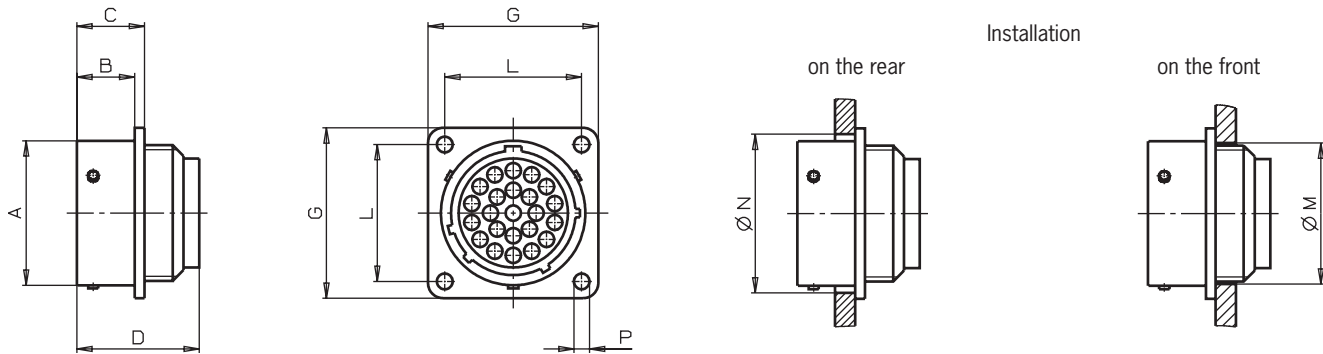
EUCHNER

Plug connector



Number of pins	D	Cable-Ø
35	40.2	8.0 - 12.0
28	37.2	8.0 - 12.0
23	33.9	6.0 - 10.0
12	27.5	5.5 - 9.5

Flange sockets



Number of pins	A	B _{max.}	C _{max.}	D _{max.}	G _{max.}	L	M	N	P
35	34.9	14.6	17.3	25.7	39.9	31.8	34.1	37.7	3.1
28	31.7	14.6	17.3	25.7	36.8	29.4	30.9	34.5	3.1
23	28.5	11.4	13.3	24.1	33.6	27	27.8	31.3	3.1
12	22.2	11.4	13.3	24.1	28.8	22.9	21.4	25	3.1

Technical data

Parameters	Value	Unit
Connecting plug/Flange socket		
Housing material	Metal	
Number of pins	12 / 23 / 28 / 35	
Degree of protection according to EN 60529 (inserted)	to IP 65	
Contact material	0.4 µ Gold	

Ordering table

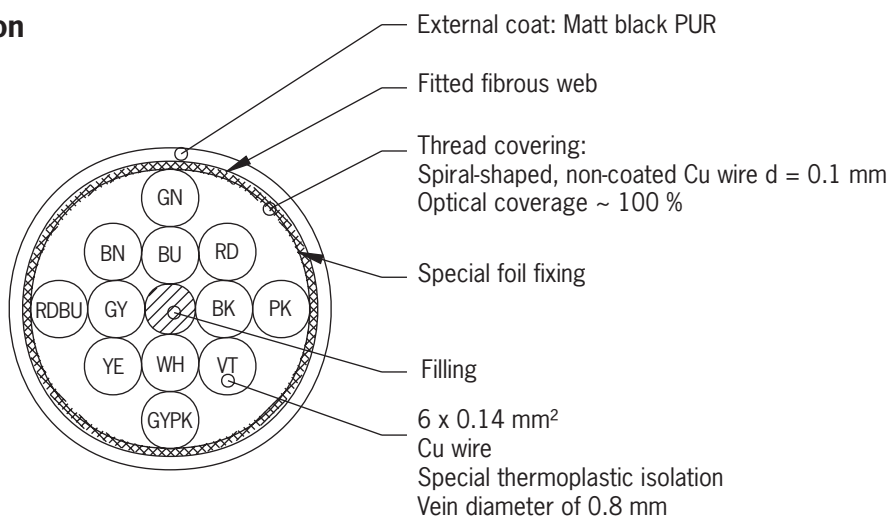
Article	Order No.
Plug connector, 35-pin with pin contacts	074 395
Plug connector, 28-pin with pin contacts	074 394
Plug connector, 23-pin with pin contacts	074 393
Plug connector, 12-pin with pin contacts	086 748
Flange socket, 35-pin with socket contacts	074 386
Flange socket, 28-pin with socket contacts	074 385
Flange socket, 23-pin with socket contacts	074 384
Flange socket, 12-pin with socket contacts	086 749

HBA Hand-Held Pendant Station

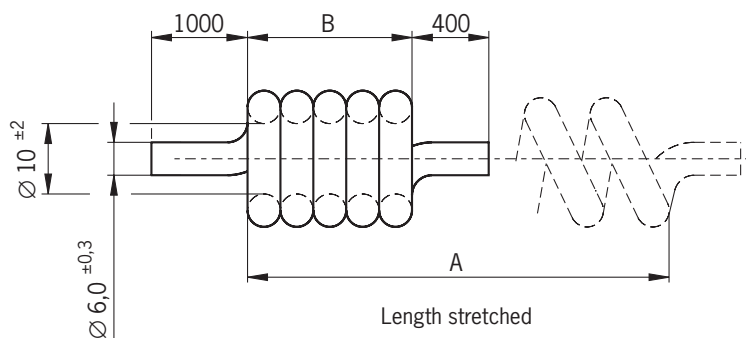


Spiral-shaped and straight 12-pole cable

View of cable cross-section



Dimensions of spiral-shaped design



Ordering table

Article	Cable length [mm]	A [mm]	B [mm]	Order No.
12-veined, spiral-shaped cable	3900	approx. 2500	550 ± 20	086 721
12-veined, spiral-shaped cable	5400	approx. 4000	880 ± 20	086 722
12-veined, straight cable	3500	-	-	087 379
12-veined, straight cable	5000	-	-	087 380
12-veined, straight cable	10000	-	-	087 381

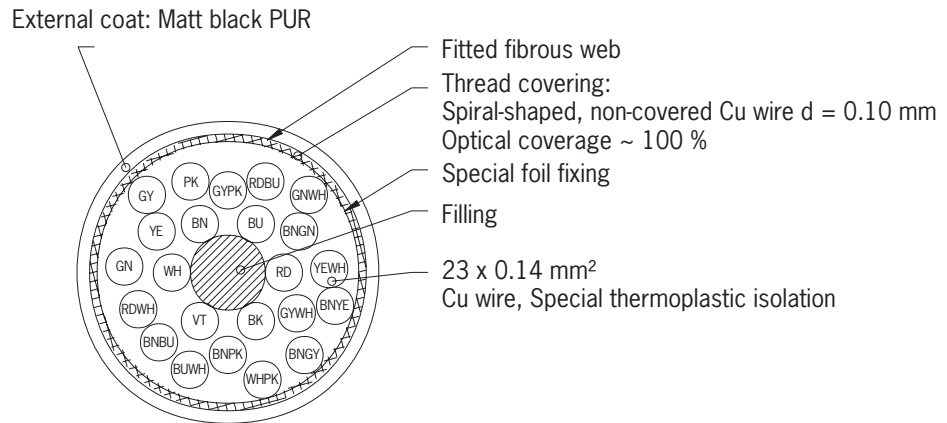


HBA Hand-Held Pendant Station

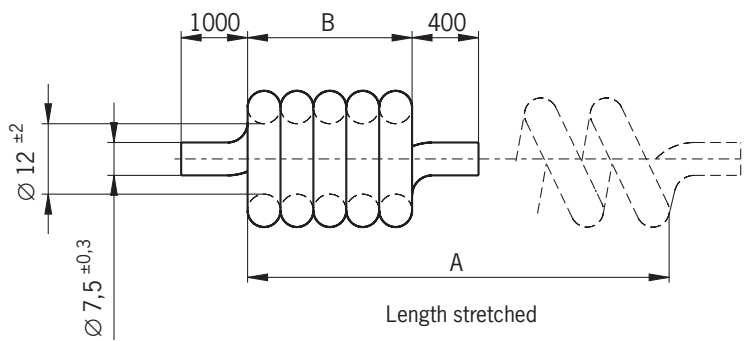
EUCHNER

Spiral-shaped and straight 23-pole cable

View of cable cross-section



Dimensions



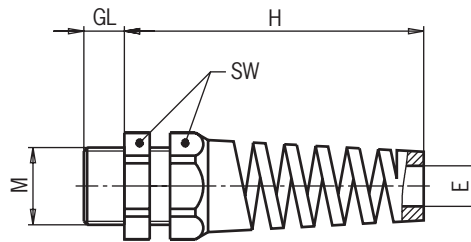
Ordering table

Article	Cable length [mm]	A [mm]	B [mm]	Order No.
23-veined, spiral-shaped cable	3900	approx. 2500	550 ± 20	087 408
23-veined, spiral-shaped cable	5400	approx. 4000	880 ± 20	087 409
23-veined, straight cable	3500	-	-	087 382
23-veined, straight cable	5000	-	-	087 383
23-veined, straight cable	10000	-	-	087 384

HBA Hand-Held Pendant Station

EUCHNER

Cable gland with anti-kink spiral

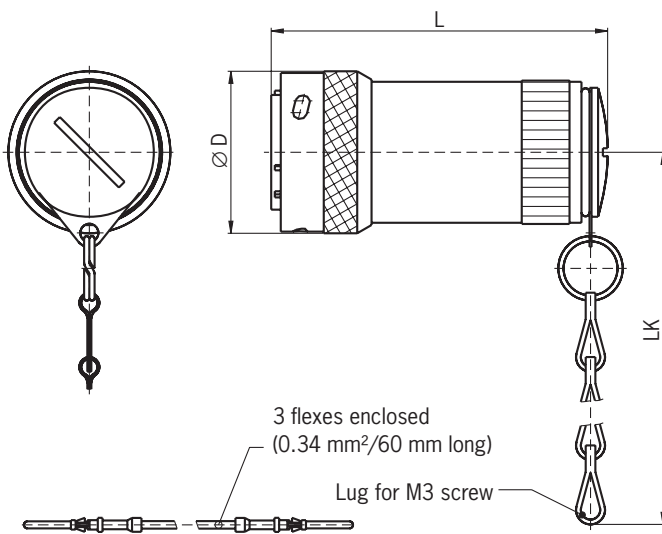


M	Cable diameter	SW	GL	H	E _{min.}	E _{max.}
M16x1.5	5 - 10	22	8	71	5	10

Ordering table

Article	Order No.
M16x1 cable gland, 5 with anti-kink spiral and fixing nut, black color	083 641

Short-circuit plug



Number of pins	D	L	LK
35	40.2	84	255
28	37.2	78	255
23	33.9	72	252
12	27.5	59.4	251

Ordering table

Article	Order No.
Short-circuit plug with chain, 35-pin	083 459
Short-circuit plug with chain, 28-pin	083 458
Short-circuit plug with chain, 23-pin	083 457
Short-circuit plug with chain, 12-pin	087 802

HBA Hand-Held Pendant Station

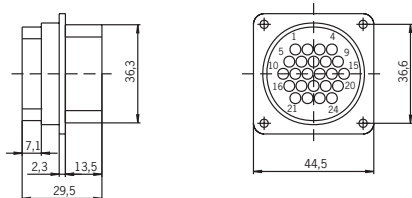
EUCHNER

Accessories

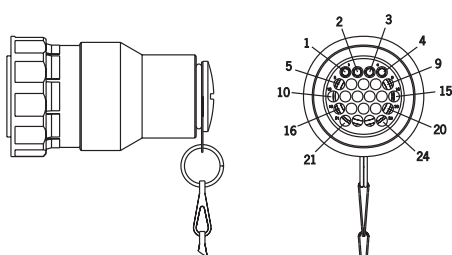
Connection kit

for HBA design - 072 910, consisting of 24-pin connection box and short-circuit plug

24-pin connection box



24-pin short-circuit plug for 24-pin flange socket (Bridged pin 1 with pin 4 and pin 2 with pin 3)



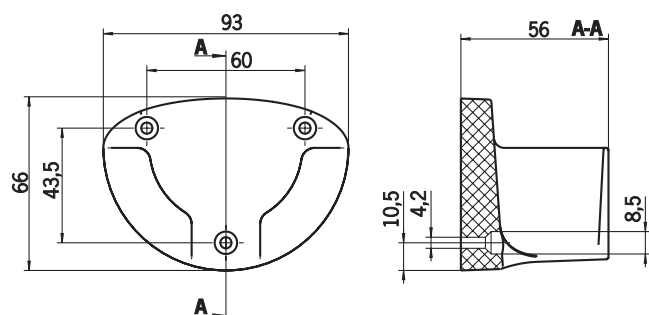
Technical data

Parameters	Value
ConnectionBox	
Housing material	Plastic
Number of pins	24
Degree of protection according to EN 60529 (inserted)	IP 65
Contact material	Copper base alloy
Short-circuit plug	
Housing material	Plastic
Number of pins	24
Degree of protection according to EN 60529 (inserted)	IP 65
Contact material	Copper base alloy

Ordering table

Article	Order No.
Connection box and short-circuit plug	072 937

HBA holder



Technical data

Parameters	Value	Unit
Housing material	plastic	
Fixing system	Screws	
Ambient temperature	-5 to +60	°C
Weight	approx. 0.1	kg

Ordering table

Article	Order No.
HBA holder	072 828

Appendix

- ▶ Customized hand-held pendant stations
- ▶ HBA top shell with domes and EMERGENCY-STOP position

HBA Hand-Held Pendant Station



Request form for HBA hand-held pendant stations without handwheels

Customer			
Company		Telephone	
Address		Telefax	
		E-mail	
Name		Department	
Surname		Date	

Housing

Basic Housing
 with hole for Emergency Stop
 with hole for Emergency Stop and 2 Enabling switches

Front foil

EUCHNER standard colors
 customized, see appendix

Logo

without EUCHNER
 customized appendix: label of the logo

Push button

without membrane push buttons, number: _____
 push buttons, number: _____
 not illuminated
 illuminated

Key-operated Rotary Switch

without
 with

Lamp/LED

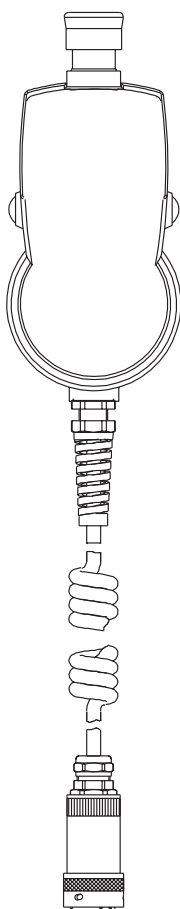
without
 customized, see appendix

Cable

spiral-shaped cable, expandable to 3.5 m
 spiral-shaped cable, expandable to 5.0 m
 straight: _____ m

Connector

Burndy metal
 Coninvers metal
 other: _____
 without connector



Emergency Stop

Moeller (pull to unlock) without Emergency Stop
 2 x NC
 1 X NC

Enabling switch

1 NO left and right
 1 NO/NC left and right
 without enabling switch

Selector switch 1

___ positions gray-code
 ___ positions 1 of X
 Inscription _____

Selector switch 2

___ positions gray-code
 ___ positions 1 of X
 Inscription _____

Inscription Selector Switch

on front foil customized, see appendix
 without

Color Rotary knob Selector Switch

black
 grey

Special requests	

Quotation			
Quantity	nonrecurring project demand		Series demand per year
	Week		
Requested delivery date			

Date	Signature

HBA Hand-Held Pendant Station



Request form for HBA hand-held pendant stations with handwheels

Customer			
Company		Telephone	
Address		Telefax	
		E-mail	
Name		Department	
Surname		Date	

Housing with magnetic clamp
 without magnetic clamp

LED without LED
 green
 other color: _____

Colors of the foil Euchner standard
 basic color: _____

Logo Euchner standard
 customized
 appendix: label of the logo

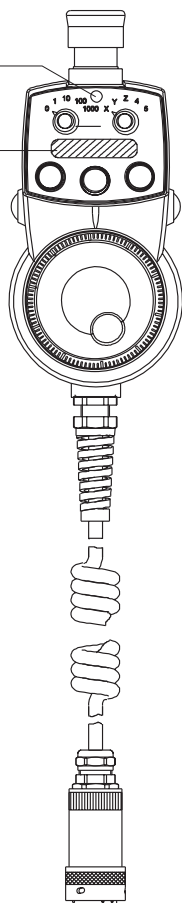
Push button 3 membrane push buttons
 other: ¹⁾ _____

without push buttons

without LEDs
 with LEDs

¹⁾ appendix: label of the push buttons

Connector Burndy metal
 Coninvers metal
 other: _____
 without connector



Emergency Stop Moeller (pull to unlock)
 without Emergency Stop
 2 x NC
 1 x NC

Selector switch left ___ positions gray-code
 ___ positions 1 of X
 without selector switch
 Inscription: _____

Selector switch left + right Knob color black
 Knob color grey

Selector switch right ___ positions gray-code
 ___ positions 1 of X
 without selector switch
 Inscription: _____

Enabling switches 1 NO left and right
 1 NO/NC left and right
 without enabling switch

Handwheel Supply voltage $U_b = 5V$
 Supply voltage $U_b = 10-30V$
 Output RS422
 Output Push-pull 5V
 Output Push-pull + U_b
 100 pulses
 25 pulses ²⁾
²⁾ only for Mitsubishi controls

Which control is used? Siemens
 Fanuc
 Mitsubishi
 others: _____

Cable spiral-shaped cable, expandable to 3.5 m
 spiral-shaped cable, expandable to 5.0 m
 straight: _____ m

Special requests	

Quotation			
Quantity	nonrecurring project demand	Series demand per year	
Requested delivery date	Week		

Date	Signature

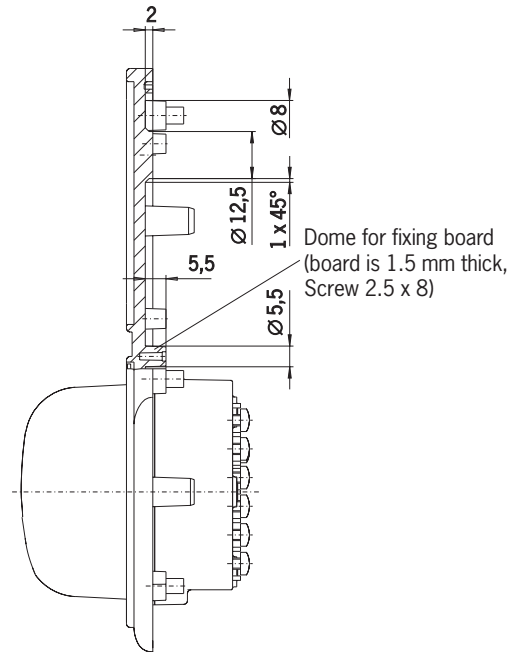
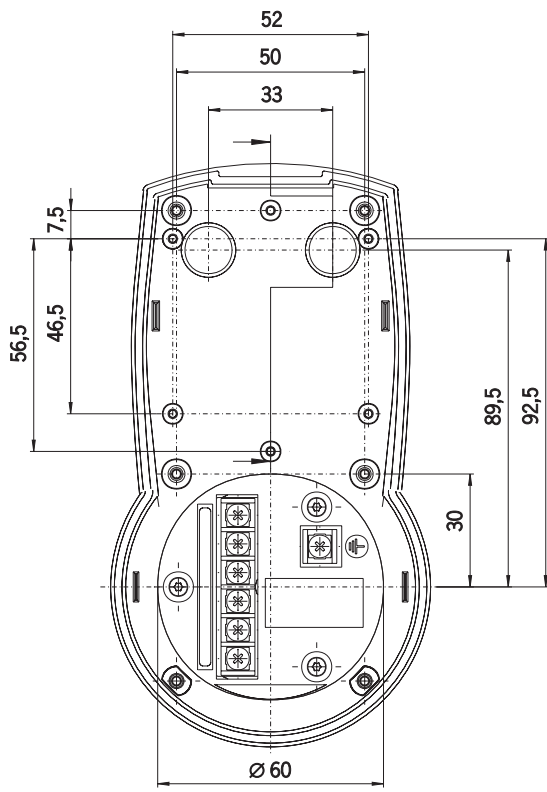


HBA Hand-Held Pendant Station

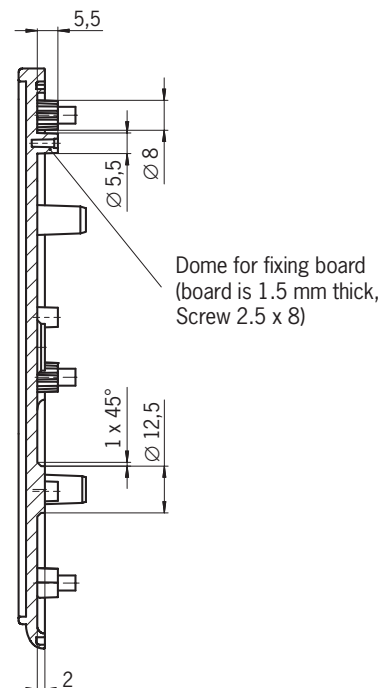
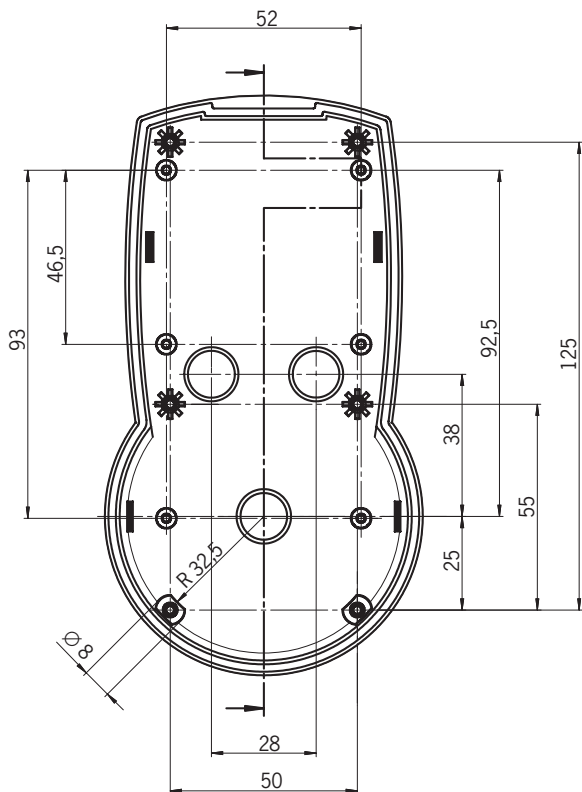
EUCHNER

Dimensions HBA top shell with domes

► HBA top shell with handwheel



► HBA top shell without handwheel



Representation international

Australia

Micromax Pty. Ltd.
PO Box 1238
AUS:Wollongong
NSW Australia 2500
Tel. +61 (0) 2 4271 1300
Fax +61 (0) 2 4271 8091
micromax@micromax.com.au

Austria

EUCHNER Ges. mbH
Süddruckgasse 4
A-2512 Tribuswinkel
Tel. +43 (0) 22 52 4 21 91
Fax +43 (0) 22 52 4 52 25
info@euchner.at

Benelux

EUCHNER (BENELUX) B.V.
Postbus 119
NL-3350 AC Papendrecht
Tel. +31 (0) 78 6 15 47 66
Fax +31 (0) 78 6 15 43 11
info@euchner.nl

Brazil

EUCHNER Itda.
Av. Prof. Luiz Ignacio Anhaia
Mello no. 4387
S. Lucas
São Paulo SP Brasil
CEP 03295-000
Tel. +55 (0) 11 69 18-22 00
Fax +55 (0) 11 61 01-06 13
euchner@euchner.com.br

Canada

IAC & Associates Inc.
1925 Provincial Road
Windsor, Ontario N9A 6J3
Tel. +1 (5 19) 966-3444
Fax +1 (5 19) 966-6160
sales@iacnassociates.com

China

Knowhow I&C Co.
C-2204 Webok Times Center
No. 17 Zhongguancun Nandajie
Beijing, 100081
Tel. +86 10 8857 8899
Fax +86 10 8857 8989
info@knowhow.cn

Czech Republic

Amtek spol s.r.o.
Elektronické Součástky
Automatizační Technika
Přesné strojírenství
Videňská 125
CZ-619 00 Brno
Česká republika
Tel. +420 5 47 12 55 70
Fax +420 5 47 12 55 56
amtek@amtek.cz

Denmark

Robotek EL & TEKNIK A/S
Blokken 31, Postboks 30
DK-3460 Birkerød
Tel. +45 44 84 73 60
Fax +45 44 84 41 77
info@robotek.dk

Eastern Europe

Hera Handels Ges. mbH
Hauptstraße 61
A-2391 Kaltleitgeben
Tel. +43 (0) 22 38 7 75 18
Fax +43 (0) 22 38 7 75 28
hera@telering.at

Finland

Sähkölehto Oy
Lehto & Co.
Holkkitie 14
FIN-00880 Helsinki
Tel. +358 (0) 9 774 6420
Fax +358 (0) 9 759 1071
office@sahkolehto.fi

France

EUCHNER France S.A.R.L.
Immeuble Le Colorado
ERAGNY PARC
Rue Rosa Luxembourg
Parc d'affaires des Bellevues
F-95610 ERAGNY sur OISE
Tel. +33 (0) 1 39 09 90 90
Fax +33 (0) 1 39 09 90 99
info@euchner.fr

Hong Kong

Imperial Engineers &
Equipment Co. Ltd.
Unit B 12th Floor
Cheung Lee Industrial Building
9 Cheung Lee Street
HK-Chaiwan, Hong Kong
Tel. +8 52/28 89 02 92
Fax +8 52/28 89 18 14
iechkh@netvigat.com

Hungary

EUCHNER Ges.mbh
Magyarországi Fióktelep
H-2045 Törökbálint
Tópark Ipari park 3301/28
Feketerét u. 1.
Tel. +36/23/428 374
Fax +36/23/428 375
info@euchner.hu

India

Teknic Controlgear PVT Ltd.
703, Madhava,
Bandra Kurla Complex
Bandra East
IND-Mumbai 400051
Tel. +91-80-23 61 9348
+91-80-23 61 7867
Fax +91-80-23 61 8607
teknic@vsnl.com

Iran

INFOCELL IRAN Co.
84, Manoucheri Ave.,
P.O. Box 81655-861, Isfahan, IRAN
Tel. +98 311 221 1358
Fax +98 311 222 6176
info@infocell-co.com

Italy

TRITECNICA S.r.l.
Viale Lazio 26
I-20135 Milano
Tel. +39 02 54 194-1
Fax +39 02 55 01 04 74
info@tritecnica.it

Japan

Solton Co. Ltd.
2-13-7, Shin-Yokohama
Kohoku-ku, Yokohama
Japan 222-0033
Tel. +81 (0) 45 4 71 77 11
Fax +81 (0) 45 4 71 77 17
sales@solton.co.jp

Korea

EUCHNER Korea Ltd.
RM 810 Daerung Technotown
#448 Gasan-Dong
Kumchon-Gu, Seoul
Tel. +82 (02) 2107 3500
Fax +82 (02) 2107 3999
sijang@euchner.co.kr

Mexico

SEPIA S.A. de C.V.
Maricopa # 10
302, Col. Napoles.
Del. Benito Juarez
MEX-03810 Mexico D:F:
Tel. +52 (5) 6822 347
Fax +52 (5) 5367 787
sepia@prodigy.net.mx

New Zealand

WAF, W. Arthur Fisher
11 Te Apunga Place
Mt. Wellington
Auckland, New Zealand
Tel. +64 (0) 9 270 0100
Fax +64 (0) 9 270 0900
chrisl@waf.co.nz

Norway

ELIS ELEKTRO AS
Jericoveien
N-1067 Oslo
Tel. +47 (22) 90 56 70
Fax +47 (22) 90 56 71
post@eliselektro.no

Poland

ELTRON
pl. Wolności 7 B
PL 50-071 Wrocław
Tel. +48 (0)71 343 97 55
Fax +48 (0)71 343 96 64
LP@eltron.pl

Portugal

PAM - Servicos Técnicos
Industriais, Lda
Rua Senhora da Alegria 188
P-4785 Alvarelhos STS
Tel. +3 51 (0) 22 98 27 518
Fax +3 51 (0) 22 98 27 519
pam@mail.telepac.pt

Singapore

SENTRONICS
Automation and Marketing Pte Ltd
Blk 3021 Ubi Avenue 2
03-169
SGP-Singapore 408897
Tel. +65/6744 8018
Fax +65/6744 1929
sentronics@pacific.net.sg

Slovenia

SMM d.o.o.
Production Systems Ltd.
Jaskova 1E
SLO-2001 Maribor
Slovenia
Tel. +386 (0)2 450 23 26
Fax +386 (0)2 462 51 60
franc.kit@smm.si

Spain

EUCHNER, S.L.
Gurutegi 12 - Local 1
Polígono Belartza
E-20018 San Sebastián
Tel. +34 (9 43) 31 67 60
Fax +34 (9 43) 31 64 05
euchner@edunet.es

Sweden

Censit AB
Box 331
S-33123 Värnamo
Tel. +46 (0) 3 70 69 10 10
Fax +46 (0) 3 70 188 88
info@censit.se

Switzerland

EUCHNER AG
Ing.- und Vertriebsbüro
Großstraße 17
CH-8887 Mels/St. Gallen
Tel. +41 (0) 81 7 20 45 90
Fax +41 (0) 81 7 20 45 99
euchner.schweiz@bluewin.ch

Taiwan

Daybreak International
(Taiwan) Corp.
3 Fl., 124 Chung-Cheng Road
Shihlin
Taipei, Taiwan
Tel. +8 86 (0) 2 8 866 1231
Fax +8 86 (0) 2 8 866 1239
day111@ms23.hinet.net

Turkey

PINAR MÜHENDISLIK SAN.
ve Tic. Ltd. Sti.
Perpa Tic. Merkezi
Kat. 11, No. 1705
TR-80270 Okmeydani/Istanbul
Tel. +90 (0) 2 12 2 20 02 77
Fax +90 (0) 2 12 2 20 13 16
pinarmuh@superonline.com

United Kingdom

EUCHNER (U.K.) Ltd.
Unit 2, Petre Drive,
GB-Sheffield, S4 7PZ
Tel. +44 (0) 1 14 2 56 01 23
Fax +44 (0) 1 14 2 42 53 33
info@euchner.co.uk

USA

EUCHNER USA Inc.
6723 Lyons St.
USA-E. Syracuse, NY 13057
Tel. +1 (3 15) 7 01-03 15
Fax +1 (3 15) 7 01-03 19
info@euchner-usa.com

