



SH-IA/IC e TH-IA/IC series

Photocells

Type 2 and Type 4



features

- M18 Models 10 m (axial optic) and 5 m (radial optic) operating distance
- M30 models 60 m operating distance
- EN50100 Category 2 and Category 4 compliant
- LED indicators
- Plastic and Metal Housing
- Inputs and Outputs IEC61131-2 compliant and adaptable with any safety module
- To be used together with a Category 2 or Category 4 safety control unit to obtain a safety system EN ISO 13849 compliant



web contents

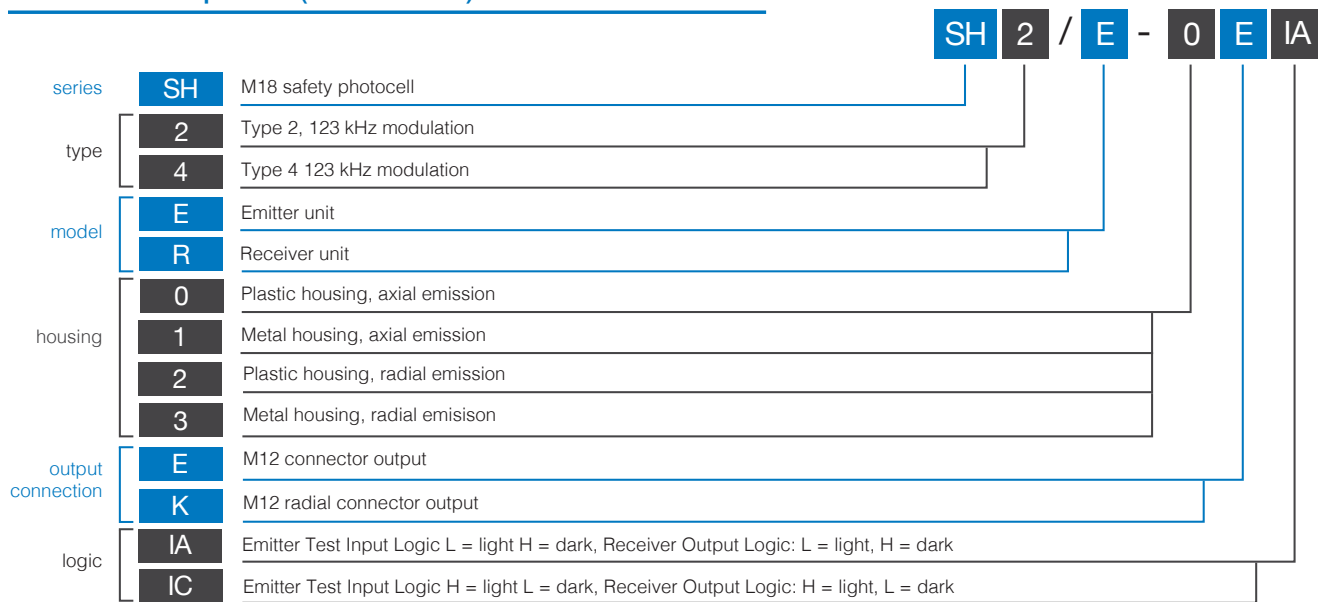


- Application notes
- Photos
- Catalogue / Manuals

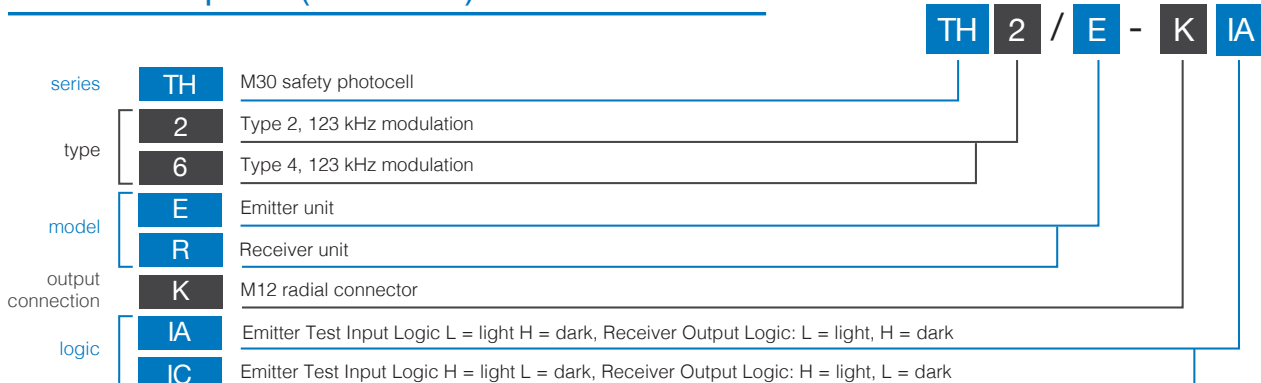


Photocells
Type 2 and Type 4

code description (SH series)



code description (TH series)



SH-IA/IC
TH-IA/IC

available models (Type 2)

series	diameter	emission	optic	operating distance (m)	connection	housing	unit	model		
SH2	M18	red	Type 2 axial	10	M12 axial	plastic	Emitter	SH2/E-0EIC		
				5			Receiver	SH2/R-0EIC		
			Type 2 radial	10			metallic	Emitter	SH2/E-2EIC	
				5				Receiver	SH2/R-2EIC	
			Type 2 axial	10		M12 radial		plastic	Emitter	SH2/E-1EIC
				5					Receiver	SH2/R-1EIC
			Type 2 radial	10			metallic	plastic	Emitter	SH2/E-3EIC
				5					Receiver	SH2/R-3EIC
Type 2 axial	10	metallic	plastic	Emitter	SH2/E-0KIC					
	5			Receiver	SH2/R-0KIC					
Type 2 radial	10		metallic	plastic	Emitter	SH2/E-1KIC				
	5				Receiver	SH2/R-1KIC				
TH2	M30			Type 2 axial	60	M12 radial	metallic	Emitter	TH2/E-KIC	
								Receiver	TH2/R-KIC	

available models (Type 4)

series	diameter	emission	optic	operating distance (m)	connection	housing	unit	model		
SH4	M18	red	Type 4 axial	10	M12 axial	plastic	Emitter	SH4/E-0EIC		
				5			Receiver	SH4/R-0EIC		
			Type 4 radial	10			metallic	Emitter	SH4/E-0EIA	
				5				Receiver	SH4/R-0EIA	
			Type 4 axial	10		metallic		plastic	Emitter	SH4/E-2EIC
				5					Receiver	SH4/R-2EIC
			Type 4 radial	10			metallic	plastic	Emitter	SH4/E-1EIC
				5					Receiver	SH4/R-1EIC
			Type 4 axial	10		metallic		plastic	Emitter	SH4/E-1EIA
				5					Receiver	SH4/R-1EIA
			Type 4 radial	10			metallic	plastic	Emitter	SH4/E-3EIC
				5					Receiver	SH4/R-3EIC
Type 4 axial	10	metallic	plastic	Emitter	SH4/E-0KIA					
	5			Receiver	SH4/R-0KIA					
Type 4 radial	10		metallic	plastic	Emitter	SH4/E-1KIA				
	5				Receiver	SH4/R-1KIA				
TH6	M30			type 4 axial	60	M12 radial	metallic	Emitter	TH6/E-KIC	
								Receiver	TH6/R-KIC	
TH6	M30		type 4 axial	60	M12 radial	metallic	Emitter	TH6/E-KIA		
							Receiver	TH6/R-KIA		

P.N.: If used with SBCR03 control unit, **the resulting system is of Type 2.**



	SH axial	SH radial	TH
nominal operating distance Excess Gain = 2	0...16 m	0...7 m	0...84 m
nominal operating distance Excess Gain = 4	0...11 m	0...5 m	0...60 m
model	M18		M30
spot diameter	12		26
minimum detectable object	ø 15 mm		ø 24 mm
emission	red		
Effective Aperture Angle (EAA)	typical 1.8°; ± 2,5°		no load.
operating voltage	10...30 Vdc		
current consumption	≤ 25 mA (emitter); ≤ 25 mA (receiver); 22 mA (typical, light mode)		
output current	50 mA; 70 mA max		
emission wavelength	660 nm		
standard modulation frequency	123 KHz		
supply voltage UB	19.2 V...28 V		external power supply to the devices must include a brief power failure of up to 20 ms in conformity with EN 60204. Suitable power supplies are commonly available on the market. Operation with the network short-circuit proof max. 8 A. The connections used are protected against reverse polarity. The sensors SH and TH, and the test device downstream, are connected to the same municipality and for paving ground.
residual ripple	≤ 5 V		must not exceed or fall below of UB tolerances.
HIGH level output	U _B - 3.2 V ... U _B - 2.5 V (typical)		the output of the sensor is normally connected to the test device, isn't an OSSD as for IEC 61496-1.
LOW level output	5 V		
reaction time receiver output per transaction LIGHT / DARK	200 µs, from front to LOW DARK models for IC , to HIGH for models IA		
reaction time receiver output per transaction DARK /LIGHT	400 µs, from front to LIGHT UP models for IC , LOW models for IA		
response time of safety	it would depend on the security utility		
LOW input Test projector	< 5 V IC output inactive ; model IA active issue		
HIGH input Projector test	vin test >> 15 V IC output active ; model IA issue inactive		
test input LOW level (Emitter)	IC models , LOW = DARK ; HIGH = LIGHT IA models , HIGH = DARK ; LOW = LIGHT		
electrical protection class	III		
IP mechanical protection	IP67 (EN60529)		
working temperature	-20 °C... + 55 °C (typical + 20 °C)		
storage temperature	-40°C... + 75°C		
humidity (no condensation)	15%...95%		
weight	30 g (plastic); 67 g (metallic)	212 g	
shocks	10 g; 16 ms; (IEC60068-2-6)		
vibration	10 Hz ... 55 Hz, 1 oct./min, 0.35 mm (IEC 60068-2-6)		
materials	Lens: Glass with PBT ring; Housing: Brass nickel-plated or PBT; M12 plug:PC		Lens: Glass, aluminium; Housing: Brass nickel plated; End cap: PC; M12 plug: PBT

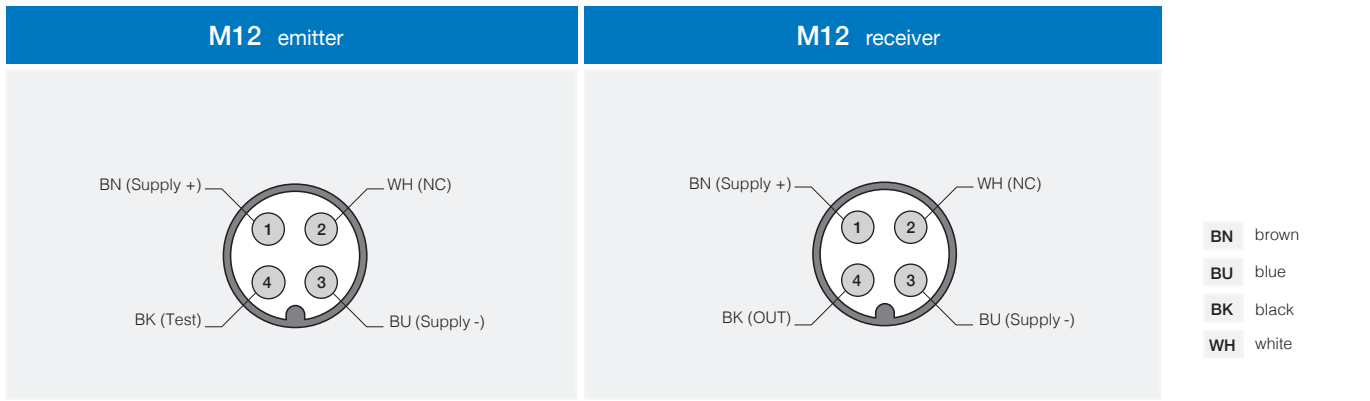
safety specifications (Machinery Directive)

Photocells
Type 2 and Type 4

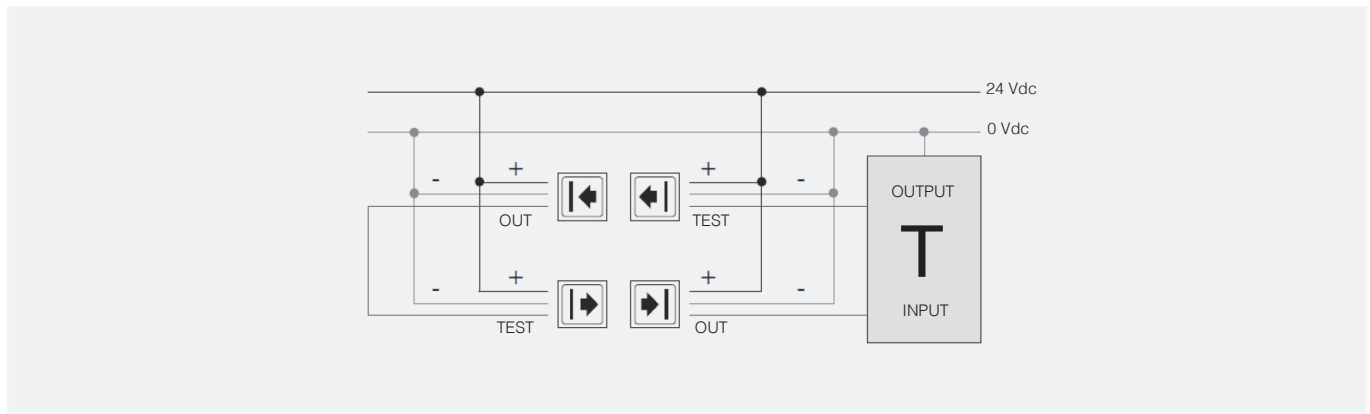
Type 2 M18 and M30 safety photocells		Type 4 M18 and M30 safety photocells	
Type	2 (IEC 61496) ⁽¹⁾	Type	4 (IEC 61496) ⁽¹⁾
safety integrity level	SIL1 (IEC 61508), SIL CL 1 (EN 62061) ⁽¹⁾	safety integrity level	SIL3 (IEC 61508), SIL CL 3 (EN 62061) ⁽¹⁾
category	2 (EN ISO 13849) ⁽¹⁾	category	4 (EN ISO 13849) ⁽¹⁾
self test frequency ⁽²⁾	100/s (EN ISO 13849)	performance level	PL e (EN ISO 13849) ⁽¹⁾
maximum frequency of request ⁽³⁾	60/min (EN ISO 13849)	maximum frequency of request ⁽³⁾	60/min (EN ISO 13849)
performance level	PL c (EN ISO 13849) ⁽¹⁾	PFH _d ⁽⁴⁾	8.1 x 10 ⁻¹⁰
PFH _d ⁽⁴⁾	1 x 10 ⁻⁶	TM (life time)	20 years
TM (life time)	20 years		

⁽¹⁾ Only in combination with suitable test device ⁽²⁾ The test rate must not be exceeded
⁽³⁾ Between two requests for a safety-related reaction from the device, at least 100 internal or external tests must be undertaken ⁽⁴⁾ Average probability of failure per hour, due to a serious error

electrical diagrams of the connections



2 sensors caascade connection example

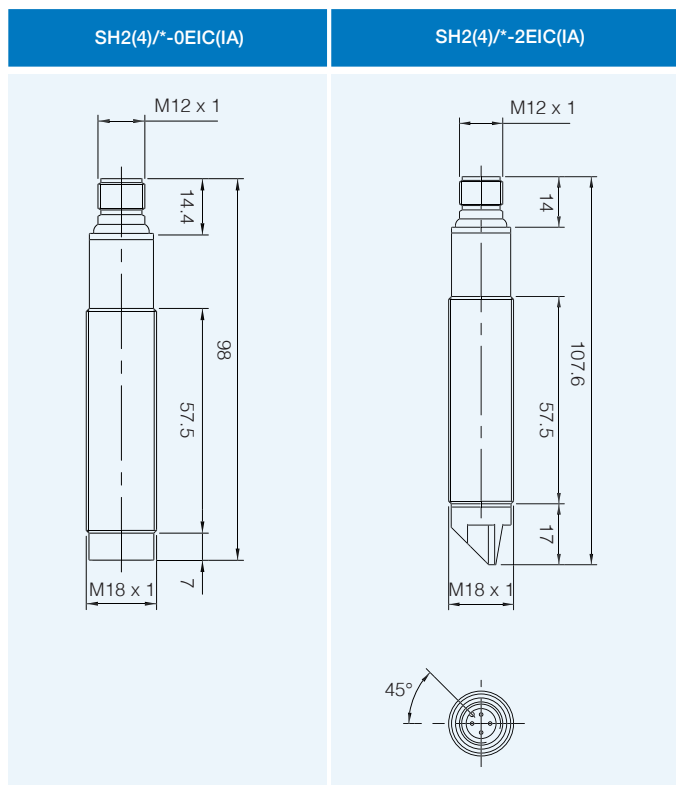


The pairs remote, comprise an emitter and a receiver connected in a chain, that are running the repeater function, must be homogeneous, that is composed of an emitter and a receiver both with the same logic of Test and Exit (both type IC or IA). Couples connected to the test unit must obviously be chosen logically compatible with that unit. It should not exceed a maximum of three pairs of sensors in the chain. If you use more than one pair of monitoring sensors connected in the chain, it must always be strictly observed that the angle of propagation / reception angle of a pair of sensors does not interfere with the other of the same chain. If you use more than one pair of monitoring sensors connected to the same unit and this unit does not use a scanning procedure of the pairs it must be strictly observed that the angle of propagation / reception angle of a pair of sensors does not interfere with the other the same unit. If it takes more units it is possible that pairs of the different units may interfere, in this case the phase of test can fail causing blockages or sporadic system. Only in this case, to avoid interference it is possible to use models with different modulation frequency.

SH/A/C
TH/A/C

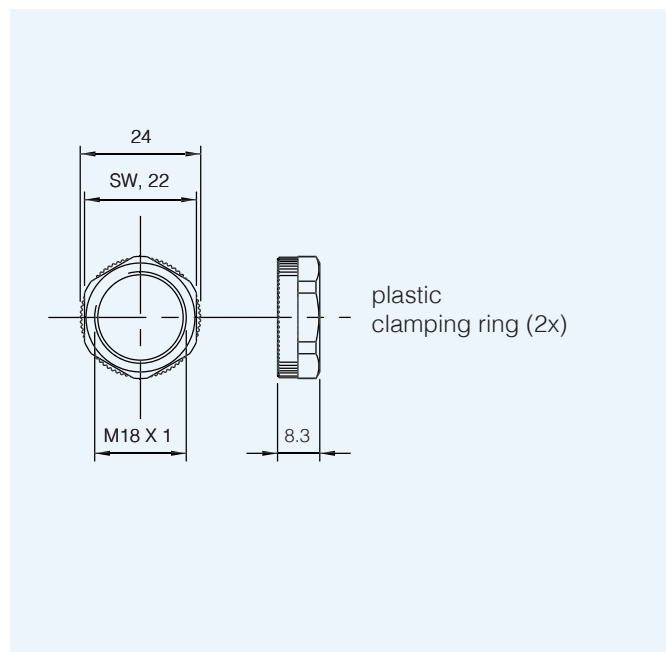
dimensions (mm)

plastic housing



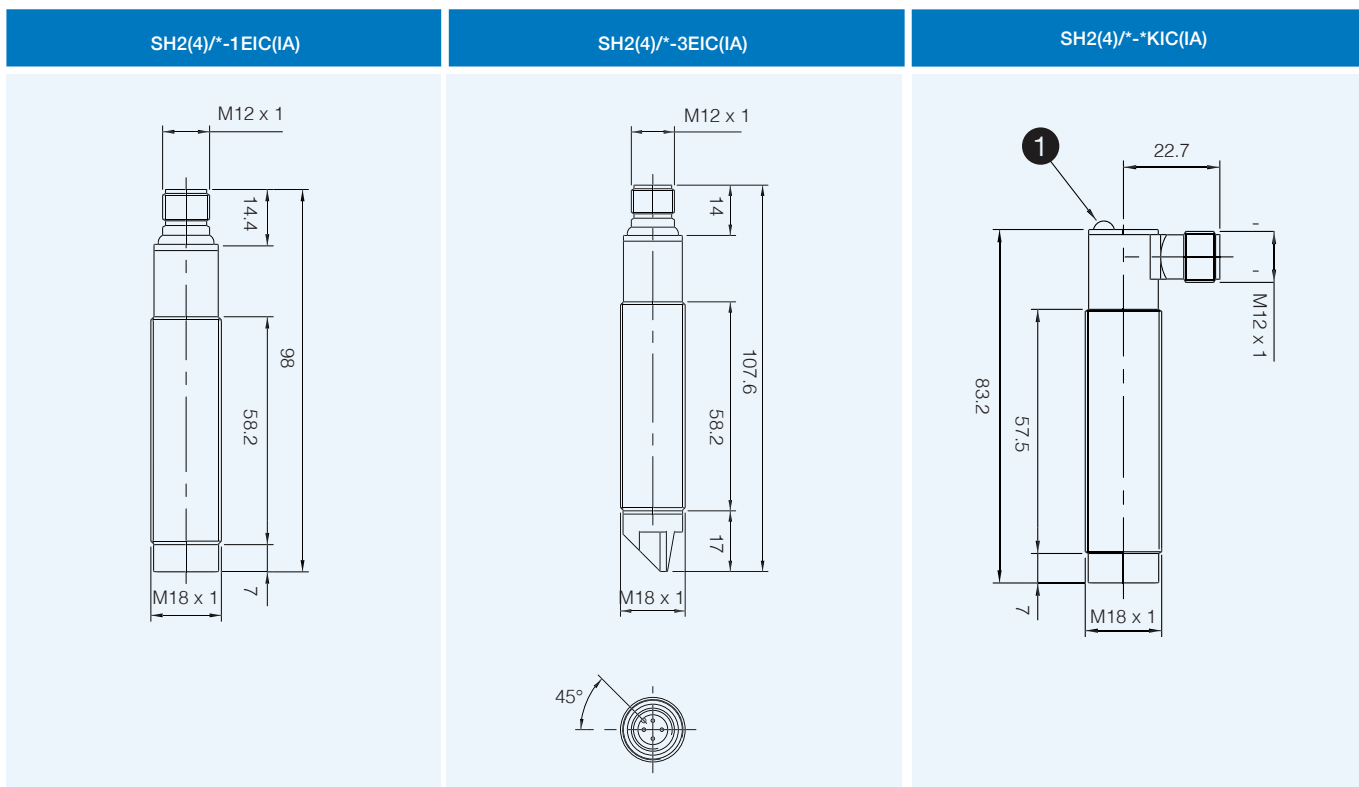
dimensions (mm)

accessories included in all plastic models



dimensions (mm)

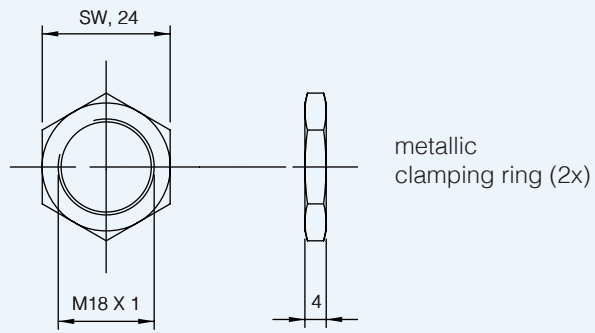
M18 metal housing



1 LED

dimensions (mm)

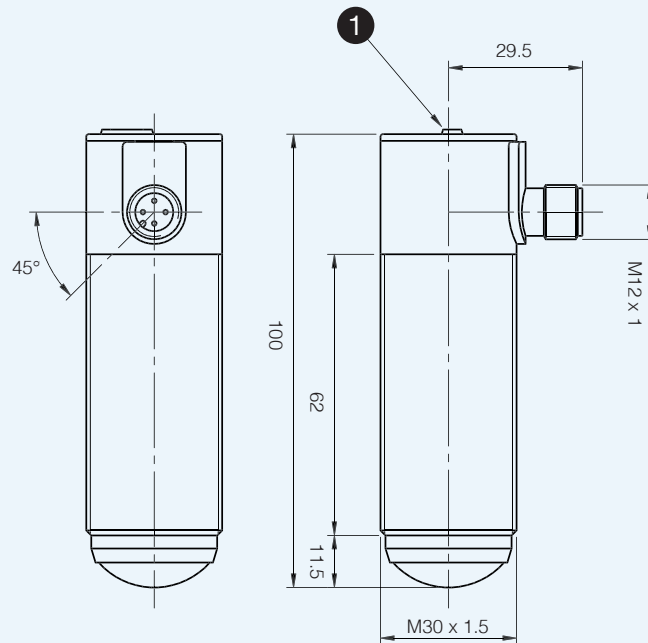
accessories included in all M18 metallic models



dimensions (mm)

M30

TH2(6)/*-1KIC (IA)



1 LED

dimensions (mm)

accessories included in all M30 models

