



# INC series

Inclination sensor



Inclination sensor

## features

- M18 housing
- AISI316L stainless steel housing (front included)
- IP67 protection degree



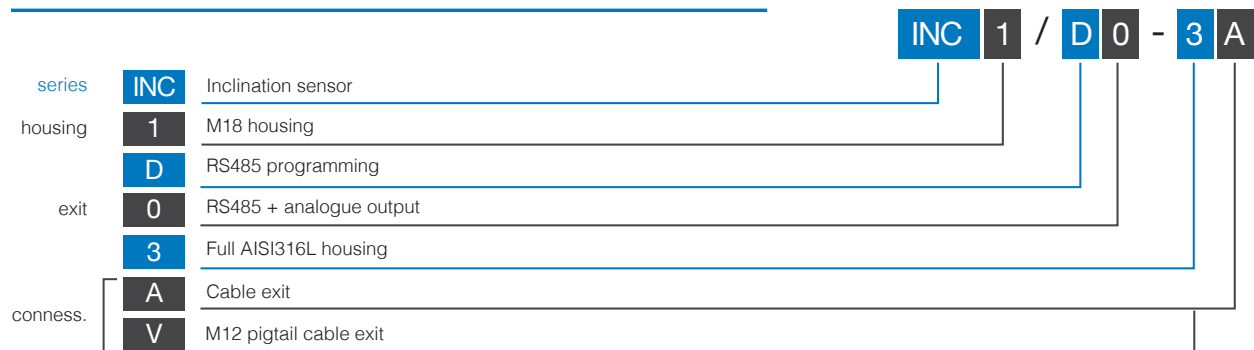
## web contents



- Application notes
- Photos
- Catalogue / Manuals



## code description



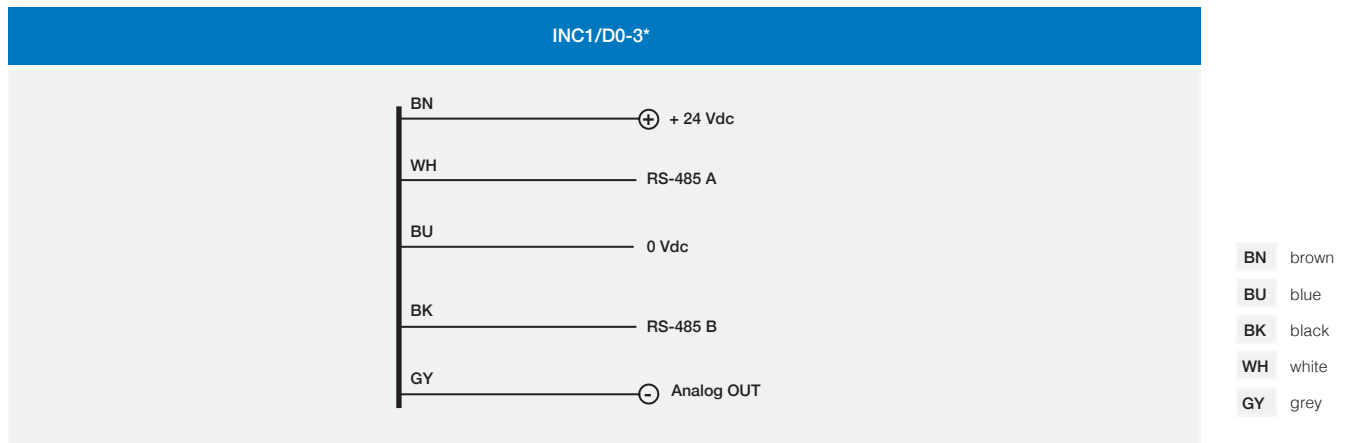


# technical specifications

Inclination sensor

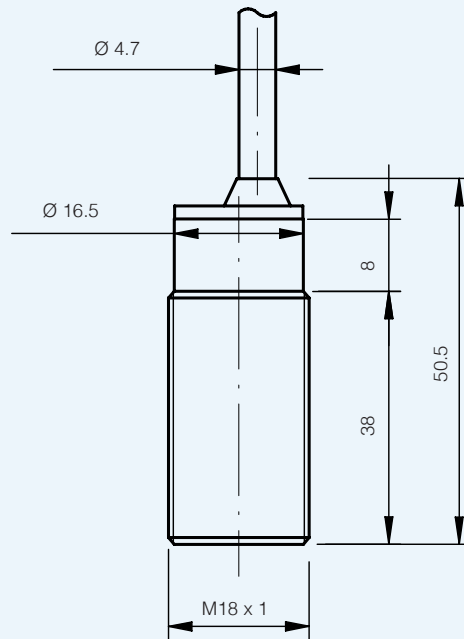
INC1/D0-3*	
operating voltage	24 Vdc +/- 20%
power consumption	< 1 W
operative range	360°
resolution	0,025° @ RS-485
detection axes	1
frequency range	< 3 msec
technology	MEMS (Micro Electro-Mechanical Systems)
digital output	RS-485 (addressable) 57600 Baud rate - 1 bit stop - parity
MEMS resolution digital output	14 bit
resolution digital output	12 bit
voltage analogue output	0..5 V / 0..10 V (programmable)
current analogue output	4..20 mA / 0..20 mA / 0..24 mA (programmable)
load resistor (voltage)	1k...1M Ohm
load resistor (current)	100...500 Ohm
humidity	< 80 % without condensation
temperature range	-25° C...+ 70°C
storage temperature	-30°...+90°C without freeze
electrical protections	polarity reversal transient
protection degree	IP 67 (EN60529)
housing material	AISI316L PA12
connections	cable 5 poles pig Tail M12 5 poles
dimensions	M18
weight	100 gr

## electrical diagrams of connections



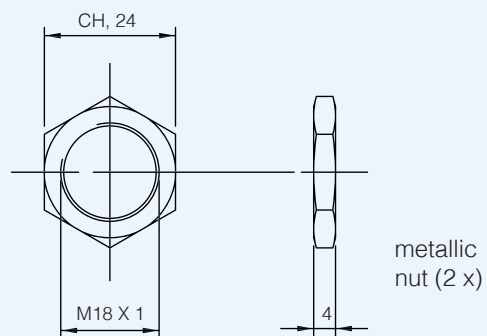
## dimensions (mm)

INC1/D0-3\*



## dimensions (mm)


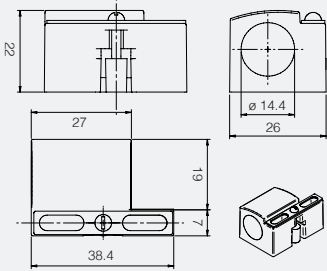
accessories included



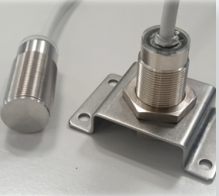
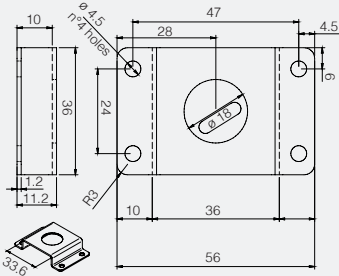
Inclination sensor



bracket ST 18 - S

product	to be used with	dimensions (mm)	description / installation
	VBR series INC series		fixing bracket for M18 sensors

bracket ST 18 - V

product	to be used with	dimensions (mm)	description / installation
	VBR series INC series		fixing bracket for M18 sensors

connection cables

- CD12M/0H-050A5** (PUR, 5 m)    **CD12M/0H-100A5** (PUR, 10 m)  
**CD12S/0H-050A1** (PVC, shielded, 5 m)    **CD12S/0H-100A1** (PVC, shielded, 10 m)