

# C-Box Line

## Industrial Connection Box Product Line



## General Description

The Datalogic C-Box Line is the ideal solution to simplify and speed up cabling operations during the installation of barcode readers. It can be connected to the most important fieldbuses in the market.

The C-Box line has been designed to be used with the scanners of the 1000, 2000, 4000 and 6000 series and Matrix™, as well as the Gryphon and Dragon hand-held readers.

The C-Box Line is equipped with an internal terminal block made of practical spring clamps and 5 external cable glands for easy cabling operations. Connection to the scanner is made through an external standard D-Shell 25 pin connector. All models have an internal standard D-Shell 9 pin connector to access the auxiliary service interface of the scanner. The ease of use is enhanced thanks to an internal switch and Led, which control the power supply status, and a practical external display and keypad (C-Box 310/410).

System downtime is reduced and scanner replacement is quick because it is possible to GET, STORE and SEND the configuration of the connected product directly in the non volatile internal memory of the C-Box 200, 3x0 and 4x0.

The C-Box 300/310 have built-in Profibus DP connectivity, while the C-BOX 400/410 offer built-in connectivity to DeviceNet, allowing the reader to be directly connected to the fieldbus with no need for wiring a proprietary intermediate bus. Connection to the fieldbus is fast, with an external standard D-Shell 9 pin connector (Profibus DP) or an external industrial M12 connector (DeviceNet).

Both the connected products and the fieldbus interfaces can be set through the use of the Winhost™ setup program.

## Features

- > Standardisation: unique solution for 1000, 2000, 4000, 6000, and Matrix series
- > Fast installation and maintenance :
  - Ease and flexibility in the cabling operation
  - Fast access to the auxiliary interface of the product
  - Power supply switch and LED
- > Possibility to GET/STORE and SEND the configuration of the connected products
- > Connectivity to Profibus DP and DeviceNet
- > Display versions
- > Winhost™ configuration SW
- > Cost Effective

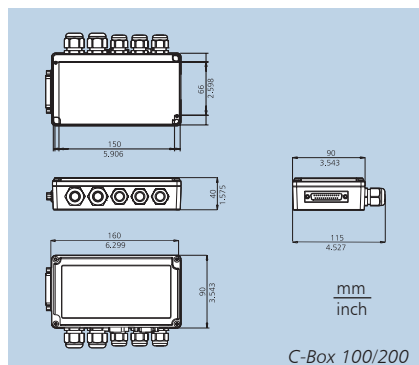
## Applications

- > Manufacturing
- > Shop Floor
- > Warehousing

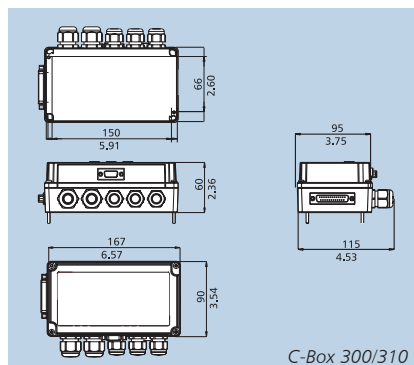
### Specifications

	C-BOX 100	C-BOX 200	C-BOX 300	C-BOX 310	C-BOX 400	C-BOX 410
<b>ELECTRICAL CHARACTERISTICS</b>						
POWER SUPPLY	10 to 30 Vdc	10 to 30 Vdc	10 to 30 Vdc		10 to 30 Vdc	
POWER CONSUMPTION		Max 1.4 W	Max 3.5 W		Max 3 W	Max 4.5 W
<b>USER INTERFACE</b>						
LEDS	Yes	Yes	Yes	Yes	Yes	Yes
DISPLAY & KEYPAD	No	No, 2 keys	No, 2 int. keys	Yes, 3 keys	No, int. keys	Yes, 3 keys
<b>PHYSICAL CHARACTERISTICS</b>						
DIMENSIONS	See drawing	See drawing	See drawing		See drawing	
WEIGHT	Approx. 320 g (11.29 oz)	Approx. 340 g (12 oz)	Approx. 440 g (15.51 oz)	Approx. 500 g (17.63 oz)	Approx. 470 g (16.50 oz)	Approx. 530 g (18.70 oz)
<b>SOFTWARE FEATURES</b>						
CONFIGURATION STORAGE		Non volatile internal memory	Non volatile internal memory		Non volatile internal memory	
CONFIGURATION			WINHOST™		WINHOST™	
<b>CONNECTIVITY</b>						
COMMUNICATION PROTOCOL		Multidrop MUX32	Profibus DP		Devicenet	
INTERFACE TYPE		RS485 (optocoupled)			CAN	
DATA TRANSFER RATE		Up to 56 Kbit/s	Up to 12 Mbit/s		125, 250, 500 Kbit/s	
EXCHANGE MEMORY FOR I/O DATA			Up to 32 bytes		Up to 32 bytes	
ADDRESS SETTING		HW Switches	HW Switches, WINHOST™		HW Switches, WINHOST™	
HANDSHAKING			Message fragmentation and flow control		Message fragmentation and flow control	
<b>ENVIRONMENTAL FEATURES</b>						
OPERATING TEMPERATURE	-10 to 50° C (14 to 122° F)					
STORAGE TEMPERATURE	-20 to 70° C (-4 to 158° F)					
HUMIDITY	90% non condensing					
VIBRATION RESISTANCE	IEC 68-2 Test FC 1.5 mm; 10 to 55 Hz; 2 hours on each axis					
SHOCK RESISTANCE	IEC 68-2-27 Test EA 30 G; 11 ms; 3 shocks on each axis					
PROTECTION CLASS	IP64					
SCANNERS SUPPORTED	The entire Datalogic range	DS2100, DS2400/A, DS4600A, Matrix™	DS2100, DS2400/A, DS4600A, Matrix™	DS2100, DS2400/A, DS4600A, Matrix™		

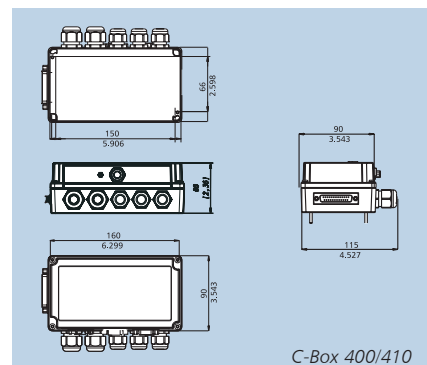
### Dimensions



C-Box 100/200



C-Box 300/310



C-Box 400/410

AUDIN - 8, avenue de la malle - 51370 Saint Brice Courcelles - Tel : 03.26.04.20.21 - Fax : 03.26.04.28.20 - Web : <http://www.audin.fr> - Email : [info@audin.fr](mailto:info@audin.fr)



[www.datalogic.com](http://www.datalogic.com) | [info@datalogic.com](mailto:info@datalogic.com)

Product and Company names and logos referenced may be either trademarks or registered trademarks of their respective companies. We reserve the right to make modifications and improvements.



Datalogic Communication Division  
Printed in Italy in March 2004



9C0005373

