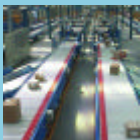


# SC6000

## Industrial Controller

**DATALOGIC**  
Your Life. Our Enthusiasm™



Unattended Scanning Systems

## General Description

The SC6000 is the ultimate Datalogic industrial controller specifically designed for omni-directional multi-side reading tunnels. It offers all the necessary tools to make the phases of System Installation, Setup, Testing and Maintenance of an omni-directional reading tunnel easy and quick.

The SC6000 key functions are:

- > Bus Controller: cluster management and Host interface of a multi-side reading tunnel based on a Lonworks bus.
- > DARP™ (Datalogic Automatic Replacement Procedure) function: automatic procedure for scanner and bus controller replacement.
- > Simple and effective diagnostic indications, based on LEDs and a display, offer all the necessary information to the maintenance operator.
- > Easy remotization of all the reading station information, thanks to built-in Ethernet and field bus connectivity, as well as a special 9-pin connector for Modem connection.

The SC6000 is based on a robust alloy case divided in two parts: the upper part is composed of a display, keypad and LEDs. The lower part contains the mother board, removable Compact-Flash memory, field bus boards and connector panel.

No Hard Disk is used in the SC6000. A Compact-Flash memory increases the overall product reliability.

The SC6000 is compatible with the 6000 and 8000 family scanners (bus versions).

Every scanner on the reading station can be operated using the GENIUS™ software with the SC6000, from the SW download phase to fine scanner tuning. GENIUS™ can be used through a simple RS232 connection with the SC6000 on site, or through a remote connection with Ethernet via Socket. SC6000 also offers a special 9-pin port for a standard Modem connection.

## Features

- > Industrial controller for multi-side reading stations
- > DARP™ (Datalogic Automatic Replacement Procedure) function
- > High performing CPU
- > GENIUS™ configuration program
- > Display and 6-key keypad for diagnostics/statistics
- > Robust alloy case
- > Built-in Ethernet, Profibus and Devicenet connectivity
- > Modem connection

## Applications

- > Sorting for:
  - Transportation & Logistics (Express Couriers, Postal applications)
  - Distribution (large Logistic / Distribution Centers)
  - Baggage Handling Systems

# SC6000 Industrial Controller

## Technical Specifications

### ELECTRICAL CHARACTERISTICS

POWER SUPPLY 10 to 30 VDC  
 CONSUMPTION < 10 W

### MECHANICAL CHARACTERISTICS

DIMENSIONS See diagram  
 WEIGHT 3.3 Kg (7.26 lbs)

### PERFORMANCE

RAM MEMORY 16 MB  
 STORAGE MEMORY 2MB FLASH; 32 MB COMPACT FLASH  
 DISPLAY 4 lines x 20 characters  
 KEYPAD 6 keys  
 STATUS LEDs 10 LEDs (POWER, TX/RX DATA, ETHERNET, PS, PS AUX, TACH, NETWORK, SCANNER, CONTROLLER)

MODELS/INTERFACES Main: RS232/RS485F isolated  
 Aux: RS232  
 Modem: RS232

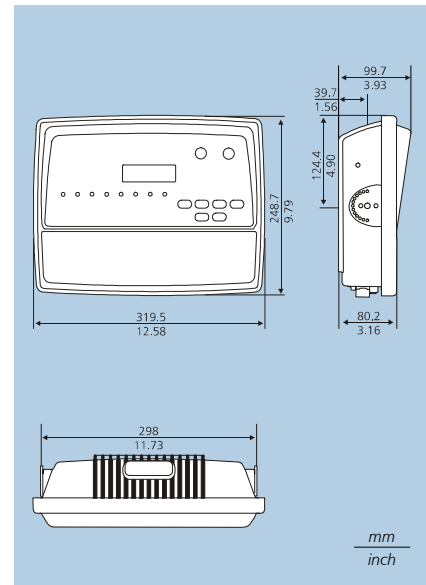
AVAILABLE MODELS SC6000-1200 Built-in Ethernet  
 SC6000-1215 Ethernet and DeviceNet  
 SC6000-1211 Ethernet and Profibus  
 SC6000-1230 Ethernet and Ethernet

I/O SIGNALS 3 inputs/6 outputs: isolated  
 SENSOR SIGNALS 3 inputs (TACH, PS, PS AUX): isolated  
 RELAY SIGNALS 3 outputs

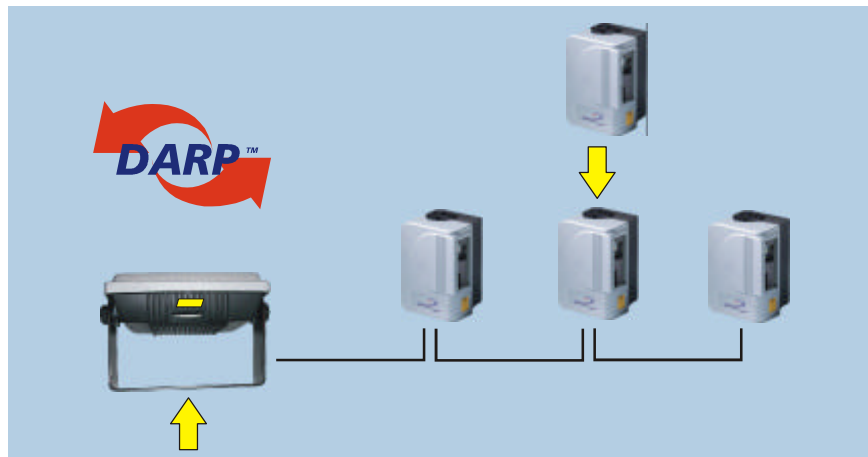
### ENVIRONMENT

OPERATING TEMPERATURE 0 to 50° C  
 STORAGE TEMPERATURE -20 to 70° C  
 HUMIDITY 0 to 90% non condensing  
 ENVIRONMENTAL PROTECTION IP64

## Dimensions



## DARP™ Procedure



DARP™ is the most important benefit offered by the SC6000 controller. As a result of the DARP™ procedure, a damaged scanner can be automatically replaced by simply substituting it. The complete scanner configuration, including both SW and HW adjustments, is automatically transferred to the new scanner through the SC6000, cloning the previous one. Moreover, a damaged SC6000 controller can be easily replaced by simply removing the C-Flash and placing it in the new one. In this way, the reading station configuration, stored in the Compact-Flash memory, is restored and the station becomes fully operative again.