

# CBX800

## Industrial Gateway

### Highlights

CBX800 is an industrial gateway allowing connection of devices equipped with a standard RS232 communication interface to the most common fieldbus systems, by means of a complete range of optional modules, and to ID-NET™ high speed communication network.

#### • FLEXIBILITY

The CBX800 is a modular and flexible industrial gateway that, with the same model, allows to interface several devices equipped with a standard RS232 communication port (e.g. Datalogic Automation's 6K and 8K series, Hand Held Readers) to different networks.

#### • CONNECTIVITY

A large number of communication interfaces are provided to satisfy all the most common demands. Three serial ports and high speed ID-NET™ communication interface, always available, can be combined with a complete range of optional modules providing connectivity to standard Ethernet network or to the most common fieldbus systems.

#### • EASE OF INSTALLATION

Installation is simplified thanks to accessible through-holes for mounting screws with closed box. Optional adapters are available for fast fixing to Bosch profiles and DIN rail mounting. Moreover, the accessible spring clamps allow easy cabling operation.

#### • EASE OF SETUP

CBX800 parameters are accessible through Genius™, the multi-language SW configuration tool that helps to speed up the interfacing to a network. In addition, the embedded HW switches allow easy network type and network address selection.

#### • INDUSTRIAL FEATURES

CBX800 features IP65 (NEMA 4) protection class and an operating temperature up to +50 °C (+122 °F).



### Features

- Serial to Fieldbus industrial gateway
- Serial to Ethernet TCP/IP industrial gateway
- Open architecture allows flexible interfacing to Ethernet TCP/IP, Profibus, DeviceNet, Ethernet/IP and other common networks
- Serial to ID-NET™ industrial gateway
- Flexible mounting and simplified wiring to speed up the installation
- Power, Communication and I/O LED indicators and convenient Power on/off switch
- Multi-language Genius™ SW Tool allows rapid device configuration
- IP65 (NEMA 4) rated industrial design

### Applications

- Manufacturing
- Shop floor
- Warehousing

# CBX800

## Specifications

## Applications

### Models

P/N	Description
93A301077	CBX800 GATEWAY

### Accessories

P/N	Description
93ACC1851	BM200 ETHERNET TCP/IP MODULE
93ACC1852	BM210 ETHERNET TCP/IP IP65 MODULE
93ACC1810	BM300 PROFIBUS MODULE
93ACC1811	BM310 PROFIBUS IP65 MODULE
93ACC1814	BM400 DEVICENET MODULE
93ACC1812	BM500 ETHERNET/IP MODULE
93ACC1813	BM510 ETHERNET/IP IP65 MODULE
93ACC1840	BM520 ETHERNET/IP IP54 MODULE
93ACC1815	BM600 CAN OPEN MODULE
93ACC1816	BM700 PROFINET MODULE
93ACC1845	BM1100 CC-LINK MODULE
93ACC1848	BM1200 MODBUS TCP MODULE
93ACC1849	BM1210 MODBUS TCP IP65 MODULE
93ACC1821	BA100 DIN RAIL ADAPTERS
93ACC1822	BA200 BOSCH ADAPTERS
93ACC1847	BA900 TWO CABLE GLANDS PANEL
93ACC1827	ADP-FF1 GENDER CHANGER 25P F/F (5PCS)

### Technical Data

Dimensions (L x W x H):	193 x 180 x 71 mm (7.60 x 7.09 x 2.79 in.)
Weight:	830 g, (29.28 oz.)
Power Supply:	10 to 30 VDC
Power Consumption:	2.5 W max
Operating Temperature:	0 to 50 °C (32 to 122 °F)
Storage Temperature:	-20 to 70 °C (-4 to 158 °F)
Humidity:	90% non condensing
Protection Class:	IP65
Shock Resistance:	EN 60068-2-27 30G; 11ms; 3 shocks on each axis
Vibration Resistance:	EN 60068-2-6 1.5mm; 10 to 55 Hz; 2 hours on each axis
Diagnostic Leds:	Power On/Polarity Error, Trigger, IN2, OUT1, OUT2, Ready, Host Interface 1, Host Interface 2, ID-NET, OUT3
Communication Interfaces:	Auxiliary: RS232 up to 115.2 Kbit/s Data Source: RS232 up to 115.2 Kbit/s Host Interface: RS232/RS485 up to 115.2 Kbit/s ID-NET™ port up to 1 Mbps Optional Host Interface modules
Communication Protocol:	Datalogic Application Driver (DAD Driver)
Handshaking:	Message fragmentation and flow control
Address Setting:	HW Switches, Genius™
Exchange Memory For I/O Data:	Up to 128 bytes
Device Programming:	Windows™ based SW (Genius™) via Serial or Ethernet link Serial Host Mode Programming sequences
Compatible devices:	All devices supporting standard RS232 communication interface



Manufacturing

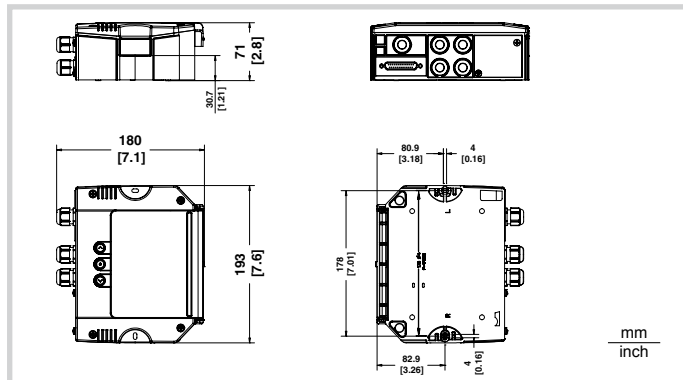


Warehousing



Shop floor

### CBX800 INDUSTRIAL GATEWAY DIMENSIONS



### HOST INTERFACE MODULE



Product and Company names and logos referenced may be either trademarks or registered trademarks of their respective companies. We reserve the right to make modifications and improvements.

December 2008



For more information and software downloads see: [www.automation.datalogic.com/CBX800](http://www.automation.datalogic.com/CBX800)

**DATALOGIC™**

DATALOGIC AUTOMATION