

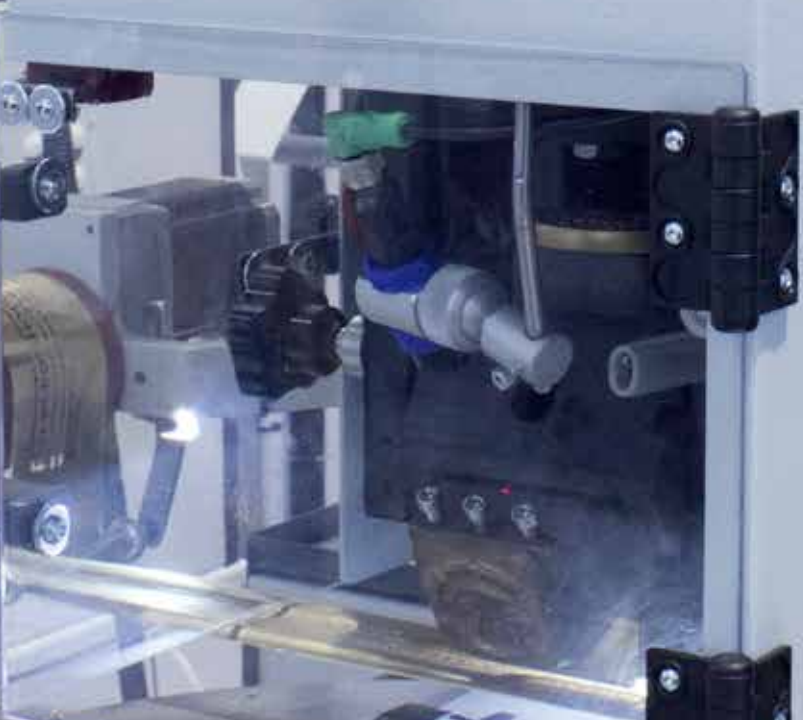


| INDUSTRIAL POINTING SYSTEMS

boots.



DUER 540HT
Goodyear Welt Sewing Machine
for inverted seam
Norwegian - Inverted shoes
Waterproof





LED POINTING SYSTEMS

Unique, Flexible, Reliable, Versatile and Long-Lasting

C.C.E.A. has invented the unique LED pointing systems for industrial use.

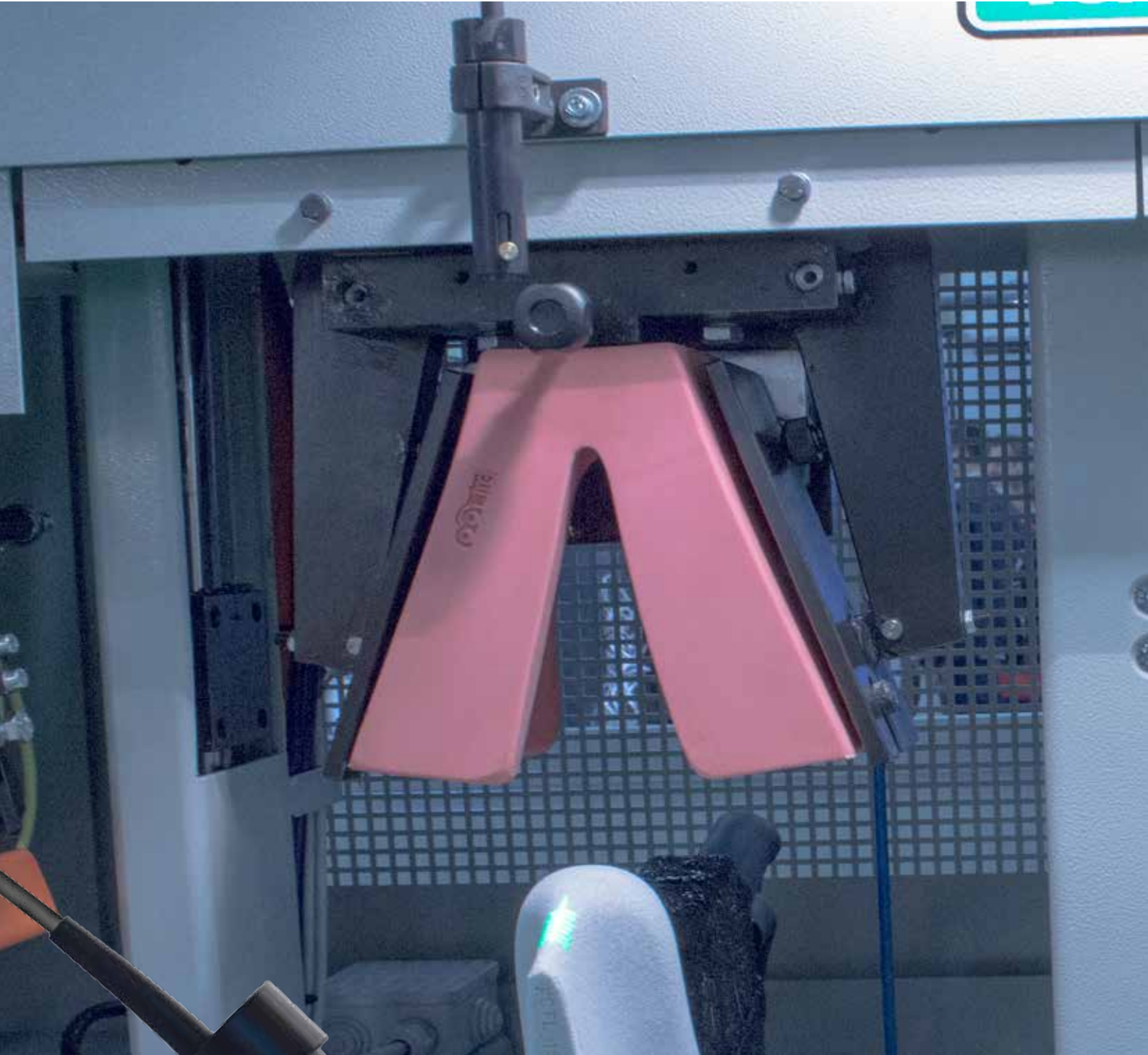
The LED pointers has been projected to make alignment and positioning of materials easier in difficult ad different industrial applications.

The LED applied technology make these CCEA pointing systems the unique, flexible, reliable, versatile and long lasting solutions in the world on its kind.

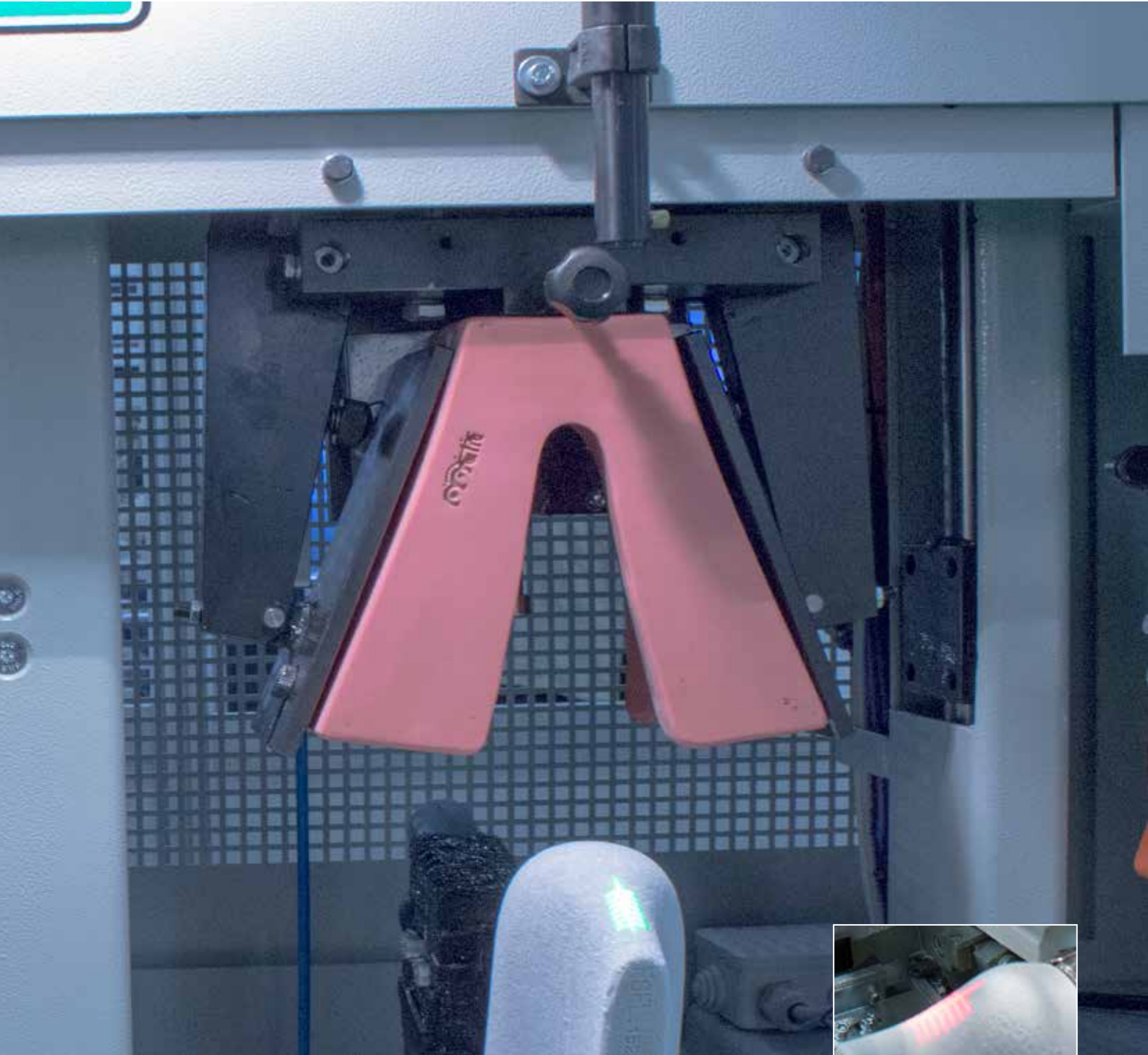
Resistant to vibrations up to 90 Hz. CCEA's LED pointers are particularly suitable for industrial applications. They are installed where an accurate and precision alignment and positioning of parts or components is required.

They can be used on machines for shoe manufacturing, sewing machines, punching and eyeleting machines, fabric cutting machines, ironing machines, textile printing and sealing machines.

- HIGH efficiency LED used
- Anodized aluminium housing
- 60,000 hours keeping the same efficient flow beam;
- 3 LED colours available: White, Red and Green for marking a wide series of colour materials and surfaces;
- 8 diaphragms and customization for many different applications;
- 4 focal lengths: 28,32,52,87 for distances from 8 to 100 cm from the surface;
- 1W and 3W power;
- Power supply in Low Tension 12 / 24Vdc and 110 / 230VAC
- EMC
- 3 versatile brackets for full adjustment
- Non Photobiological risk



UNIQUE
FLEXIBLE
RELIABLE
VERSATILE
AND LONG-LASTING
LED POINTING SOLUTION



CCEA invented the first LED pointers as far as 1998. Since then the LED technology has constantly kept developing and in CCEA we have seen **a great opportunity** to create and wider the **Unique** range of pointing systems exploiting the **peculiar features of the High efficiency LED**.

Thanks to **“four flexible focal lengths”**, “28-32-52-87”, CCEA's LED pointers can be positionate from 8 to 100 cm, projecting a very precise symbol just over the surface material by adjusting upward or downward the lens holder.

CCEA pointers have equipped only with the first selection of High efficient LED making this product **reliable** and safe for the eyes. They

can fully be used safely even on reflective surfaces without the need of safety glasses.

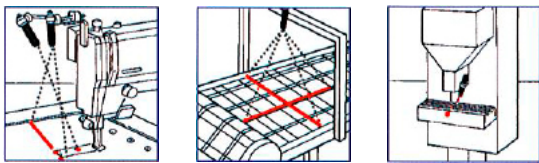
Versatile: With 8 diaphragms and 3 LED colours: red, green and white, CCEA pointers give a wide choice of combinations for countless applications.

The latest **Long-lasting** generation LEDs guarantee a lifetime of 60,000 hours of work with no loss of intensity and compatible to Electromagnetism EMC

Low voltage power supply from 9-48Vdc and main voltage from 110-230Vac ensure that they can be used throughout the world.

LED POINTERS

Technical datasheet



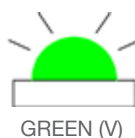
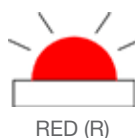
LED pointing system for aligning and positioning of materials. Vibration-resistant, 3 colors and eight diaphragms. Fastenings available ART.16, ART.34 and ART.36. Connecting via plug-pin M / F for a quick and safe connection. 24Vdc or 100-230V power supply unit to be ordered separately.

Applications:

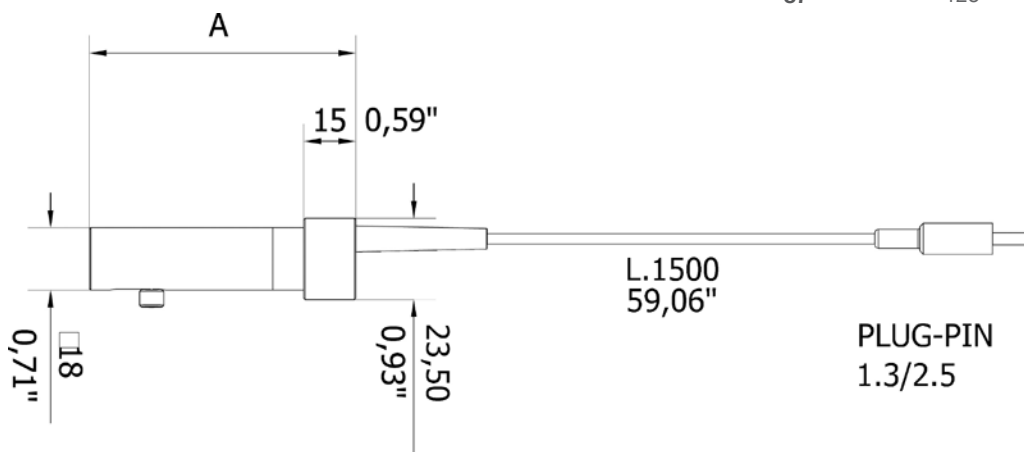
- shoe machines
- sewing machines
- eyelet machines
- cutting machines
- ironing machines
- presses for textile printing
- sealing machines



Colors available



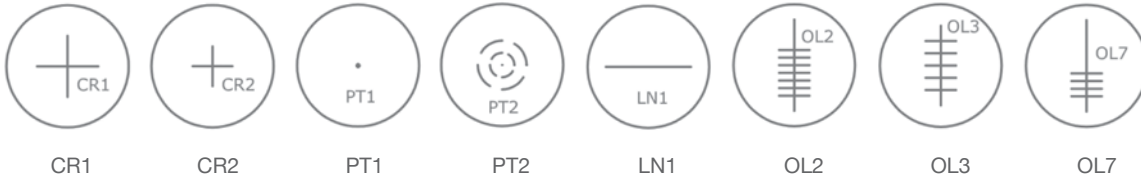
FOCALE	A (mm)
28	80
32	80
52	92
87	125



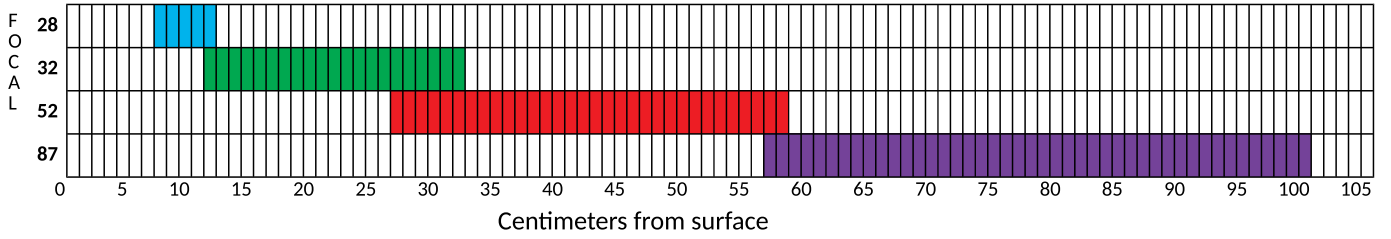
TECHNICAL FEATURES

	POINTER 1W	POINTER 3W
Tension	3,2 Vdc	3,2 Vdc
Power	1 W	3 W
Current	0,35 A	0,45 A
IP protection	IP40	IP40
LED type	Power LED	Power LED
LED lifespan	50.000 hours	50.000 hours
Light color	white, red or green	white, red or green
Structure	anodized aluminium	anodized aluminium
Cable	PVC L1,5m with plug pin 1,3	PVC L1,5m with with plug pin 2,5

8 DIAPHRAMS



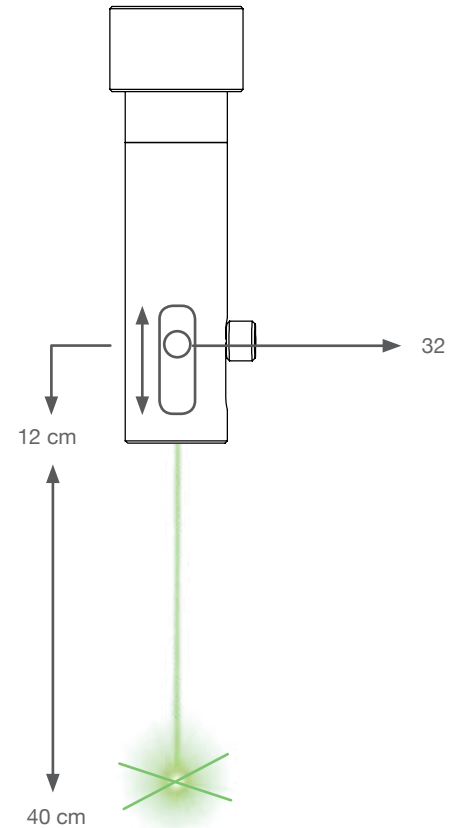
Use the right focal length according to the distance



HOW CHOOSE YOUR CONFIGURATION

Focals	Diaphragms	Power	Colors
28	CR1	L1 (1W)	RED (R)
32	CR2	L3 (3W)	GREEN (V)
52	PT1		WHITE (B)
87	PT2		
	OL2		
	OL3		
	OL7		

32.CR1.L1.V

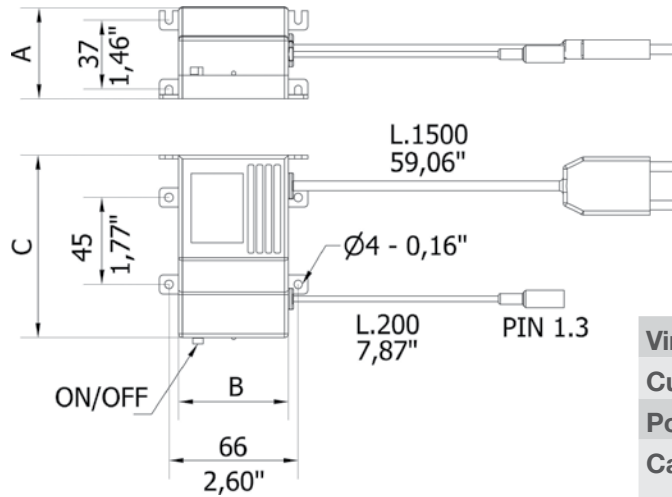


POWER SUPPLY

Technical datasheet

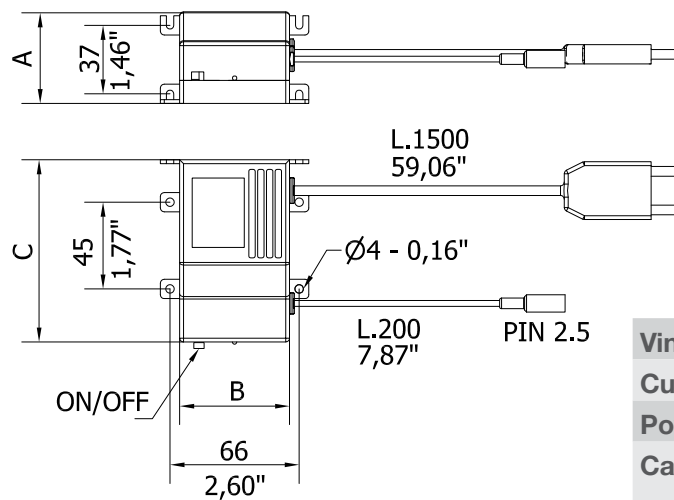
POWER SUPPLY (to be ordered separately)

A7LED1W



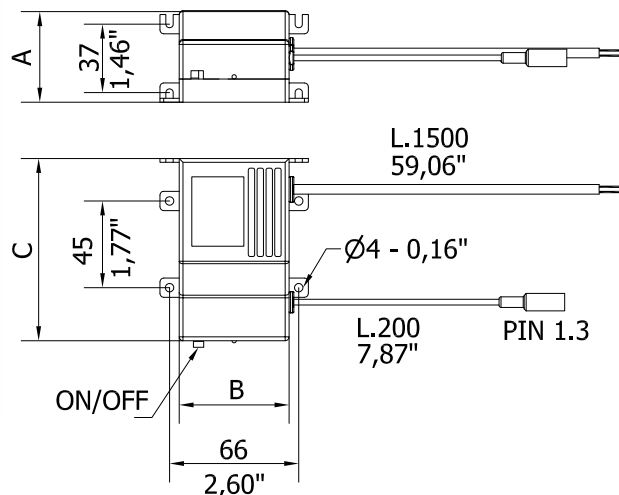
Vin	100-230V
Current	350 mA
Power	1 W
Cable	PVC L1,5m with europlug

A11LED3W



Vin	100-230V
Current	500 mA
Power	3 W
Cable	PVC L1,5m with europlug

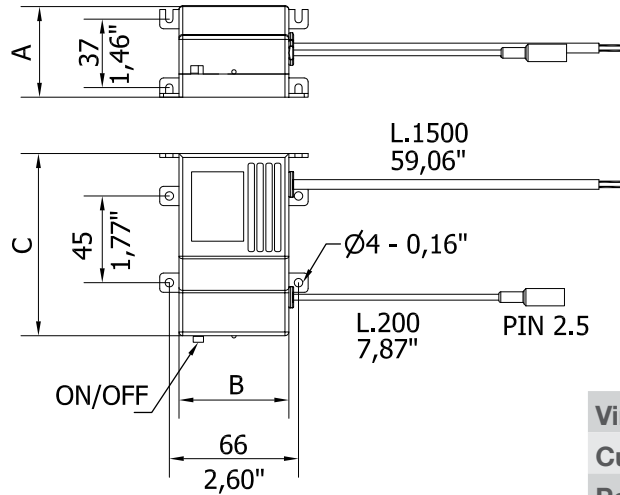
A24LED1W



Vin	10-52V
Current	350 mA
Power	1 W
Cable	PVC L1,5m

POWER SUPPLY (to be ordered separately)

A24LED3W



Vin	10-52V
Current	500 mA
Power	3 W
Cable	PVC L1,5m



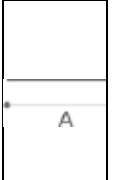
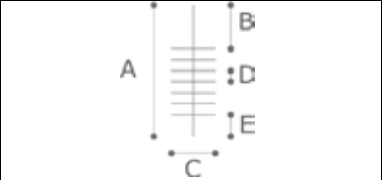
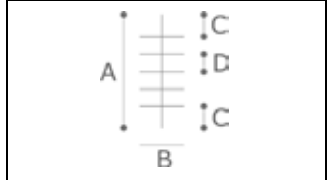
FOCAL LENGTHS

Technical datasheet



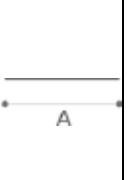
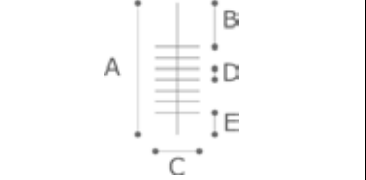
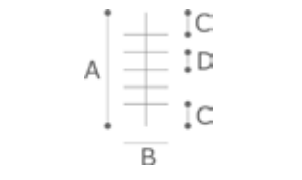
FOCAL LENGTHS 28

Focal lengths 28														
DISTANCE FROM SURFACE	CR1		CR2		LN1	OL2					OL3			
	A (mm)	B (mm)	A (mm)	B (mm)	A (mm)	A (mm)	B (mm)	C (mm)	D (mm)	E (mm)	A (mm)	B (mm)	C (mm)	D (mm)
7	10	10	6,5	6,5	15,5	16,5	5,75	4,75	0,75	2	12,75	5	2,25	1,5
8	12,5	12,5	8	8	18,25	19,75	6,75	5,75	1	2,5	15,75	6,25	2,75	1,75
9	14	14	9,5	9,5	21,5	22,75	7,75	6,75	1,5	3,25	19	7,5	3,25	2
10	16,5	16,5	10,5	10,5	24	26	8,75	7,75	1,5	3,25	21	8,25	3,75	2,5
11	18,5	18,5	11,5	11,5	26	27,75	9,5	8,25	1,75	3,75	24,25	9,5	4,25	2,75

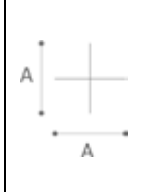
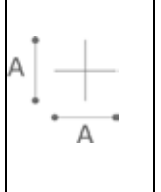
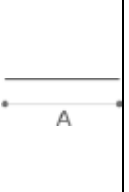
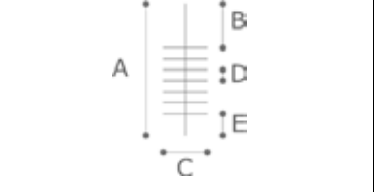
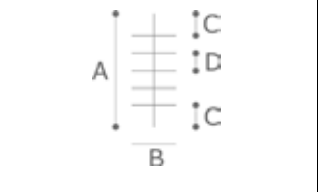
Focal lengths 32

DISTANCE FROM SURFACE	 CR1		 CR2		 LN1	 OL2					 OL3			
	CM	A (mm)	B (mm)	A (mm)	B (mm)	A (mm)	A (mm)	B (mm)	C (mm)	D (mm)	E (mm)	A (mm)	B (mm)	C (mm)
12	14	14	9	9	19,25	19,75	6,75	6,25	1	2,75	18	7,5	3	2
13	15	15	10	10	21,25	22,25	7,75	7,25	1,25	3	20	8	3,8	2,3
14	16	16	11	11	23,5	24,5	8,5	8	1,5	3,5	22	9	4	2,5
15	18	18	11,5	11,5	26,5	27,5	9,25	8,5	1,6	3,75	24,3	9,8	4,3	2,8
16	20	20	12	12	28,5	29,25	10	9,25	1,75	4,25	26	10,5	4,8	3
17	22	22	13	13	30,25	31,75	11	10	2	4,5	28,5	11,5	5	3,25
18	23,5	23,5	14,5	14,5	32,5	34	11,5	10,5	2	4,75	30	12	5,5	3,5
19	24,5	24,5	15	15	35	36,25	12,3	11,3	2	5	32,5	13	5,75	3,75
20	26	26	16	16	36,75	38,5	13,3	12	2,3	5,5	34,75	14	6	4
21	27,5	27,5	17	17	38,75	41	14	12,8	2,5	5,8	35,5	14,5	6,25	4,25
22	29,5	29,5	18,25	18,25	40,5	43	14,5	13,3	2,6	6	38,5	15,5	6,75	4,5
23	30	20	19	19	43,25	45,3	15,3	14	2,5	6,3	40,5	16	7,25	4,75
24	31,5	31,5	19,25	19,25	44,5	47,8	16	14,5	3	6,5	42	16,5	7,5	5
25	34,5	34,5	21	21	47,5	50	16,8	15,5	3	7	44	17	7,5	5,25
26	35,5	35,5	22,5	22,5	48,75	51,8	17,5	16	3,3	7,3	46	18	8,25	5,5
26	37	37	23	23	51	53,8	18	16,8	3,3	7,5	48	19	8,5	5,5
28	38,5	38,5	23,5	23,5	53,5	56,3	19	17,5	3,3	7,8	50	20	8,75	6
29	40	40	25	25	55,25	58,5	19,5	18,3	3,5	8	52	20,5	9	6
30	41,5	41,5	25,5	25,5	57	61	20,5	18,8	3,8	6,5	53	21	9,5	6,5
31	43	43	26	26	59,25	63	21,3	19,8	4	8,8	57	22	9,75	6,5
32	45	45	27	27	61	65,8	22,3	20,3	4	9	57,5	22,5	10,3	7
33	46	46	28	28	64	67	22,5	21	4	9,5	60	23,5	10,5	7,25
34	47,5	47,5	29	29	66	69,8	23,5	21,8	4,3	9,8	61	24	11	7,5
35	49	49	29,5	29,5	67,75	71,25	23,5	22,25	4,5	10	64	25,5	11,2	7,75
36	51	51	30,5	30,5	70,25									
37	51,5	51,5	32	32	72									
38	53	53	33	33	73,75									
39	55	55	33,5	33,5	75,5									
40	56,5	56,5	34	34	78									

Focal lengths 52

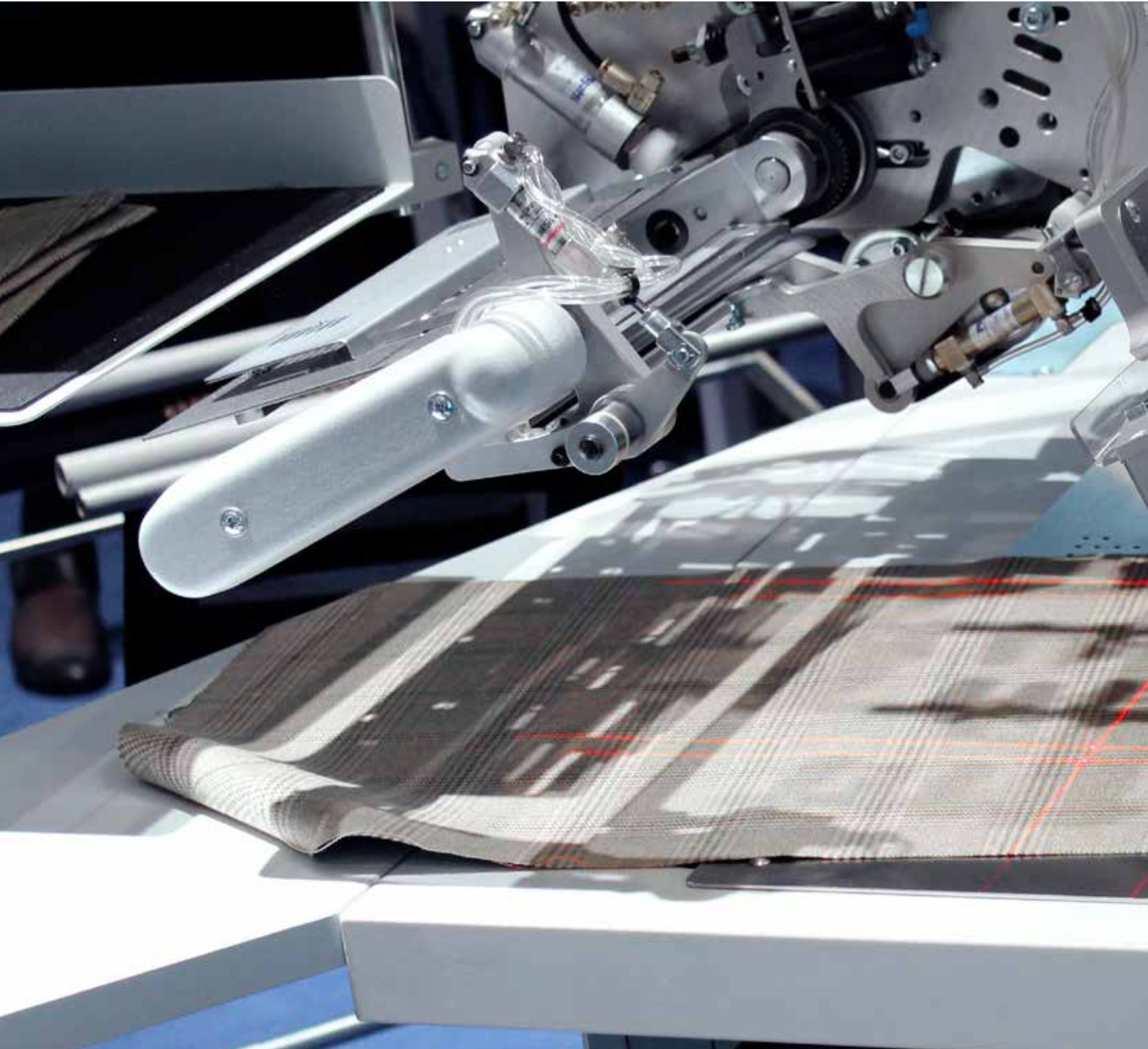
DISTANCE FROM SURFACE														
	CM	A (mm)	B (mm)	A (mm)	B (mm)	A (mm)	A (mm)	B (mm)	C (mm)	D (mm)	E (mm)	A (mm)	B (mm)	C (mm)
26	21,5	21,5	13	13	29,75	31	10,5	9,75	1,75	4,25	27,5	10,5	5	3,25
27	22,5	22,5	13,5	13,5	30,5	33,25	11,2	10,25	2	4,5	28	11	5	3,5
28	24	24	14	14	32,5	34,5	11,7	10,75	2,25	4,75	30	11,5	5,25	3,75
29	25	25	14,5	14,5	33,75	36,25	12,2	11,25	2,25	4,75	31	12	5,5	3,75
30	26	26	16	16	35,25	38	12,7	11,5	2,25	5	33	12,8	5,75	4
31	27,5	27,5	16,5	16,5	36,5	39,5	13,2	12	2,5	5,25	34	13,5	6	4
32	28,5	28,5	17,5	17,5	38	41	13,7	12,75	2,5	5,5	35	13,8	6,25	4,25
33	29	29	18	18	39,5	42	14,2	13,25	2,5	5,75	36,5	14	6,5	4,5
34	30,5	30,5	18,5	18,5	40,75	43,5	14,7	13,5	2,5	6	38,5	15	6,75	4,5
35	31,5	31,5	19	19	42,5	45,25	15,2	14	2,75	6,25	39,5	15,5	7	5
36	33	33	20	20	43,5	46,5	15,7	14,5	2,75	6,5	41	16	7	5
37	34	34	20	20	44,75	48,25	16,2	14,75	3	6,5	42	16,5	7,5	5
38	34,5	34,5	21	21	46,5	49,75	16,7	15,5	3,25	7	43,5	17	7,75	5,25
39	35,5	35,5	21	21	48	51,25	17,2	16	3,25	7,25	45	17,5	8	5,5
40	36,5	36,5	22	22	49,5	53,25	18	16,5	3,5	7,5	46,5	18	8,25	6
41	37,5	37,5	22,5	22,5	50,75	54	18,2	17,25	3,5	7,5	47,5	18,5	8,25	6
42	38,5	38,5	23,5	23,5	53	55,5	18,5	17,5	3,5	7,75	49	19	8,75	6
43	40,5	40,5	24	24	54	56,75	19,2	17,75	3,75	7,75	49,5	19,2	8,75	6
44	40,5	40,5	24,5	24,5	55	58,5	19,7	18,5	3,75	8	51,5	20	9	6,5
45	41,2	41,2	25,5	25,5	56,5	60	20	18,75	3,75	8,25	52	20,5	9,5	6,5
46	42,5	42,5	26	26	58,25	61,5	20,7	19,25	4	8,5	54	21	9,5	6,5
47	43,2	43,2	26,5	26,5	59,5	63	21	19,5	4	8,75	55,5	21,5	9,75	6,75
48	44	44	27	27	60,25	64,75	21,7	20	4,25	8,75	57	22	10	7
49	46,5	46,5	27,5	27,5	61,75	66	22	20,75	4,25	9,25	57,5	22,5	10	7
50	47	47	28	28	64	68	22,7	21	4,25	9,25	58,5	23	10,5	7
51	48	48	28,5	28,5	65,25	68,5	23	21,5	4,5	9,5	60	23,5	10,5	7,5
52	49,5	49,5	29,5	29,5	66,25	70,5	23,7	22	4,5	9,75	62,5	24	11	7,5
53	50	50	30	30	67,25	72	24,5	22,5	4,5	10	63,5	24,5	11	7,75
54	50,5	50,5	30,5	30,5	68,75	72,75	24,5	23	4,75	10	65	25	11,5	8
55	51,5	51,5	30,5	30,5	70	74,75	25	23,5	4,75	10,5	67	26	11,7	8
56	53	53	31,5	31,5	71	76,75	26	24	5	10,7	68	26,5	12	8,25
57	54	54	32	32	73	77,75	26,2	24,25	5	10,7	70	27,5	12	8,25
58	55	55	32,5	32,5	75	79,25	26,2	24,75	5,25	11	70,5	27,5	12,5	8,5
59	56	56	34	34	75,75	79,75	26,7	25	5,25	11,2	71,5	27,5	12,5	8,75
60	57,5	57,5	34,5	34,5	77	82,5	27,5	25,5	5,25	11,5	72	27,7	12,5	9
61	57,5	57,5	35	35	78,5	82,75	27,7	26	5,25	11,5	73,5	28,5	12,7	9,25
62	59	59	35,5	35,5	79,75	84,5	28,2	26,5	5,25	11,7	74,5	29	13,2	9,25
63			35,5	35,5	81						76,5	29,7	13,5	9,5
64			36,5	36,5							77,25	29,7	13,5	9,75
65			37	37							79	30,5	14	9,75

Focal lengths 87

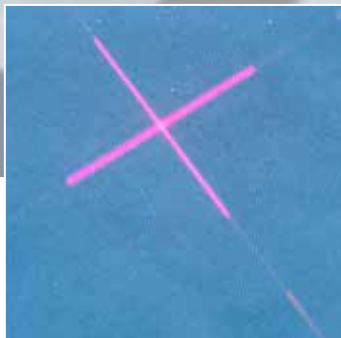
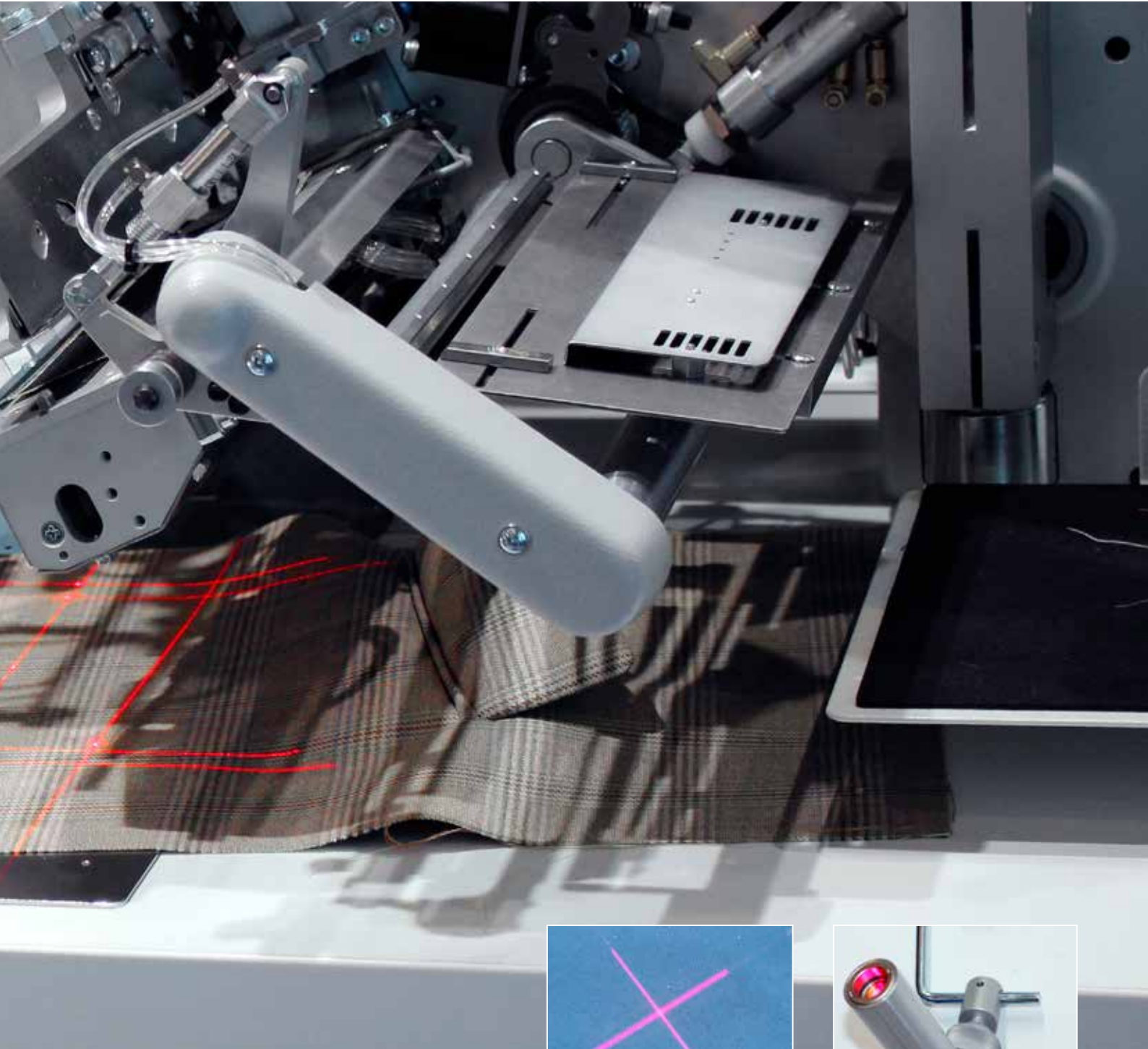
DISTANCE FROM SURFACE														
	CM	A (mm)	B (mm)	A (mm)	B (mm)	A (mm)	A (mm)	B (mm)	C (mm)	D (mm)	E (mm)	A (mm)	B (mm)	C (mm)
60	32,2	32,2	19,7	19,7	44	48,25	16,2	15,25	3	6,5	41	16	7,5	5
61	32,5	32,5	20	20	44,5	49,25	16,7	15,5	3	6,5	41,25	16,2	8	5,25
62	33,7	33,7	20,5	20,5	45,5	49,75	17	15,75	3	6,75	42,5	16,5	8	5,25
63	33,7	33,7	21	21	46,75	50,5	17,2	16	3	7	44	17,2	8,25	5,25
64	34,5	34,5	21	21	47,5	51,5	17,5	16,25	3	7,25	44,5	17,5	8,25	5,5
65	35,5	35,5	21,5	21,5	48,25	52,5	17,7	16,5	3,25	7,25	44,75	18	8,25	5,5
66	36	36	22,2	22,2	49	53,25	18	16,75	3,25	7,25	45,75	18	8,5	5,5
67	36,5	36,5	22,5	22,5	50	54,25	18,2	17	3,25	7,25	46,5	18,5	8,5	5,5
68	37,2	37,2	22,7	22,7	50,75	55,25	18,5	17,25	3,25	7,5	47,5	18,7	8,75	5,75
69	37,5	37,5	23,2	23,2	52	56,25	19	17,75	3,5	7,5	48,5	19	9	5,75
70	38,2	38,2	23,5	23,5	52,5	57,25	19,2	18	3,5	7,5	49,5	19,5	9	6
71	39	39	24	24	53,5	57,5	19,2	18	3,5	8	50,25	19,5	9,25	6,25
72	39,2	39,2	24,5	24,5	54,5	58,75	19,5	18,5	3,75	8,25	51	20	9,5	6,25
73	40	40	24,7	24,7	56	60,25	20,2	19	3,75	8,25	51,75	20,2	9,5	6,5
74	40,7	40,7	25	25	56,5	60,75	20,2	19	3,75	8,25	52,5	20,5	9,75	6,5
75	42	42	25,5	25,5	57,25	61,25	20,5	19,25	3,75	8,5	53,25	21	9,75	6,75
76	42	42	25,7	25,7	58,5	62,5	21	19,5	4	8,5	54	21,5	9,75	6,75
77	42,5	42,5	26	26	59	63,5	21,2	19,75	4	9	54,25	21,2	10	6,75
78	43	43	26,5	26,5	59,5	64,25	21,5	20,25	4	9	55,25	21,5	10	6,75
79	44,5	44,5	27	27	60,25	65,25	21,7	20,5	4	9	56,5	21,7	10	7
80	45	45	27,2	27,2	61,5	65,75	22	20,75	4	9,25	57,5	22,5	10,5	7
81	45,2	45,2	27,5	27,5	62,25	67,25	22,2	21,25	4,25	9,25	58,25	23	10,7	7,25
82	46	46	28	28	63,25	68,5	23	21,75	4,25	9,5	59,5	23	10,7	7,25
83	47	47	28,5	28,5	63,75	69,25	23,2	21,5	4,25	9,5	60	23,2	10,7	7,5
84	47	47	29	29	64,75	69,75	23,2	21,75	4,25	9,5	61	23,5	10,7	7,5
85	48	48	29,2	29,2	65,5	71,25	23,5	22,25	4,5	9,75	61,5	23,7	11	7,5
86	48,5	48,5	29,5	29,5	66,5	71,75	23,7	22,5	4,5	9,75	62,5	24,2	11,5	7,75
87	48,7	48,7	30	30	67,25	72,5	24,2	22,5	4,5	10,2	63,25	24,5	11,5	7,75
88	49,5	49,5	30,2	30,2	68,75	73,75	24,7	23,25	4,75	10,2	64	24,7	11,5	7,75
89	50	50	30,5	30,5	69,25	74,75	24,7	23,5	4,75	10,5	65,25	25,2	11,7	8
90	51	51	31	31	70,25	75	25,2	23,5	4,75	10,5	66,5	26	11,7	8
91	51,7	51,7	31,5	31,5	70,75	76	25,2	24	4,75	10,5	67,5	26,2	12	8,25
92	52	52	32	32	72	77	25,7	24,25	5	10,5	67,75	26,2	12,2	8,5
93	52,7	52,7	32,2	32,2	72,75	78,5	26	24,75	5	11	68,5	26,5	12,2	8,5
94	53,2	53,2	32,7	32,7	74	79,5	26,7	25	5	11	69	26,5	12,5	8,5
95	54	54	33	33	74,5	80,75	27	25,5	5	11	69	26,7	12,5	8,5
96	54,2	54,2	33,2	33,2	75	81	27	25,75	5	11	71	27,5	12,5	8,5
97	54,7	54,7	34	34	76	82,25	27,5	25,75	5,25	11,2	72	28	13	8,75
98	55,5	55,5	34,5	34,5	77,25	82,5	27,7	26	5,25	11,5	72	28	13	9
99	56,5	56,5	34,5	34,5	77,5	83,75	28	26,5	5,25	11,7	73,5	28,5	13,5	9
100	56,5	56,5	35	35	78,5	85,25	28,5	26,75	5,25	11,7	74,25	28,5	13,5	9



| INDUSTRIAL LASER POINTING SYSTEMS



Laser pointers. Versatile and powerful,
for each application.



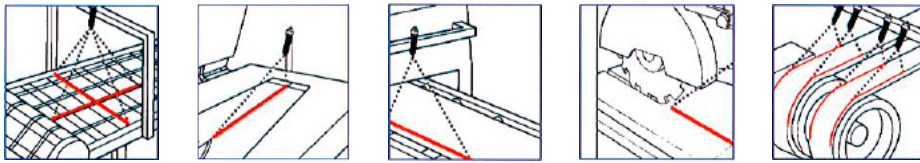
C.C.E.A. produces laser pointing systems since 1990 with the aim of providing a lasting and powerful solution for the alignment and positioning of materials in multiple sectors. C.C.E.A. lasers can be used in cutting machines for wood / stone / fabrics and paper, as crop marks for food, for the alignment of sheet metal and positioning of wheels and in the textile industry as a positioning aid and alignment of the fabrics.

C.C.E.A. produces positioning laser in different versions, including two colors, green and red, 3 holograms and a power of 12 mW laser system.

The pointing systems facilitate the workflow and optimize the production process. Our products provide high performance and high quality diaphragms.

RED LASER POINTER

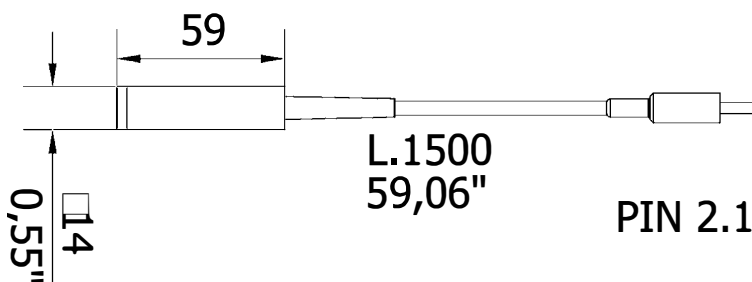
Technical datasheet



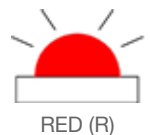
Red laser system with 3 holograms available, point-line-cross.
Resistant to vibration, fastening with Art.36. Connecting via
M / F plug-pin for a fast and secure connection.
230V power supply to be ordered separately.

Applications:

- textile positioning and cutting
- cutting machines for stone, wood and paper
- metal sheets alignment
- crop marks for food (meat, vegetables, fish)
- positioning of wheels



Colors available



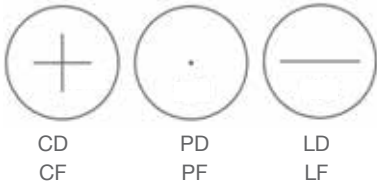
RED (R)



TECHNICAL FEATURES

	WEAK LASER	BRIGHT LASER
Power supply	230 V	230 V
Power	1 mW	3 mW
Current	40 mA	40 mA
IP degree	IP40	IP40
Class of risk	2 (EU)	3R (EU)
Laser lifespan	4.000 h	4.000 h
Wavelength	645 - 665 nm	645 - 665 nm
Beam color	Red	Red
Collimating lens	Plastic aspheric lens	Plastic aspheric lens
Structure	anodized aluminium	anodized aluminium
Cable	PVC L1,5m with jack	PVC L1,5m with jack
Divergence	1.2 mrad	1.2 mrad

HOLOGRAMS AVAILABLE



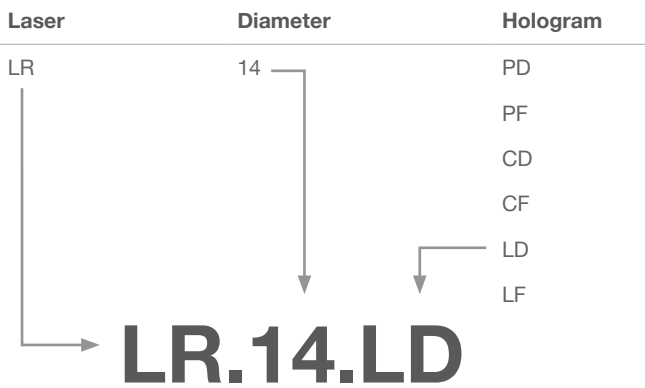
ORDER CODES

LR.14.PD	weak point - 1 mW	LR.14.LF	bright line - 3 mW
LR.14.PF	bright point - 3 mW	LR.14.CD	weak cross - 1 mW
LR.14.LD	weak line - 1 mW	LR.14.CF	bright cross - 3 mW

PROJECTION DIMENSION

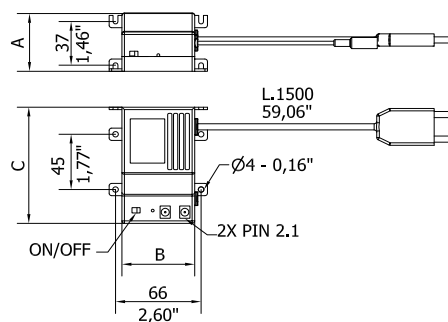
Code	h.10cm	h.20cm	h.30cm	h.40cm	h.60cm	h.80cm	h.100cm	h.120cm	h.150cm
LR.14.LD	20cm	40cm	60cm	70cm					
LR.14.LF				70cm	100cm	120cm	145cm	160cm	190cm
Code	h.10cm	h.20cm	h.30cm	h.40cm	h.60cm	h.80cm	h.100cm	h.120cm	h.150cm
LR.14.CD	15x15mm	25x25mm	45x45mm						
LR.14.CF				65x65mm	95x95mm	125x125mm	155x155mm	185x185mm	230x230mm

HOW CHOOSE YOUR CONFIGURATION



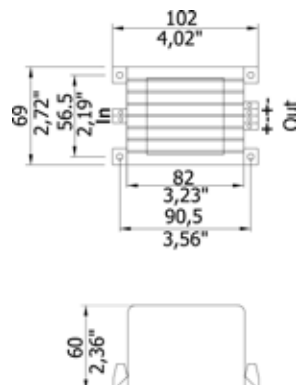
POWER SUPPLY UNIT (to be ordered separately)

ALASER2230



Power supply	230V
Vout	2.3 Vdc
Power	1,2 W
Cable	PVC L1,5m with europlug

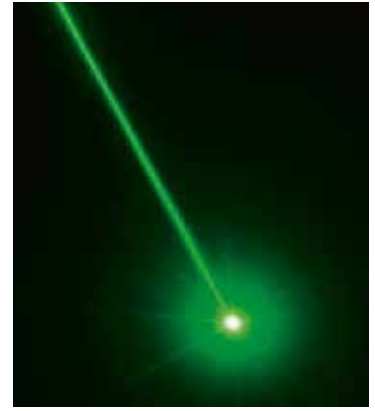
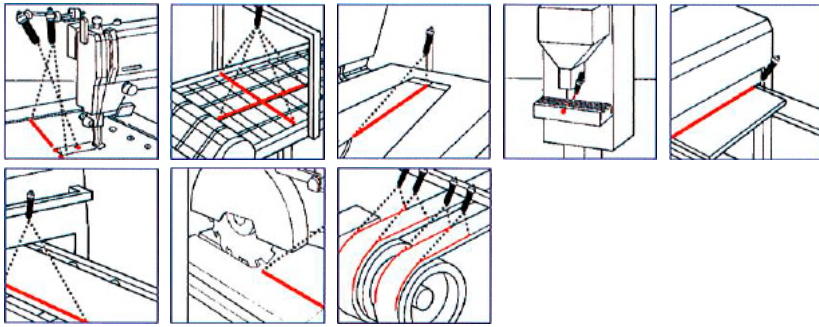
ALASER24



Power supply	24Vac
Vout	3.2 Vdc
Power	1,2 W

GREEN LASER POINTER

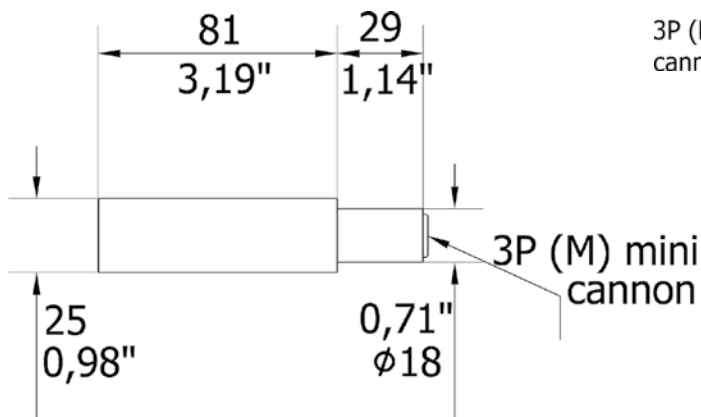
Technical datasheet



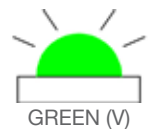
Green laser pointer system with 3 holograms available, point-line-cross. Resistant to vibrations, high degree of protection IP65, fastening with ART.16, ART.34 and ART.36. 230V power supply unit to be ordered separately.

Applications:

- textile positioning and cutting
- cutting machines for stone, wood and paper
- metal sheets alignment
- crop marks for food (meat, vegetables, fish)
- positioning of wheels



Colors available

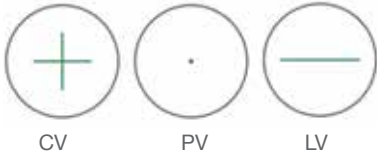


TECHNICAL FEATURES

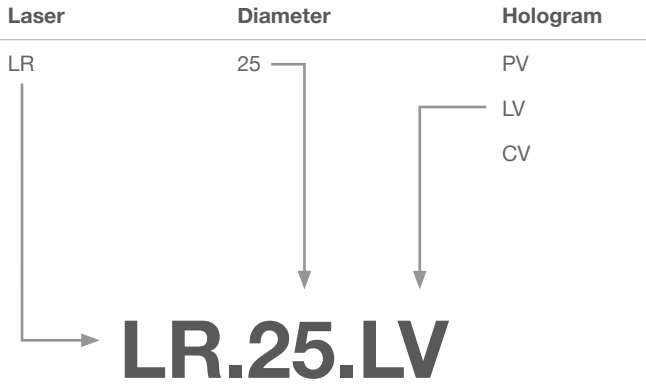
GREEN LASER

Tension	2,7-3,3V
Power	1-5mW
Current	250- 350mA
IP degree	IP65
Class of risk	3A
Laser lifespan	4.000 h
Wavelength	532 nm
Light color	green
Collimating lens	glass (Ø 6,5mm)
Structure	anodized alumium
Cable	PVC L1,5m with jack
Divergence	< 0,3 mrad

DIAPHRAGMS AVAILABLE



HOW CHOOSE YOUR CONFIGURATION



PROJECTIONS DIMENSIONS

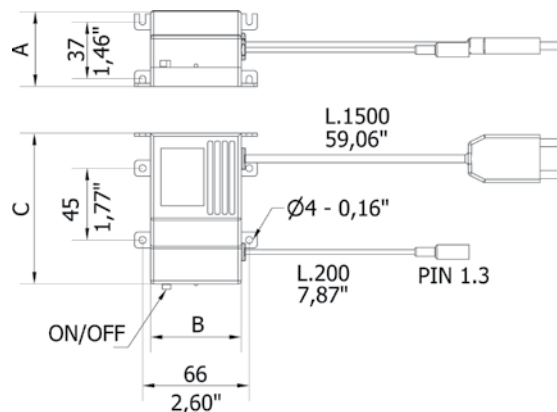
Code	h.20cm	h.30cm	h.40cm	h.60cm	h.80cm	h.100cm	h.200cm	h.300cm
LR.25.LV	35cm	50cm	65cm	100cm	135cm	170cm	330cm	480cm
LR.25.CV	35cm	50cm	65cm	100cm	135cm	170cm	330cm	480cm

ORDER CODES

LR25PV point - green | LR25LV line - green | LR25CV cross - green

POWER SUPPLY UNIT (to be ordered separately)

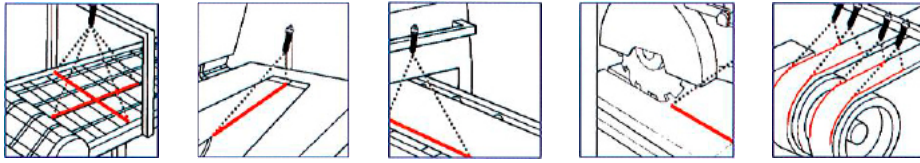
A7.LR.V



Power supply 230V
Vout 3,2 V
Power 3,5 W
Cable PVC L1,5m with europlug

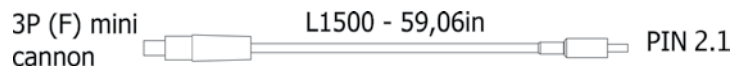
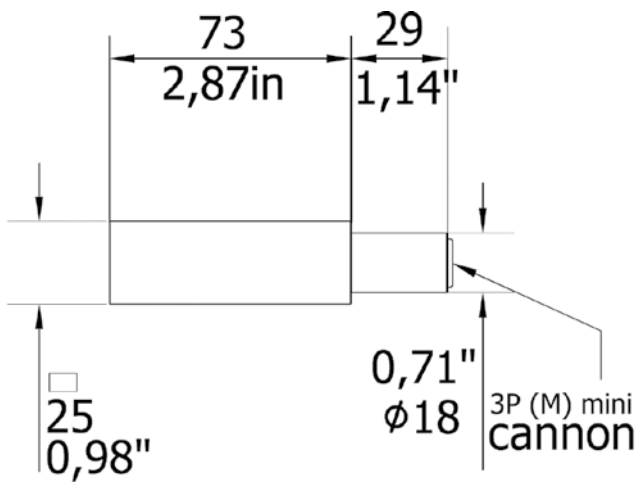
GRAY12

Technical datasheet

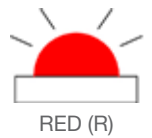


Power red laser with 12 mW, line hologram available.
Resistant to vibrations, high degree of protection IP65. Three fastenings available ART.16, ART.34 e ART.36.
230V power supply unit to be ordered separately.

- Applications:
- textile positioning and cutting
 - cutting machines for stone, wood and paper
 - metal sheets alignment
 - crop marks for food (meat, vegetables, fish)
 - positioning of wheels



Colors available



TECHNICAL FEATURES

	GRAY12
Tension	2,6 - 5 Vdc
Power	12 mW
Current	< 100 mA
IP degree	IP65
Class of risk	2
Laser lifespan	10.000 h
Wavelength	645 - 665
Beam light	red
Collimating lens	glass (Ø 6,5mm)
Structure	anodized alumium
Cable	PVC L1,5m with jack
Beam	>90°

HOLOGRAMS AVAILABLE



PROJECTIONS DIMENSIONS

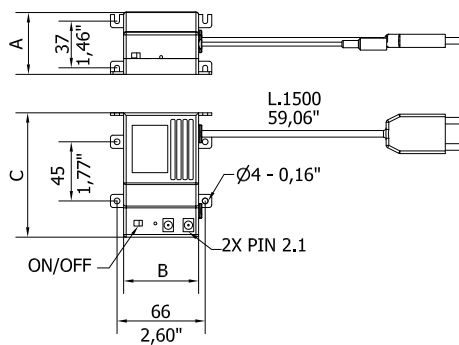
Distance	1,00 m	2,00 m	3,00 m	4,00 m	5,00 m
GRAY12	150 cm	310 cm	450 cm	550 cm	700 cm

ORDER CODES

GRAY12 line - red

POWER SUPPLY UNIT (to be ordered separately)

AGRAY20



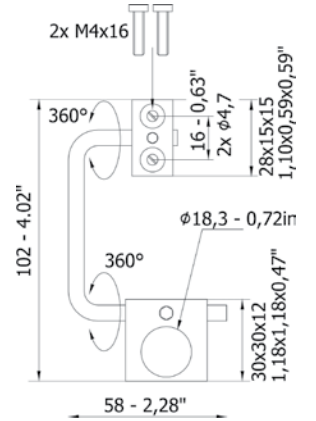
Power supply	230V
Vout	3,2 V
Power	3,5 W
Cable	PVC L1,5m with europlug

FASTENINGS

Code	Description	Fastening
------	-------------	-----------

ART.16	Metallic arm	Screws
--------	--------------	--------

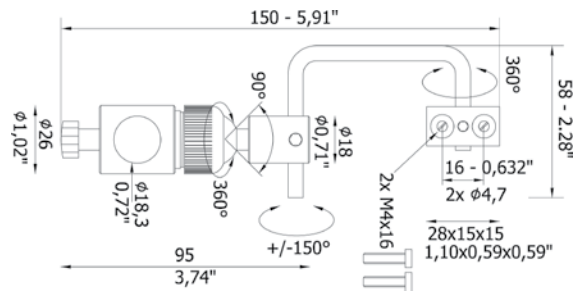
Adjustable metallic arm for fastening of LED pointers, green lasers and Gray12



Code	Description	Fastening
------	-------------	-----------

ART.34	Articulated arm	Screws
--------	-----------------	--------

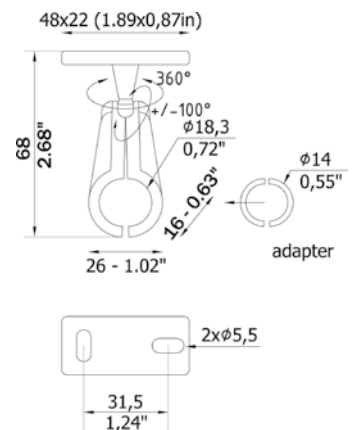
Articulated metallic arm for fastening of LED pointers, green lasers and Gray12



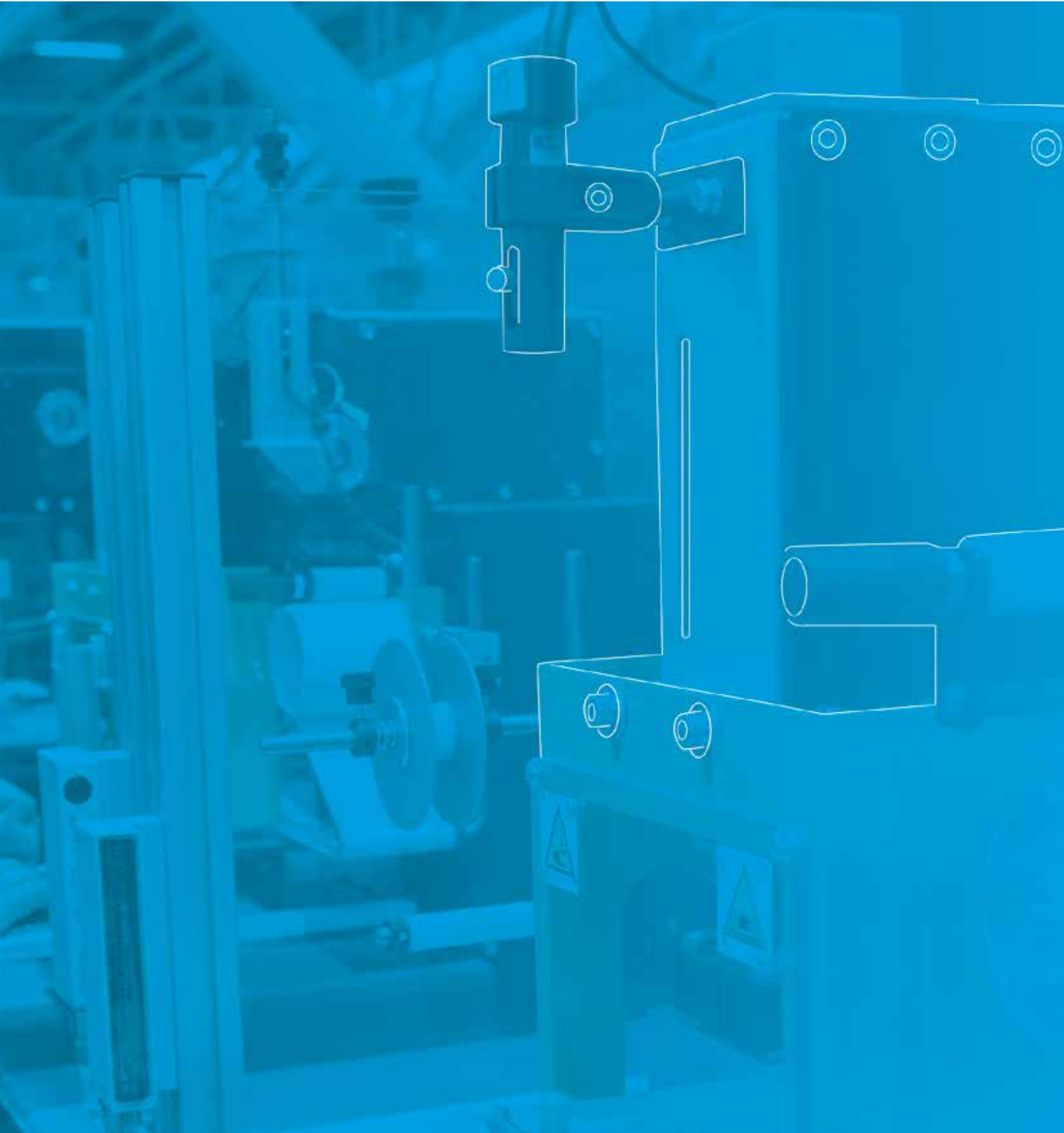
Code	Description	Fastening
------	-------------	-----------

ART.36	ABS arm	Screws
--------	---------	--------

ABS arm for fastening of LED pointers, red lasers LR14, green lasers and Gray12







C.C.E.A. srl

Via Piave, 2
36077 - Altavilla Vicentina (VI) - Italy

Tel. +39 0444 572083
Fax +39 0444 572337

ccea@ccealights.com
www.ccealights.com