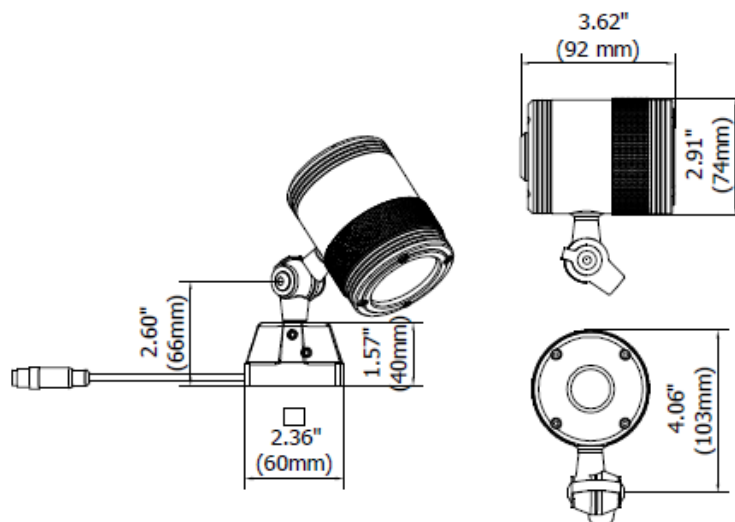


The lamps of the new Sirio series have the head completely in anodized aluminum with IP67 protection degree in order to withstand the most demanding industrial applications. Proposed in two versions: 3 and 6 LEDs, they exploit LED technology with high luminous efficiency. Sirios therefore offer maximum luminous efficiency for the most demanding local industrial lighting needs. Flicker-free and dimmable thanks to the brand-new touch switch, the SIRIO are compact LED lamps ideal for workplaces and manual machine tools such as manual and semi-automatic cutters, parallel lathes, drills, brushing machines. Thanks to the 3 arm possibilities, it guarantees a very precise adjustment of the head position.

- Structure made entirely of anodized aluminum
- Maintenance-free thanks to high efficiency LED technology
- Light source 3 or 6 power LED
- Light color 5,000 K
- 24 Vdc power supply via M12-A 3P connector
- Dimmable with touch system
- Optic 40° concentration lens
- External plug-in power supply available for 100 - 240 Vac power supply

## DIMENSIONS



## MECHANICAL FEATURES

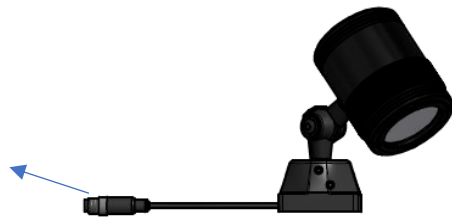
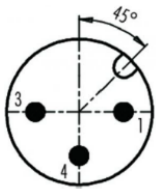
| Model                          | SR0321BC1   | SR0321BC5              | SR0621BC1              | SR0621BC5              |
|--------------------------------|---|------------------------|------------------------|------------------------|
| Casing Material                | Anodized aluminum   |                        |                        |                        |
| Side Caps                      | Anodized aluminum   |                        |                        |                        |
| Surface Treatment              | Standard: 10 microns of black aluminum solution oxidation |                        |                        |                        |
| Front Glass                    | 0.16 in (4 mm). thick, extra clear tempered glass         |                        |                        |                        |
| Weight (excluding accessories) | ~ 1.87 lb<br>(0.85 kg)                                    | ~ 1.87 lb<br>(0.85 kg) | ~ 1.94 lb<br>(0.88 kg) | ~ 1.94 lb<br>(0.88 kg) |
| Protection Index               | IP65  |                        |                        |                        |
| Impact Resistance              | 1.00 N m/s  | 1.00 N m/s             | 1.00 N m/s             | 1.00 N m/s             |
| Operating Temperature          | -20 °C / + 45 °C  |                        |                        |                        |
| Installation                   | SCREWS, CLAMP04, B02                                      |                        |                        |                        |

## ELECTRICAL FEATURES

| Model                   | SR0321BC1  | SR0321BC5                | SR0621BC1     | SR0621BC5                 |
|-------------------------|--|--------------------------|---------------|---------------------------|
| Power Input             | 6 W (@500mA)   | 6 W (@500mA) dimmerabile | 12 W (@500mA) | 12 W (@500mA) dimmerabile |
| Power Supply            | 24 Vdc   |                          |               |                           |
| Current                 | 0,25 A   |                          | 0,40 A        |                           |
| Device Power Protection | Protection against reverse polarity                                      |                          |               |                           |
| Electrical Connection   | M12 A Coding 3P with cable L. 9.2 ft (2,8 m)                             |                          |               |                           |
| Insulation Class        | Only lamp Class III (SELV)   |                          |               |                           |
| Efficiency Class        | A/A+/A++/A+++ (Integrated LED module) compliant with UE Law No. 874/2012 |                          |               |                           |

## CONNECTION

PUR 2x 0.34 mm<sup>2</sup> L= 9.2 ft. (2,8 m)



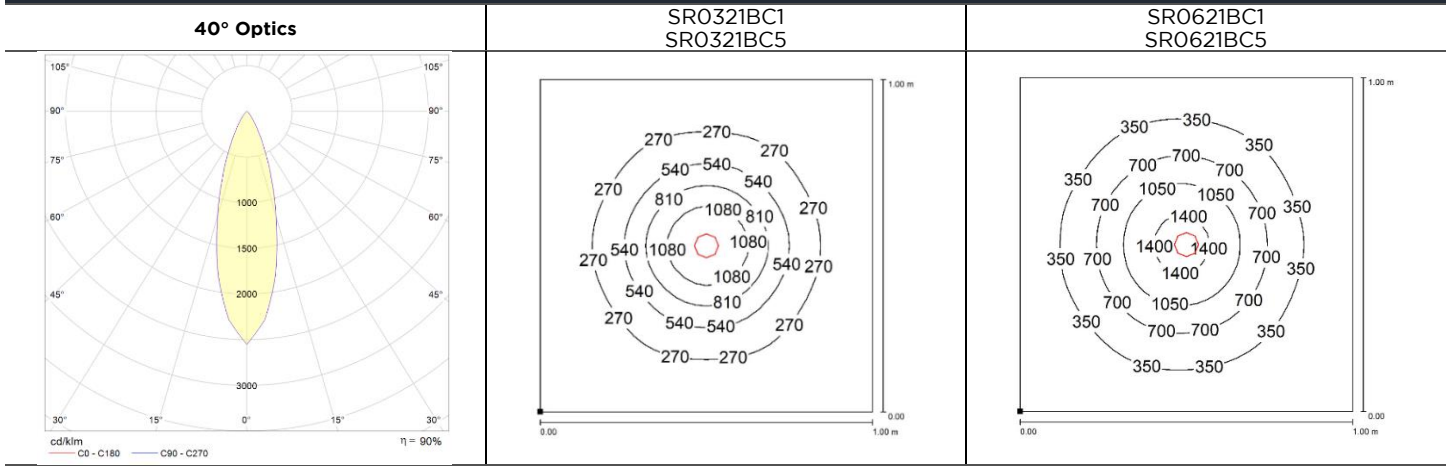
| Pin | Connection    |
|-----|---------------|
| 1   | + 24 Vdc      |
| 3   | 0 Vdc         |
| 4   | Not connected |

## OPTICAL FEATURES

| Model     | N° and Type of LEDs | LED Lifespan       | Light Color | CRI | Light Beam Angle | Luminous Flux | Efficiency |
|-----------|---------------------|--------------------|-------------|-----|------------------|---------------|------------|
| SR0321BC1 | 3 Power LED         | 60 000 h<br>L70 ** | 5,000 K     | 80  | 40° Optics       | ~ 450 lm      | ~ 75 lm/W  |
| SR0321BC5 | 3 Power LED         | 60 000 h<br>L70 ** | 5,000 K     | 80  | 40° Optics       | ~ 455 lm DIM  | ~ 75 lm/W  |
| SR0621BC1 | 6 Power LED         | 60 000 h<br>L70 ** | 5,000 K     | 80  | 40° Optics       | ~ 630 lm      | ~ 53 lm/W  |
| SR0621BC5 | 6 Power LED         | 60 000 h<br>L70 ** | 5,000 K     | 80  | 40° Optics       | ~ 630 lm DIM  | ~ 53 lm/W  |

\*\* Flow beam reduced by less than 30% after 60,000 hours

## PHOTOMETRIC DIAGRAMS



Distance graphic: 1m

## MOUNTING OPTIONS

| Product pictures | Description   | Code product   |
|------------------|---|----------------|
|                  | <p>Robust, versatile vibration-resistant metal clamp made of black powder-coated stainless steel. Quick assembly on workbenches, manual machine tools, drilling machines etc.</p> | <p>CLAMP04</p> |
|                  | <p>The strong neodymium magnetic base with high adhesion is the perfect solution for all applications that require both high adhesion and frequent changes in light position.</p> | <p>B02</p>     |

## EXTERNAL AC/DC CONVERTER 100 – 240 Vac

| Product pictures | Description                       | Code product      |
|------------------|-----------------------------------|-------------------|
|                  | <p>AC/DC 100-240Vac/24Vdc 18W</p> | <p>SR.230.18W</p> |

## ORDER CODES

| Model     | Description  |
|-----------|--|
| SR0321BC1 | SIRIO swivel head, 3 LED, 40°, 6W, 24Vdc, Cable 9ft(2.8m) with M12A-3P Male                |
| SR0321BC5 | SIRIO swivel head, 3 LED, 40°, 6W, 24Vdc, Cable 9ft(2.8m) with M12A-3P Male, Touch Switch  |
| SR0621BC1 | SIRIO swivel head, 6 LED, 40°, 12W, 24Vdc, Cable 9ft(2.8m) with M12A-3P Male               |
| SR0621BC5 | SIRIO swivel head, 6 LED, 40°, 12W, 24Vdc, Cable 9ft(2.8m) with M12A-3P Male, Touch Switch |
| CLAMP04   | Metal clamp for 2,36x2,36''(60x60mm) base  |
| B02       | Magnetic base with screw 2.36x2.36 inc.(60x60mm)   |