

## Stack height measurement sensor



### Your benefit!

- **Lateral stack height measurement**  
Continuous stack height measuring, even during removal of paper.
- **Integrated intelligence, accurate optics**  
Even if a paper sheet is moving and interfering objects are present, the stack height measurement sensor accurately measures the stack height.
- **Save money**  
Neither a reflector nor a background light is necessary - the sensor works using the „incident light principle“.

*Do you need accurate measurement of stack height involving paper and other sheeted materials? Additionally, do you still want to measure the stack height, even during the removal of your target?*

*When using Baumer electric's new laser stack height measurement sensor, you can identify the top edge of the stack within a resolution of 0,2 mm in the measuring window of 30 mm.*

*The sensor is laterally mounted relative to the stack, detecting height from the side, rather than the top, limiting false readings. Neither a reflector nor a background light is necessary - the sensor works using the „incident light principle“.*

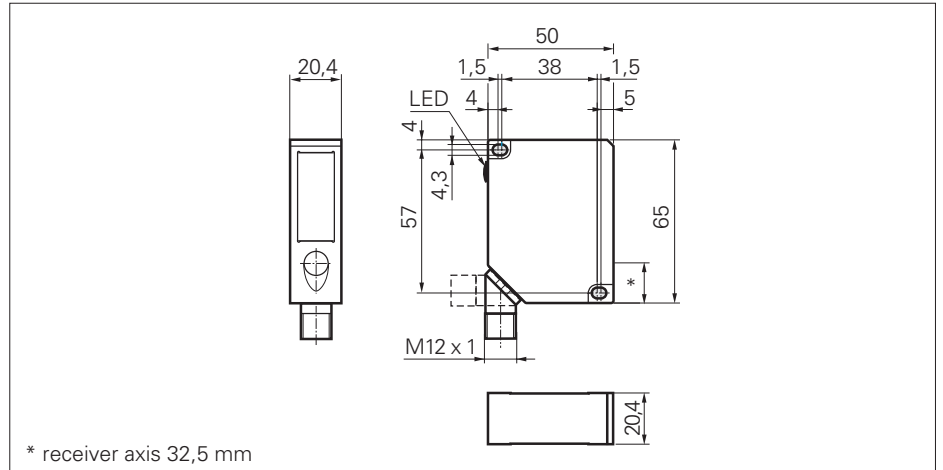
*Even if a paper sheet is moving the stack height measurement sensor accurately measures the stack height, thanks to the integrated intelligence. To indicate stack height, the sensor provides a linear analog output signal of 4...20 mA. Two available digital outputs allow the read-out of the following states: „no object“, „top edge is in measuring range“, and „whole measuring range covered by stack“.*



*Even if a paper sheet is moving or an air stream fans out the stack, the stack height measurement sensor accurately measures the stack height.*

# line sensor

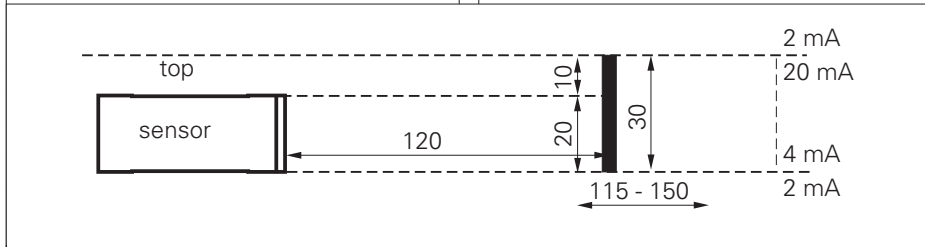
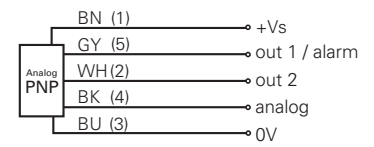
ZADM 020K 300.5011



technical data	
measuring range	30 mm
measuring distance to the object	120 mm
resolution	down to 0,2 mm
light source / wave length	infrared diode / 880 nm
measuring frequency	> 100/sec
analog output	4...20 mA / 2 mA for „no object“
switching output	PNP
number of switching outputs	2
voltage supply range +Vs	12 - 28 VDC
max. supply current	< 120 mA
switching current	< 100 mA
short circuit protection	yes
reverse polarity protection (only voltage supply)	yes
operating temperature range	0...+50 °C
front cover (optics)	glass
housing material	die-cast zinc
protection class	IP 67
connectors	ESG 34C

measuring range	30 mm
measuring distance to the object	120 mm
resolution	down to 0,2 mm
light source / wave length	infrared diode / 880 nm
measuring frequency	> 100/sec
analog output	4...20 mA / 2 mA for „no object“
switching output	PNP
number of switching outputs	2
voltage supply range +Vs	12 - 28 VDC
max. supply current	< 120 mA
switching current	< 100 mA
short circuit protection	yes
reverse polarity protection (only voltage supply)	yes
operating temperature range	0...+50 °C
front cover (optics)	glass
housing material	die-cast zinc
protection class	IP 67
connectors	ESG 34C

### connection diagram



### output status

	no object	top edge is in measuring range	whole measuring range covered by object
LED red	ON	OFF	ON
out1 / alarm	ON	OFF	ON
out2	OFF	ON	ON
analog out	2 mA	4 - 20 mA	20 mA