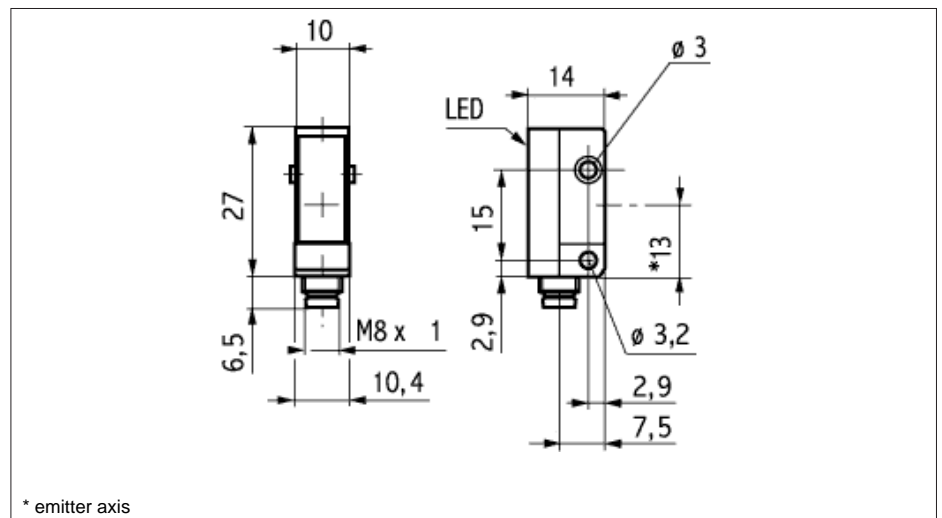


# Retro-reflective sensors (Polarization filter), rectangular, plastic FPDK 10P5101/S35A



Technical Data	
polarization filter	
function	
emitter / receiver	
output	
output state	
housing style	
width /diameter	
height	
depth	
housing material	
connection	
nominal range Sn	
actual range Sb	
beam focal point	
repeatability	
output indicator	
alignment aid / soiled lens indicator	
wave length	
light source	
laser class (norm)	
voltage supply range +Vs	
supply current average/peak value	
switching current	
voltage drop	
response time / release time	
automatic adjustment time	
min. pulse length teach signal	
sensitivity adjustable	
short circuit protection	
reverse polarity protection	
temperature range	
protection class	
connectors	

	yes
	retro-reflective sensor (rrs)
	-
	PNP
	light/dark operate
	rectangular
	10 mm
	27 mm
	14 mm
	plastic (ASA)
	connector
	0 - 2,2 m
	0 - 1,8 m
	-
	-
	LED yellow
	flashing LED
	660 nm
	pulsed red diode
	-
	10 - 30 VDC
	23 / 33 mA
	< 100 mA
	< 1,8 VDC
	< 1 ms
	-
	-
	-
	yes
	yes
	-25 ... +65 °C
	IP 67
	ES 8A, ES 9A, ESW 31A, ESG 32A

**photo**

**connection diagram**