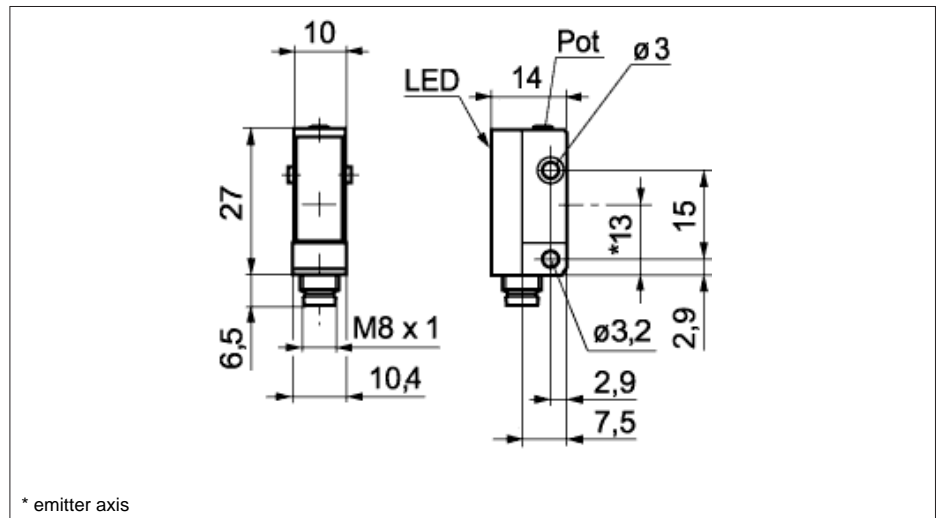


Retro-reflective sensors (Polarization filter), rectangular, plastic

FPDK 10P3402/S35A

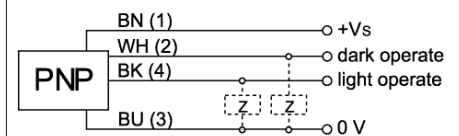


Technical Data	
polarization filter	yes
function	retro-reflective sensor (rrs)
emitter / receiver	-
output	PNP
output state	alarm output dark
housing style	rectangular
width /diameter	10 mm
height	27 mm
depth	14 mm
housing material	plastic (ASA)
connection	connector
nominal range Sn	0 - 0,9 m
actual range Sb	0 - 0,7 m
beam focal point	-
repeatability	-
output indicator	LED yellow
alignment aid / soiled lens indicator	flashing LED
wave length	660 nm
light source	pulsed red diode
laser class (norm)	-
voltage supply range +Vs	10 - 30 VDC
supply current average/peak value	23 / 33 mA
switching current	< 100 mA
voltage drop	< 1,8 VDC
response time / release time	< 1 ms
automatic adjustment time	-
min. pulse length teach signal	-
sensitivity adjustable	Pot, 240°
short circuit protection	yes
reverse polarity protection	yes
temperature range	-25 ... +65 °C
protection class	IP 67
connectors	ESW 31A,ESG 32A

photo



connection diagram



output switch state: Version with alarm output must be ordered either dark operate or light operate.