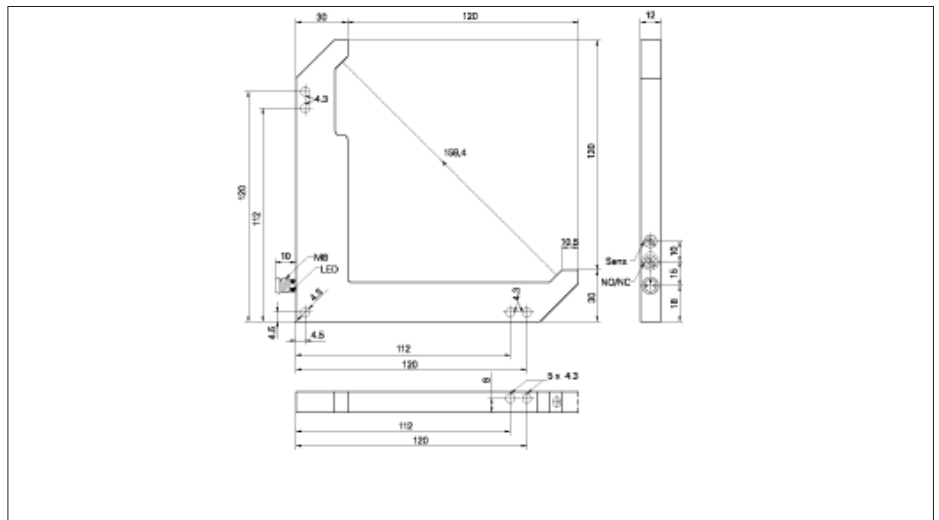


## Angle fork sensor, L profile

### FGLM 120P8001/S35L



Technical Data	
function	
Fork opening	
scan depth	
repeatability	
smallest recognizable object	
switching hysteresis	
response time / release time	
output	
output state	
switching current	
short circuit protection	
voltage drop	
output indicator	
voltage supply range +Vs	
reverse polarity protection	
supply current average/peak value	
light source	
wave length	
laser class (norm)	
sensitivity adjustable	
Ambient light immunity	
housing material	
housing style	
width /diameter	
height	
depth	
temperature range	
protection class	
connection	
connectors	

through beam sensor
120 mm
120 mm
0,06 mm
1 mm
< 0,25 mm
< 0,25 ms
PNP
light/dark operate switchable
< 200 mA
yes
< 2,8 VDC
LED yellow
10 - 35 VDC
yes
40 / 40 mA
pulsed red diode
660 nm
-
yes
50 kLux
die-cast zinc
L profile
150 mm
150 mm
12 mm
-10 ... +60 °C
IP 67
connector
ES 8.2P, ES 9.2P, ESW 31S, ESG32S

