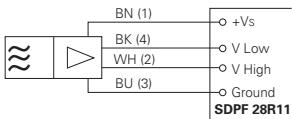

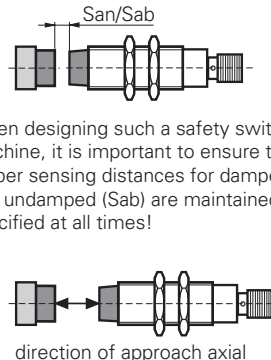


# Safety sensor

Dimension	18 mm	
 <ul style="list-style-type: none"> <li>• Only recognizes special target</li> <li>• Does not sense metal objects</li> <li>• Use only with amplifier SDPF 28R11</li> </ul>		
<b>Part number</b> sensor and target _____	<b>ISRM 18N9101/S14</b>	
<b>technical data</b> sensing distance San (target present) _____ sensing distance Sab (target not present) _____ supply voltage 8,2 V ±5% supply current < 12 mA output analog output current 425 µA / 670 µA ±5% reverse polarity protection (supply) yes short circuit protection yes switching frequency 10 Hz direction of approach axial min. displacement required 1,3 mm mounting style unshielded temperature range -25...+75 °C housing material brass nickel plated protection class IP 65		
<b>accessories connectors</b> 2 m PUR, straight, shielded* ES 34AP2B 5 m PUR, straight, shielded* ES 34AP5B 2 m PUR, angular, shielded* ES 33AP2B 5 m PUR, angular, shielded* ES 33AP5B * the sensor cable is shielded and must be grounded at the sensor end		
 <p>When designing such a safety switch into a machine, it is important to ensure that the proper sensing distances for damped (San) and undamped (Sab) are maintained as specified at all times!</p> <p>direction of approach axial</p> <p>Always approach the sensor head-on!</p>	