

NEW COMPACT FAN TYPE IONIZER

ER-Q^{SERIES}



Spot charge removal without compressed air
Environmentally Friendly & High Performance



Miniature
 A perfect fit for installation in other devices

Adjustable
 Includes volume adjuster to change fan blowing to meet your needs

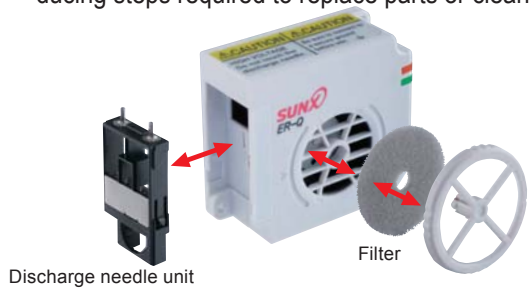
Safe design
 The LED display and output indicate maintenance timing and problems with the fan

Close to actual size

Incorporating our unique high-frequency AC method and "Sirocco fan", we have achieved excellent balanced charge removal performance even at slow fan speeds. Particularly well suited to spot charge removal on semiconductor post-processing and electronic component manufacturing equipment, these super compact units immediately solve your problems with static electricity without requiring compressed air.

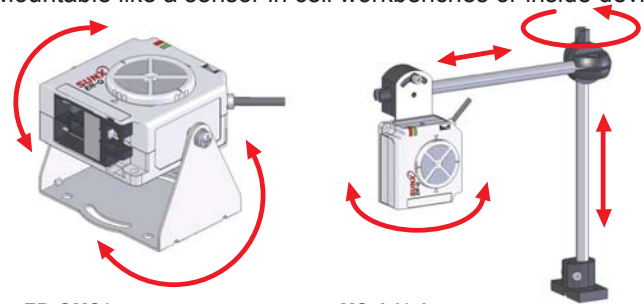
Simple maintenance

Assembled and disassembled in a single touch, reducing steps required to replace parts or clean filters.



Freely mounted: No air hoses necessary

Mountable like a sensor in cell workbenches or inside devices.



ER-QMS1 (optional mounting bracket)

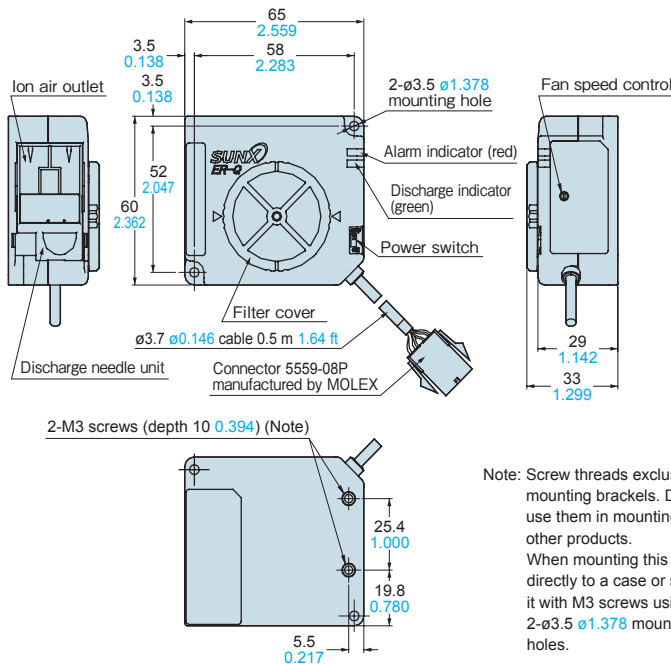
MS-AJ1-A (optional universal sensor mounting stand)

SPECIFICATIONS

Type	Compact fan type	
Item	Model No.	ER-Q
Charge removal time	1.5 sec. approx. (Note)	
Ion balance	±10 V or less (Note)	
Power supply voltage	24 V DC ± 10%	
Power consumption	200 mA or less	
Discharge method	High-frequency AC method	
Discharge output voltage	±2 kV approx.	
Max. fan speed	6.4 m/s (Note)	
Max. fan volume	0.2 m³/min	
Main functions	Discharge check, Discharge error, Fan error, Check output, Error output	
Indicators	Discharge (DSC): Green LED, Alarm (ALARM): Red LED	
Ozone generation amount	0.02 ppm or less (Note)	
Ambient temperature	0 to +50 °C +32 to +122 °F (No dew condensation) Storage: -10 to +65 °C +14 to +149 °F	
Ambient humidity	35 to 65% RH (No dew condensation) / Storage: 35 to 65% RH	
Vibration resistance	10 to 150 Hz frequency, 0.75 mm 0.030 in amplitude in X, Y and Z directions for two hours each	
Grounding method	C (capacitor) grounding	
Material	Enclosure: PBT, Discharge needle: Tungsten	
Weight	Main unit: 110 g approx.	
Accessories	Connector for wiring: 1 set [Manufactured by MOLEX: Housing (5557-08P), Terminal (5556T)]	

Note: Typical value at 100 mm 3.937 in from directly in front of air outlet, fan speed MAX, with no filter installed.

DIMENSIONS (Unit: mm in)



Note: Screw threads exclusive for mounting brackets. Do not use them in mounting with other products. When mounting this product directly to a case or such, fix it with M3 screws using 2-ø3.5 ø1.378 mounting holes.

OPTIONS

ER-QMS1/ Mounting bracket

The ER-Q mounting bracket. Adjust the air output direction.

ER-QCC2/ Connector-attached cable

Length 2 m 6.562 ft

ER-QCC5/ Connector-attached cable

Length 5 m 16.404 ft

- 0.13 mm² 8-core connector cable
- Cable outer diameter: ø3.7 mm ø0.146 in

ER-VAPS1/ AC adapter

- IN: 100 to 240 V AC, 50 / 60 Hz, 40 VA
- OUT: 24 V DC, 750 mA
- Ambient temperature: 0 to +40 °C +32 to +104 °F

ER-QFX5/ Air filter

Fan intake filter (5 pcs. per set)

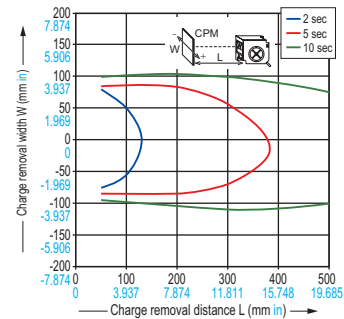
ER-QANT/ Discharge needle unit

Unit with tungsten needles (1 pc.)

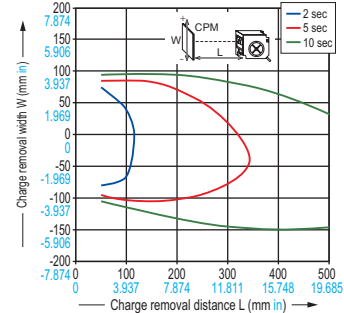
CHARGE REMOVAL CHARACTERISTICS (TYPICAL)

Measured using a 150 mm 5.906 in CPM (charge plate monitor) (At center of CPM)

Charge removal field (horizontal direction) (Fan speed MAX, filter is mounted)



Charge removal field (vertical direction) (Fan speed MAX, filter is mounted)



PRECAUTIONS FOR PROPER USE

- This product does not possess control functions for safety assurance such as accident prevention.
- This product has been developed / produced for industrial use.
- Do not use this product in places where there may be a danger of flammable or combustible items being present.

All information is subject to change without prior notice.



<http://www.sunx.com>

SUNX Limited

2431-1 Ushiyama-cho, Kasugai-shi, Aichi,
486-0901, Japan
Phone: +81-568-33-7211
FAX: +81-568-33-2631

Overseas Sales Division

Phone: +81-568-33-7861
FAX: +81-568-33-8591