



# High Power

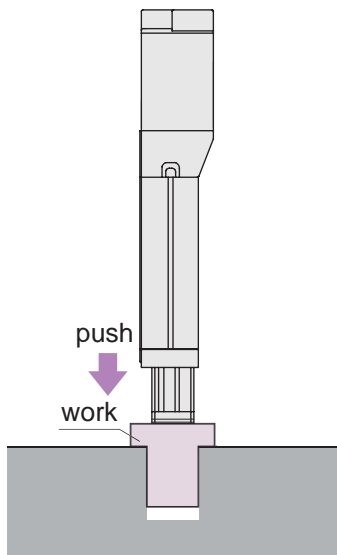


## ■ High Thrust Force

Optimal for applications where the work is pushed, for example in die sets.

**EZA6** (Lead 6 mm)

- Maximum Thrust Force: **400 N**
- Maximum Push Force: **500 N**  
(permanent pushing possible)



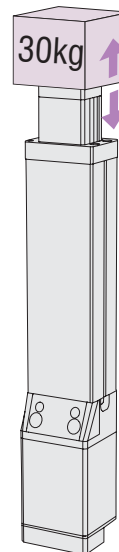
## ■ Large Transportable Mass

The work can be moved directly without external guide.

**EZA6** (Lead 6 mm)

- Maximum Transportable Mass: Horizontal **9 kg\***  
Vertical **30 kg**

\* The maximum horizontal transportable mass changes due to the moment.  
\* In horizontal operation the maximum horizontal transportable mass can be up to 60 kg by providing an external guide mechanism.



# High Speed

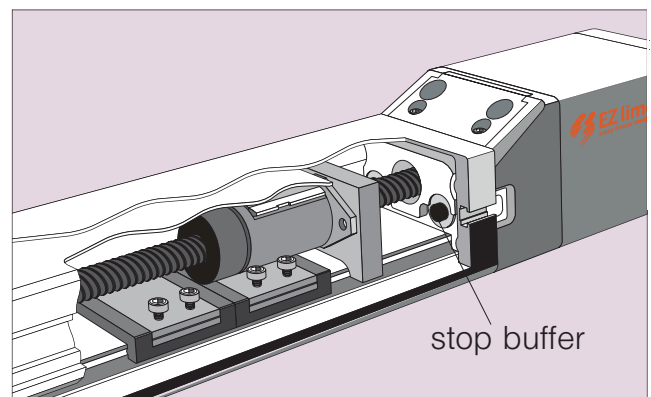
## ■ High Speed

High-speed positioning is possible.

**EZA4/EZA6** (Lead 12 mm)

- Maximum Speed: **600 mm/s**
- Sensorless Return to Home at Speed of **100 mm/s**

We have developed a dedicated stop buffer to achieve the sensorless return to home operation at a maximum speed of 100 mm/s.



# Space-Saving

## Space-Saving

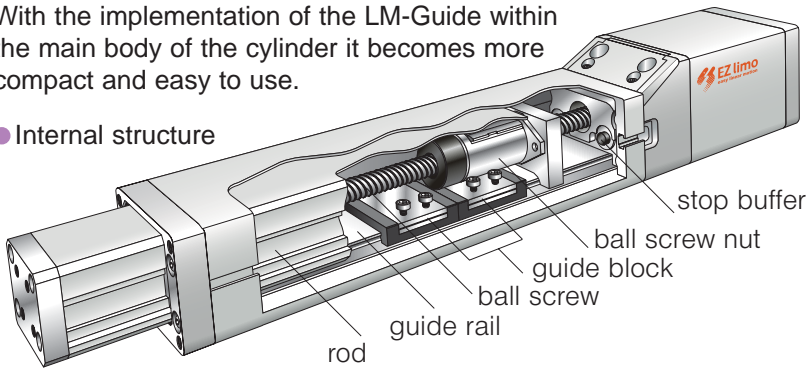
The shape of the motor cable outlet was changed to eliminate dead space. In relation to the stroke the total length is shorter, enabling a space-saving design of your equipment.

$$\text{Stroke} + 280.5 \text{ mm} = \text{Total Length}$$

## LM-Guide inside

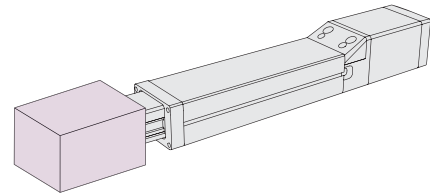
With the implementation of the LM-Guide within the main body of the cylinder it becomes more compact and easy to use.

### Internal structure



## Operation without External Guide

There is no need for an external guide mechanism, you can directly transport the mass or conduct a push operation.



Without external guide

For the ball screw and the LM-Guide the AFF-grease with low dust generation is used, often applied in clean rooms.

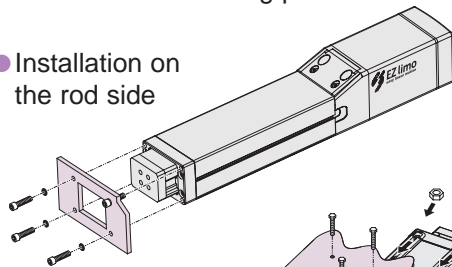
- "LM-Guide" is a registered trademark of THK Co., Ltd.

# Easy to Install

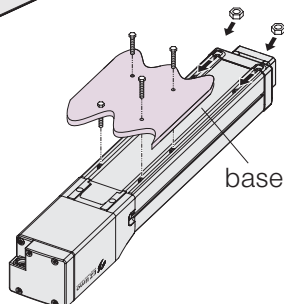
## Flexible Mounting

Installation is possible on the rod side and on the base side. Accessories like dual axes mounting plates are sold separately.

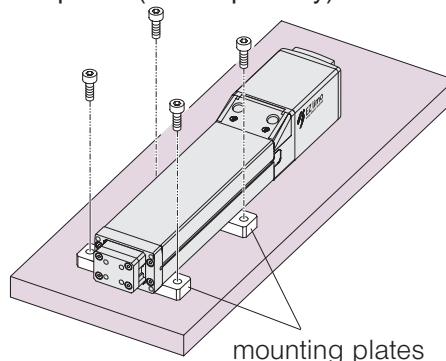
### Installation on the rod side



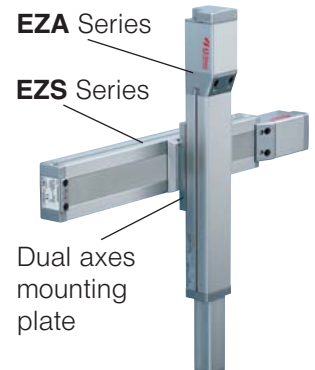
### Installation on the base side



### Installation with mounting plates (sold separately)

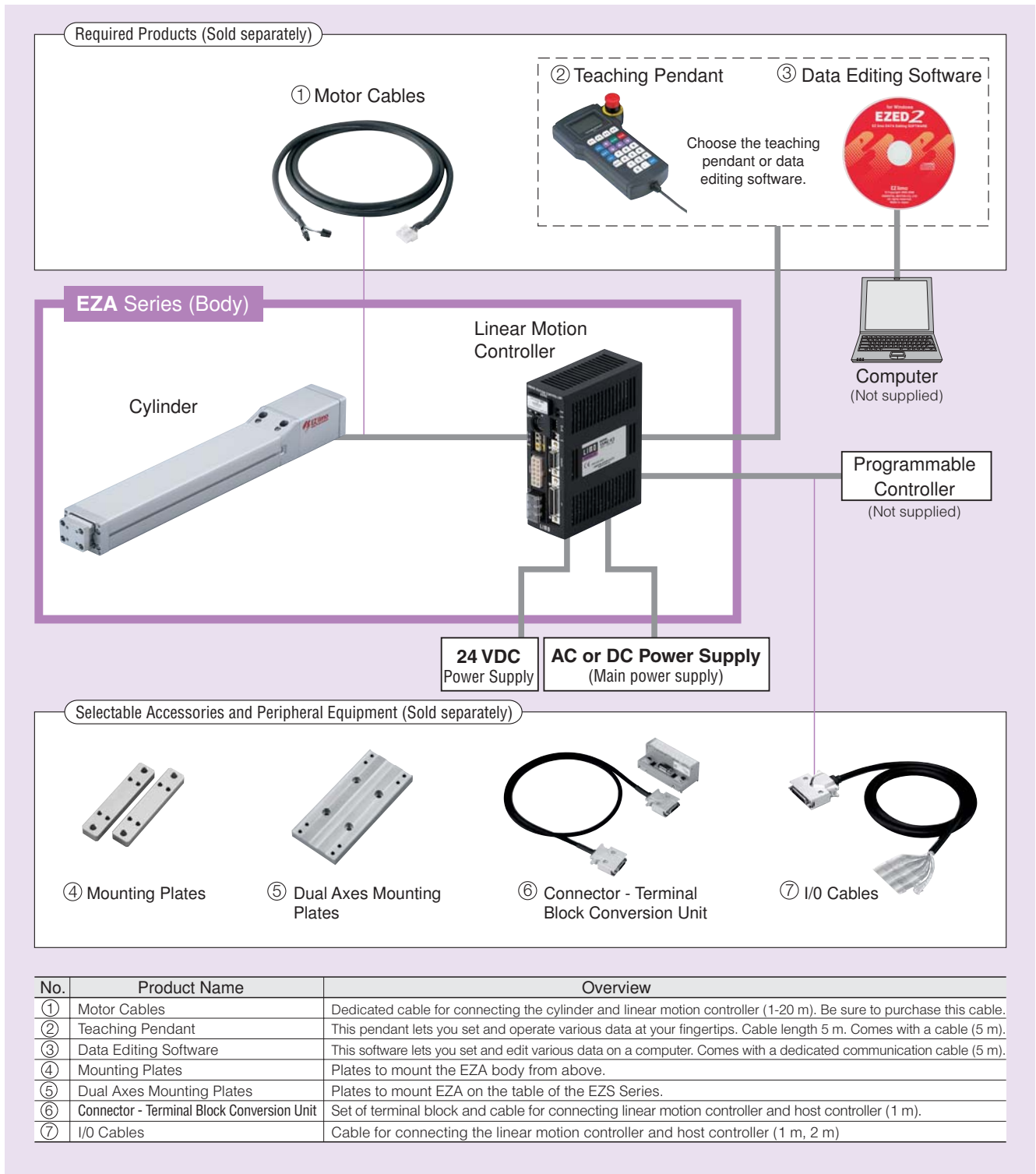


- Easy combination with motorized slide EZS Series to two axes (X-Y). By using the mounting plate (sold separately) the EZA Series can be easily mounted on the table of the motorized slide EZS Series.



## System Configuration

### Controller Mode



### Controller Mode

Body (Sold separately)			(Sold separately)	
EZA Series	Motor Cable (2 m)	Teaching Pendant	Mounting Plate	I/O Cable (1 m)
EZA4E005-C	CC020ES-2	EZT1	PTP-4A	CC36D1-1

+

● The system configuration shown above is an example. Other combinations are available.

## Features



Maximum Stroke **300** mm

Maximum Speed **600** mm/s

Maximum Transportable Mass Horizontal **9** kg Vertical **30** kg  
Horizontal (with an external guide) **60** kg

Maximum Thrust Force **400** N

Maximum Push Force **500** N

The above figures are representative values. For details, see the product information below.

## Product Number Code

**EZA 4 D 030 M - K**

①      ②      ③      ④      ⑤      ⑥

①	<b>EZA</b> Series
②	Cylinder Size <b>4</b> : Frame Size 54 mm x 38 mm <b>6</b> : Frame Size 74 mm x 52.5 mm
③	Lead <b>D</b> : 12 mm <b>E</b> : 6 mm
④	Stroke <b>005</b> : 50 mm <b>010</b> : 100 mm <b>015</b> : 150 mm <b>020</b> : 200 mm <b>025</b> : 250 mm <b>030</b> : 300 mm
⑤	Electromagnetic Brake Blank: Without Electromagnetic Brake <b>M</b> : With Electromagnetic Brake
⑥	Power Supply Voltage <b>K</b> : 24 VDC <b>C</b> : Single-Phase 200-230 VAC

## Product Line

### EZA4

Drive Method	Ball Screw	Repetitive Positioning Accuracy [mm]		Resolution [mm]			
		± 0.02		0.01			
Model	Lead [mm]	Transportable Mass [kg] with guide		Thrust [N]	Push Force [N]	Electromagnetic Brake Holding Force [N]	Maximum Speed [mm/s]
		Horizontal	Vertical				
<b>EZA4D</b> □-K	12	~15	—	~70	100	—	600
<b>EZA4D</b> □M-K			~6.5			70	
<b>EZA4E</b> □-K	6	~30	—	~140	200	—	300
<b>EZA4E</b> □M-K			~14			140	

Model	Lead [mm]	Transportable Mass [kg] with guide		Thrust [N]	Push Force [N]	Electromagnetic Brake Holding Force [N]	Maximum Speed [mm/s]
		Horizontal	Vertical				
<b>EZA4D</b> □-C	12	~15	—	~70	100	—	600
<b>EZA4D</b> □M-C			~6.5			70	
<b>EZA4E</b> □-C	6	~30	—	~140	200	—	300
<b>EZA4E</b> □M-C			~14			140	

### EZA6

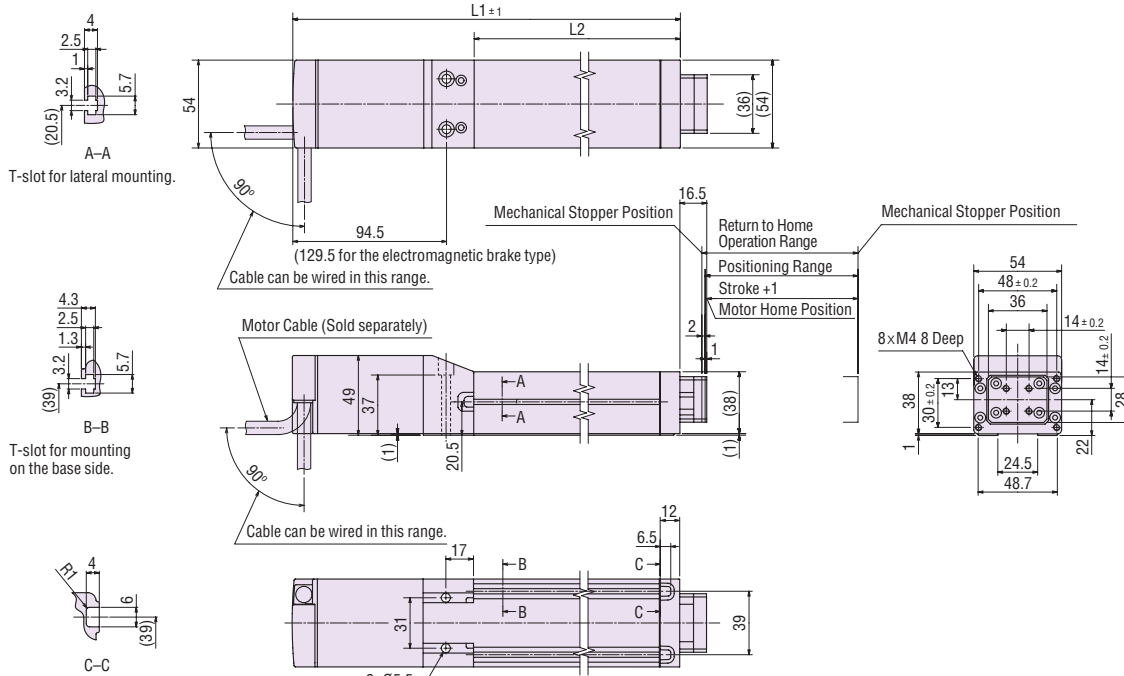
Drive Method	Ball Screw	Repetitive Positioning Accuracy [mm]		Resolution [mm]			
		± 0.02		0.01			
Model	Lead [mm]	Transportable Mass [kg] with guide		Thrust [N]	Push Force [N]	Electromagnetic Brake Holding Force [N]	Maximum Speed [mm/s]
		Horizontal	Vertical				
<b>EZA6D</b> □-K	12	~30	—	~200	400	—	600
<b>EZA6D</b> □M-K			~15			200	
<b>EZA6E</b> □-K	6	~60	—	~400	500	—	300
<b>EZA6E</b> □M-K			~30			400	

Model	Lead [mm]	Transportable Mass [kg] with guide		Thrust [N]	Push Force [N]	Electromagnetic Brake Holding Force [N]	Maximum Speed [mm/s]
		Horizontal	Vertical				
<b>EZA6D</b> □-C	12	~30	—	~200	400	—	600
<b>EZA6D</b> □M-C			~15			200	
<b>EZA6E</b> □-C	6	~60	—	~400	500	—	300
<b>EZA6E</b> □M-C			~30			400	

## ■ Dimensions (Unit = mm)

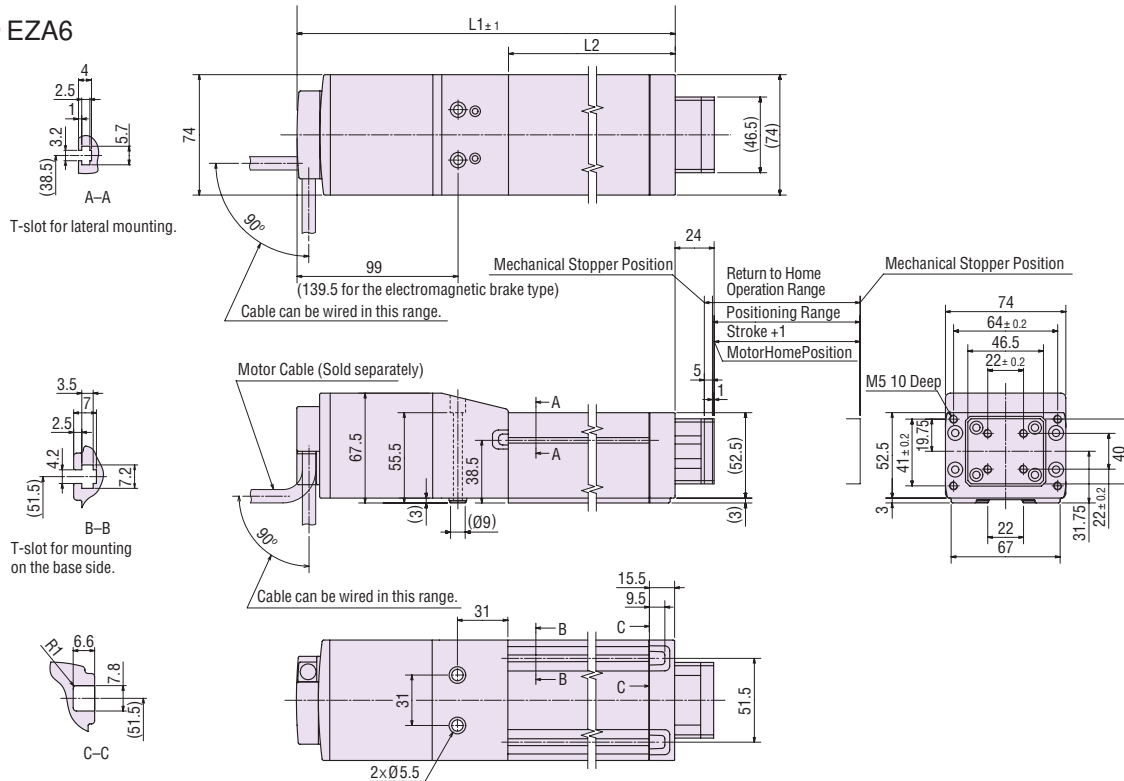
### ● EZA4



Cylinder Model EZAM4D□K, EZAM4E□K, EZAM4D□C, EZAM4E□C (Without electromagnetic brake)  
EZAM4D□MK, EZAM4E□MK, EZAM4D□MC, EZAM4E□MC (With electromagnetic brake)

	Electromagnetic Brake	Numbers Specifiable in the Box (□)					
		005	010	015	020	025	030
Stroke	Not Equipped / Equipped	50	100	150	200	250	300
	Not Equipped	292	342	392	442	492	542
L1	Equipped	327	377	427	477	527	577
	Not Equipped / Equipped	180.5	230.5	280.5	330.5	380.5	430.5
Mass (kg)	Not Equipped	1.7	1.8	1.9	2	2.1	2.2
	Equipped	1.9	2	2.1	2.2	2.3	2.4

### ● EZA6



Cylinder Model EZAM6D□K, EZAM6E□K, EZAM6D□C, EZAM6E□C (Without electromagnetic brake)  
EZAM6D□MK, EZAM6E□MK, EZAM6D□MC, EZAM6E□MC (With electromagnetic brake)

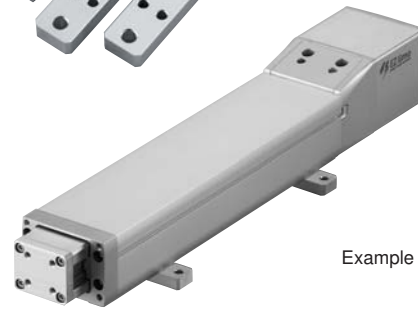
	Electromagnetic Brake	Numbers Specifiable in the Box (□)					
		005	010	015	020	025	030
Stroke	Not Equipped / Equipped	50	100	150	200	250	300
	Not Equipped	330.5	380.5	430.5	480.5	530.5	580.5
L1	Equipped	371	421	471	521	571	621
	Not Equipped / Equipped	200.5	250.5	300.5	350.5	400.5	450.5
Mass (kg)	Not Equipped	2.4	2.8	3.2	3.6	4	4.4
	Equipped	2.8	3.2	3.6	4	4.4	4.8

## ■ Mounting Plates (RoHS)

Plates to mount the EZA body from above. Screws to fix the plates at the EZA body are included (usage of T-slots). Please provide the screws to fix them to the device by yourself.

### ● Product Line

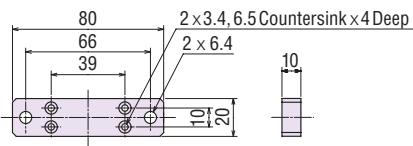
Model	Applicable Product	Mass (g)
<b>PTP-A4</b>	<b>EZA4</b>	80
<b>PTP-A6</b>	<b>EZA6</b>	100



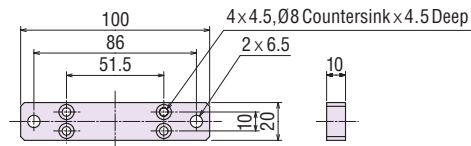
Example

### ● Dimensions (Unit = mm)

#### PTP-A4



#### PTP-A6



## ■ Dual Axes Mounting Plates (RoHS)

This product is for an easy mounting of the EZA Series on the table of the motorized slide EZS Series.

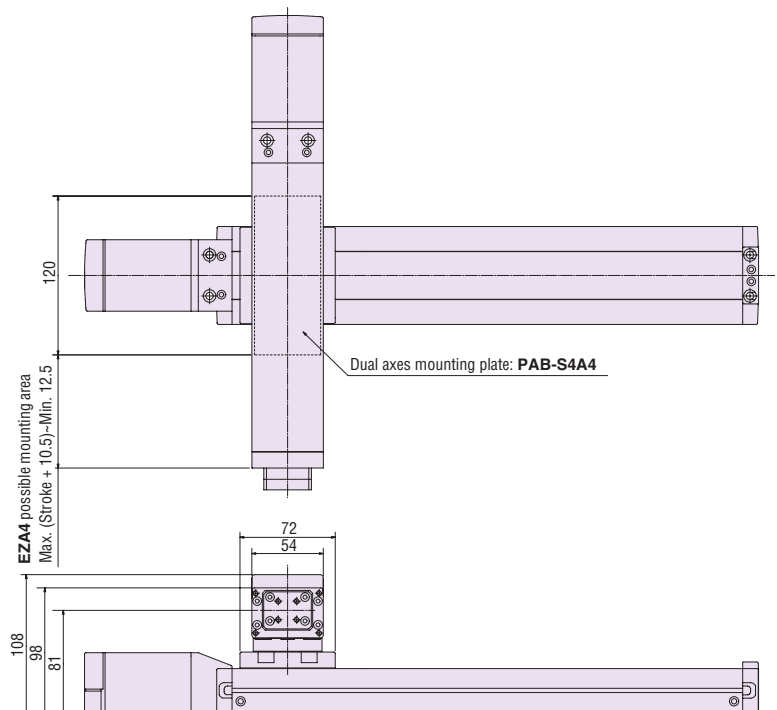
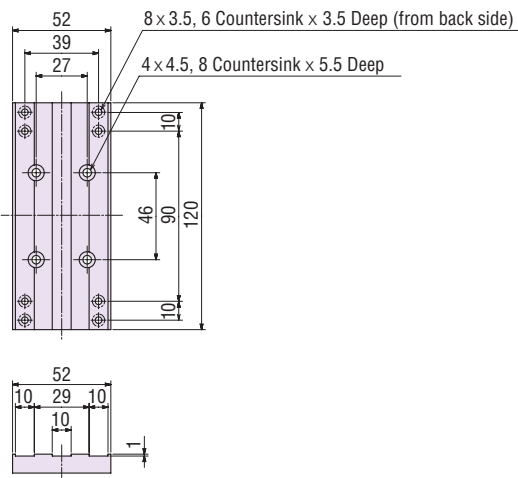
Model	Applicable Product	Mass (g)
<b>PAB-S4A4</b>	Combination of EZS4 and EZA4	150
<b>PAB-S6A4</b>	Combination of EZS6 and EZA4	170
<b>PAB-S6A6</b>	Combination of EZS6 and EZA6	205



Example

### ● Dimensions (Unit = mm)

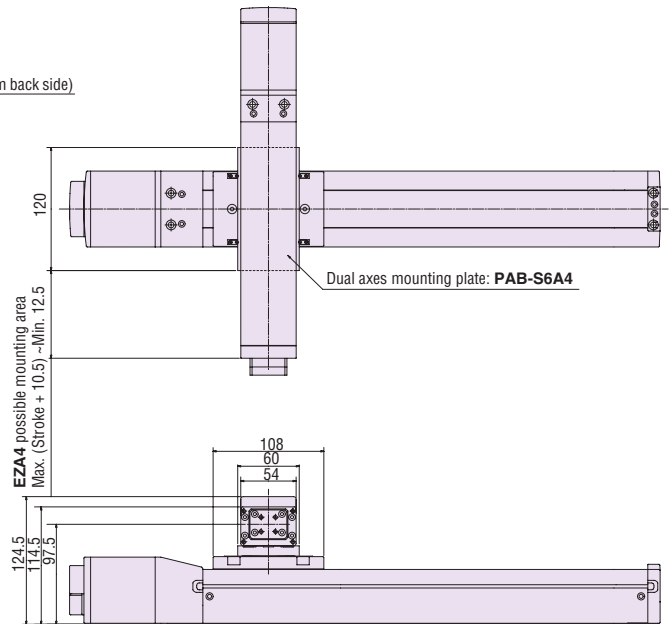
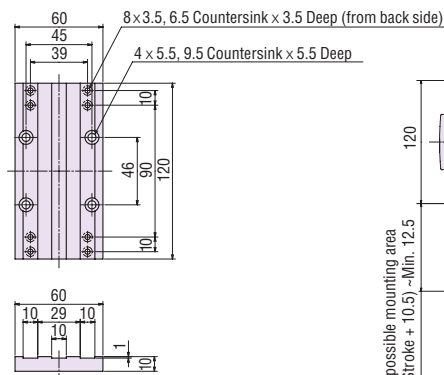
#### PAB-S4A4



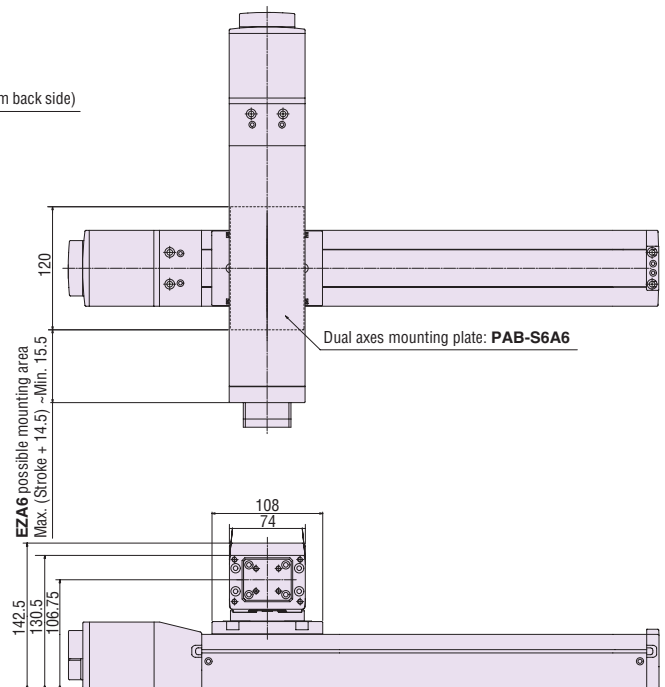
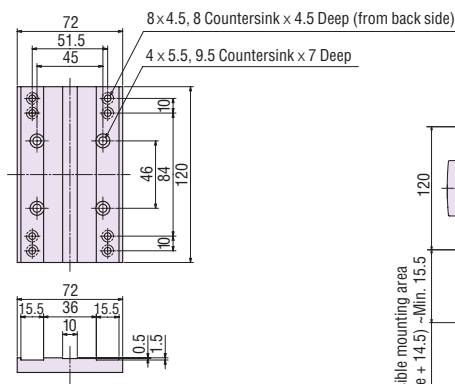


■ Dimensions (Unit = mm)

● PAB-S6A4



● PAB-S6A6



This product is manufactured at a plant certified with the international standards **ISO 9001** (for quality assurance) and **ISO 14001** (for systems of environmental management).

Specifications are subject to change without notice.

This catalogue was published in November, 2009.

# Orientalmotor

**ORIENTAL MOTOR (EUROPA) GmbH**

[www.orientalmotor.de](http://www.orientalmotor.de)

**European Headquarters and Düsseldorf Office**

Schiessstraße 74  
40549 Düsseldorf, Germany  
Tel: 0211-5206700 Fax: 0211-52067099

**ORIENTAL MOTOR (FRANCE) SARL**

[www.orientalmotor.fr](http://www.orientalmotor.fr)

**France Headquarters**

32, Avenue de l'île Saint Martin  
92737 Nanterre Cedex, France  
Tel: 01 47 86 97 50 Fax: 01 47 82 45 16

**ORIENTAL MOTOR (UK) LTD.**

[www.oriental-motor.co.uk](http://www.oriental-motor.co.uk)

Unit 5, Faraday Office Park,  
Rankine Road, Basingstoke,  
Hampshire RG24 8AH U.K.

Tel: 01256-347090 Fax: 01256-347099

**ORIENTAL MOTOR CO., LTD.**

[www.orientalmotor.co.jp](http://www.orientalmotor.co.jp)

**Headquarters**

16-17, Ueno 6-chome  
Taito-ku, Tokyo 110-8536, Japan  
Tel: (03)3835-0684 Fax: (03)3835-1890

**ORIENTAL MOTOR ITALIA s.r.l.**

[www.orientalmotor.it](http://www.orientalmotor.it)

**Italy Headquarters**

Via A. De Gasperi, 85  
20017 Mazzo di Rho (MI), Italy  
Tel: 02-93906346 Fax: 02-93906348

For more information please contact: