

New

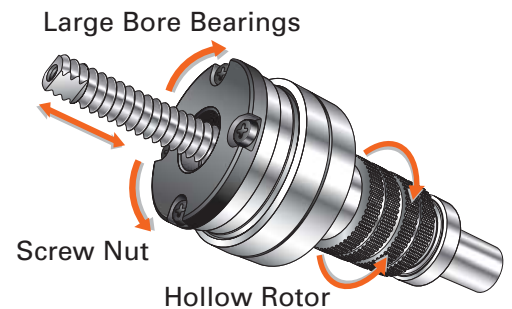
2-Phase Linear Actuators DRB-Series

A stepping motor with integrated ball screw.
An ideal actuator for pushing and pulling
small works or fine-tuning applications.



Features

The hollow rotor shaft incorporates large bore bearings for the direct handling of thrust loads. Minimizing the number of parts involved in linear conversion results in higher reliability.



Types



Standard






With Adjusting Knob



Long stroke type

Lineup

	DRB28	DRB42	DRB60
Frame Size (mm)	□ 28	□ 42	□ 60
Thrust Force	25 N	70 N	200 N
			

Product Number Code

DRB 42 UA 2 - 04 NA

① ② ③ ④ ⑤ ⑥ ⑦ ⑧

①	Series	DRB: DRB-Series
②	Frame Size	28: □28 mm 42: □42 mm 60: □60 mm
③	Motor Type	Unipolar
④	Drive Method	Rolled Ball Screw
⑤	Lead	1: 1 mm 2: 2 mm 4: 4 mm
⑥	Stroke	03: 30 mm 04: 40 mm 05: 50 mm 06: 60 mm 10: 100 mm
⑦	Additional Function	None: With No Additional Function N: With Adjusting Knob
⑧	Driver Type	A: CMD21□□P

Product lineup

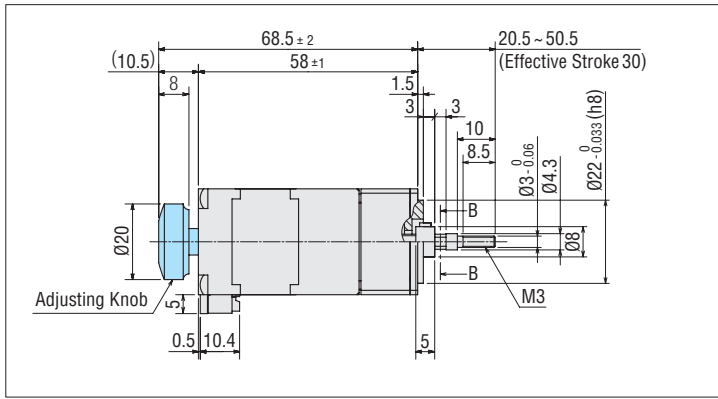
Frame Size (mm)	Additional Function	Model
□28	None	DRB28UA1-03A DRB28UA1-06A
	With Adjusting Knob	DRB28UA1-03NA
□42	None	DRB42UA2-04A DRB42UA2-10A
	With Adjusting Knob	DRB42UA2-04NA
□60	None	DRB60UA4-05A DRB60UA4-10A
	With Adjusting Knob	DRB60UA4-05NA

Specifications

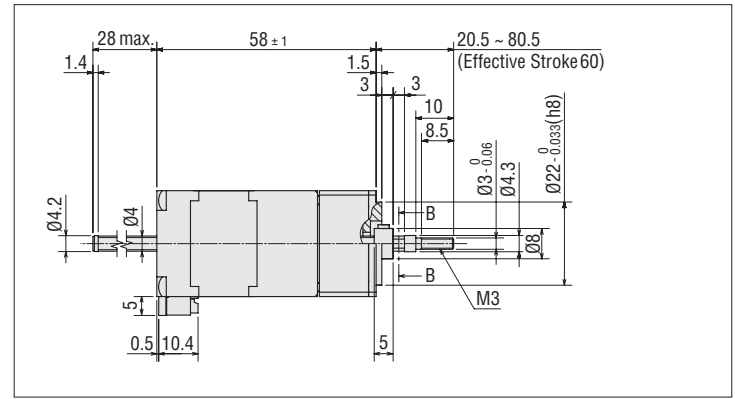
Model	DRB28UA1-03A DRB28UA1-06A DRB28UA1-03NA	DRB42UA2-04A DRB42UA2-10A DRB42UA2-04NA	DRB60UA4-05A DRB60UA4-10A DRB60UA4-05NA	
Drive Method	Rolled Ball Screw			
Max. Vertical Transportable Mass	kg	2.5	7	20
Maximum Speed	mm/s	24	30	32
Maximum Acceleration	m/s ²	0.2	0.4	0.26
Maximum Thrust Force	N	25	70	200
Maximum At Excitation	N	25	70	200
Holding Force At Non-Excitation	N	0		
Repetitive Positioning Accuracy	mm	± 0.03		
Lost Motion	mm	0.1		
Resolution	mm	0.005	0.01	0.02
Lead	mm	1	2	4
Stroke	mm	03: 30 06: 60	04: 40 10: 100	05: 50 10: 100
Mass (Mass with Adjusting Knob)	kg	03: 0.18 (0.19) 06: 0.18	04: 0.6 (0.6) 10: 0.63	05: 1.41 (1.46) 10: 1.49

■ Dimensions (Unit = mm)

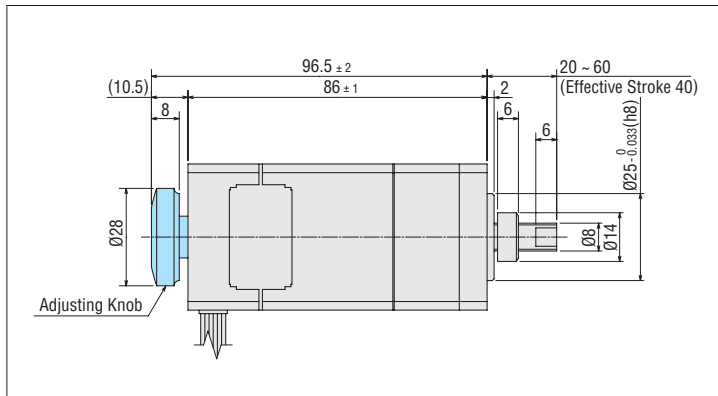
DRB28UA1-03N



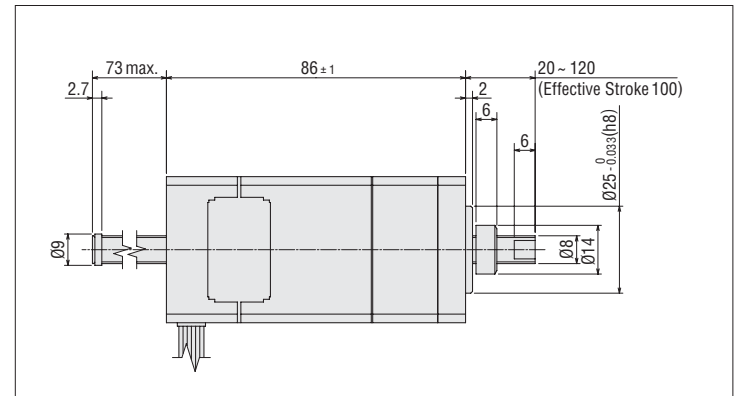
DRB28UA1-06



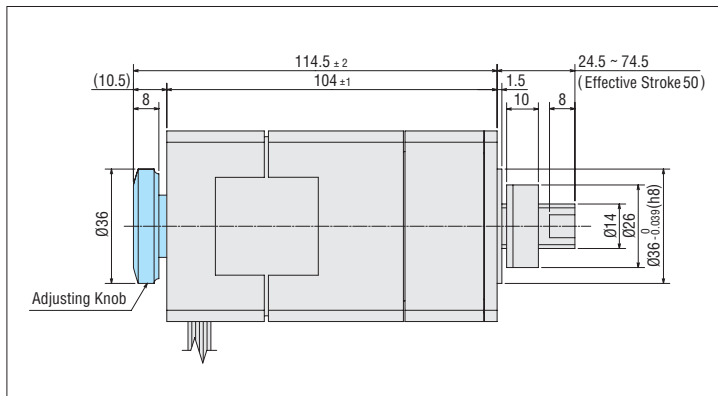
DRB42UA2-04N



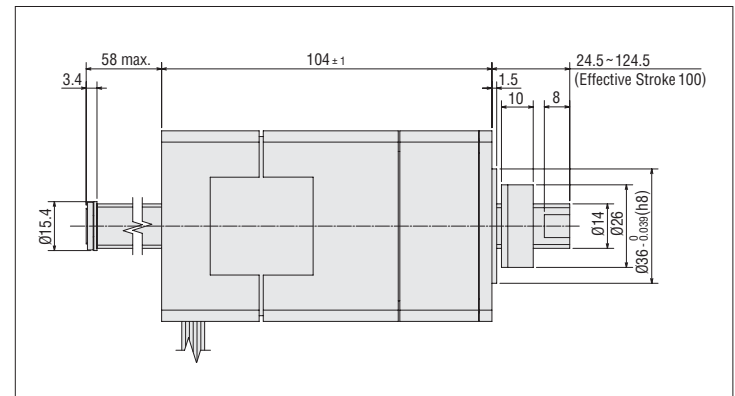
DRB42UA2-10



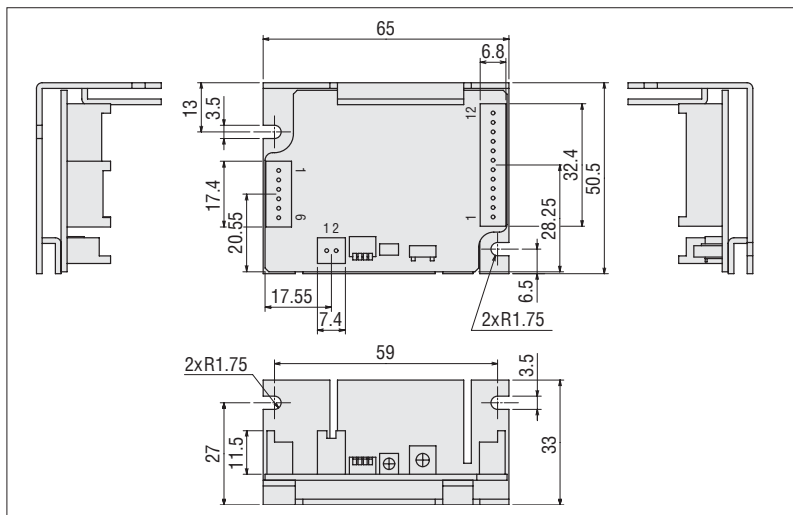
DRB60UA4-05N



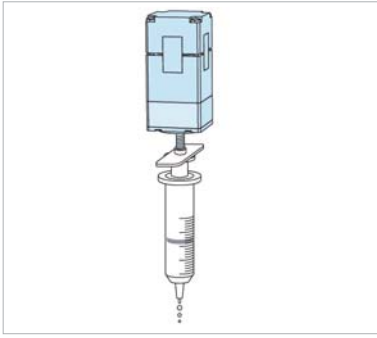
DRB60UA4-10



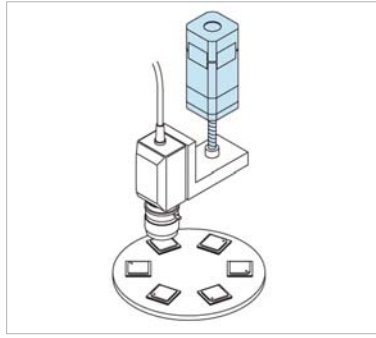
● Driver Model: CMD2109P, CMD2112P, CMD2120P



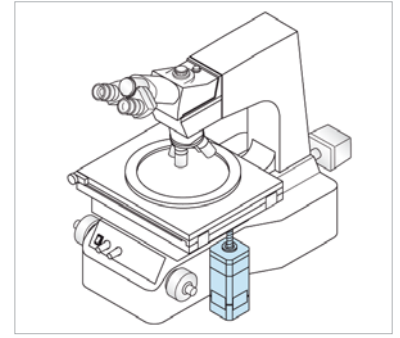
■ Applications



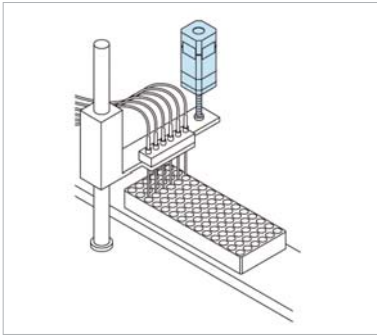
Syringe



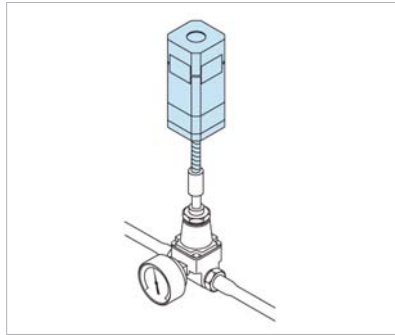
Focusing a CCD camera



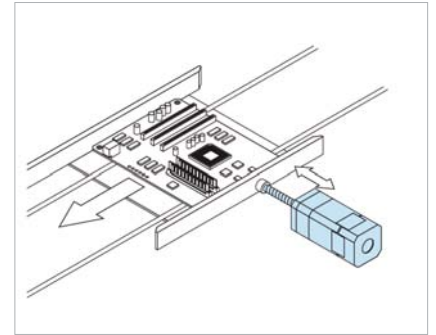
Vertical fine-tuning table position



Automatic micro-plate dispensing



Fine-tuning of flow-rate regulator valve setting



Centering of board

Orientalmotor

These products are manufactured at plants certified with the international standards **ISO 9001** (for quality assurance) and **ISO 14001** (for systems of environmental management).

Specifications are subject to change without notice.
Published in February 2010.

ORIENTAL MOTOR (EUROPA) GmbH

www.orientalmotor.de

European Headquarters and Düsseldorf Office
Schiesstraße 74
40549 Düsseldorf, Germany
Tel: 0211-5206700 Fax: 0211-52067099

ORIENTAL MOTOR (UK) LTD.

www.oriental-motor.co.uk

Unit 5, Faraday Office Park,
Rankine Road, Basingstoke,
Hampshire RG24 8AH, U.K.
Tel: 01256-347090 Fax: 01256-347099

ORIENTAL MOTOR (FRANCE) SARL

www.orientalmotor.fr

France Headquarters
32, Avenue de l'île Saint-Martin
92737 Nanterre Cedex, France
Tel: 01 47 86 97 50 Fax: 01 47 82 45 16

ORIENTAL MOTOR ITALIA s.r.l.

www.orientalmotor.it

Italy Headquarters
Via A. De Gasperi, 85
20017 Mazzo di Rho (MI), Italy
Tel: 02-93906346 Fax: 02-93906348

ORIENTAL MOTOR CO., LTD.

www.orientalmotor.co.jp

Headquarters
16-17, Ueno 6-chome
Taito-ku, Tokyo 110-8536, Japan
Tel: (03)3835-0684 Fax: (03)3835-1890

Customer Center (Support in German & English)

00800 - 22 55 66 22*
CA LL OM CC

Mon-Thu: 08:00 - 17:30 CET Friday: 08:00 - 16:00 CET

* Free Call Europe

tech@orientalmotor.de

For more information please contact: