

Short-Formed, High-Power, Space-Saving
Brushless DC Motor and Driver Package

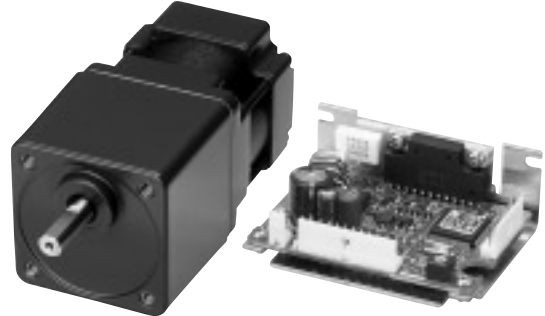


AXH Series

Output: 15 W

Refer to the AXH series catalogue for the Safety Standard, the Driver Specification, the General Specification, and Connection and Operation.

Newly introduced Output 15 W type motor with 42 mm of the motor frame size for Short-Formed, High-Power AXH series.



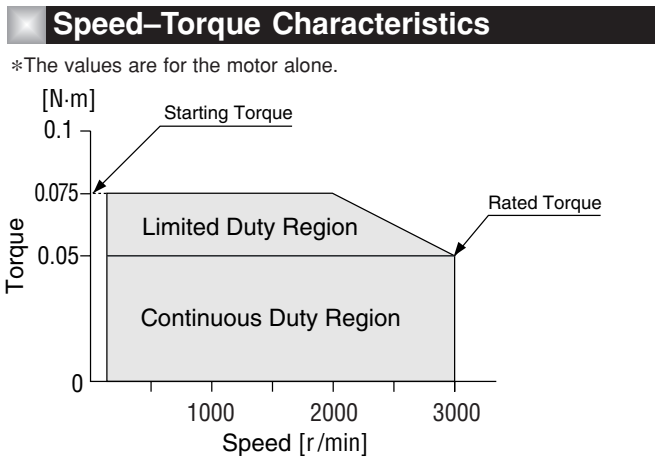
AXH015K-□ is geared type. The motor and the gearhead are not separated. **AXH230K-□** and **AXH450K-□** are combination type. You can purchase them separately for your maintenance. For more information please contact us.

Types	
Type	Model
Gearmotor Type	AXH015K-□
Round Shaft Type	AXH015K-A

●Enter the gear ratio in the box within the model number.
7 gear ratios, 5, 10, 15, 20, 30, 50 and 100 are available.

Specifications		
Item		Specifications
Rated Speed	[r/min]	3000
Maximum Speed	[r/min]	3000
Rated Output Power	[W]	15
Rated Torque	[N·m]	0.05
Starting Torque	[N·m]	0.075
Permissible Inertial Load* J	[$\times 10^{-4}$ kg·m ²]	0.5
Variable Speed Range	[r/min]	100 ~ 3000 (1:30)
Power Source		DC24V \pm 10% 2.0Amax.

*The values for permissible inertial load are for the round shaft types.



Permissible Torque and Permissible Inertial Load of the Gearhead								
Gear Ratio		5	10	15	20	30	50	100
Speed Range	[r/min]	20 ~ 600	10 ~ 300	6.7 ~ 200	5 ~ 150	3.3 ~ 100	2 ~ 60	1 ~ 30
Permissible Torque	[N·m]	0.23	0.45	0.68	0.86	1.3	2	2
Permissible Inertial Load J	[$\times 10^{-4}$ kg·m ²]	0.4	1.7	3.9	7.0	15.7	43.7	43.7

●Rotation direction : □ color rotates in the same direction as the motor; others rotate in the opposite direction.

Permissible Overhung Load and Permissible Thrust Load		
Type	Permissible Overhung Load 10 mm from shaft end [N]	Permissible Thrust Load [N]
Gearmotor Type	50	30
Round Shaft Type	50	Below the weight of the motor

Dimensions

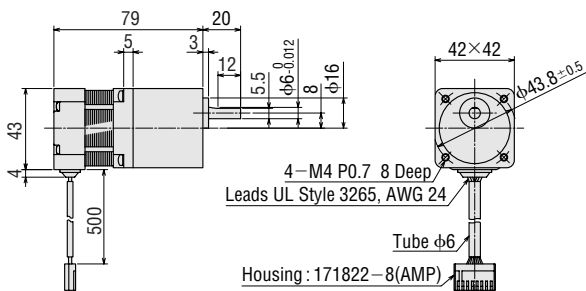
scale 1/4, unit = mm

AXH015K-□ (Gearmotor Type)

Motor : AXHM015K-□

Mass : 0.5 kg

Driver : AXHD15K

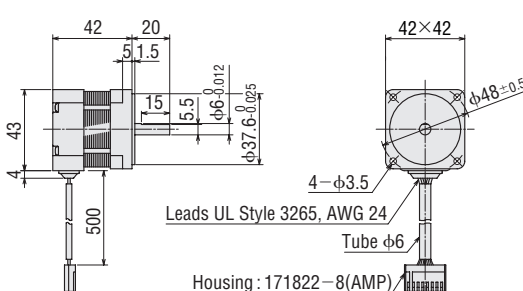


AXH015K-A (Round Shaft Type)

Motor : AXHM015K-A

Mass : 0.25 kg

Driver : AXHD15K



The dimensions of the driver, **AXHD15K** is same as those of **AXHD30K** and **AXHD50K** in the **AXH** series catalogue. Please refer to the **AXH** series catalogue.

Accessories (Sold separately)

Mounting Brackets

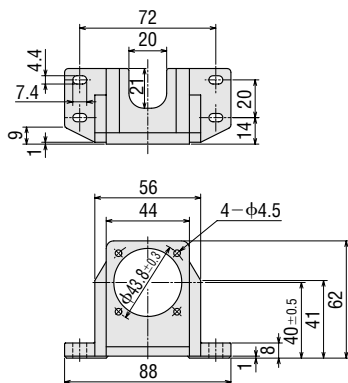
High-strength installation fittings are available for handling high-output motors and gearheads.



Model : **SOLOB**

Mass : 80 g

Material: Aluminum Alloy



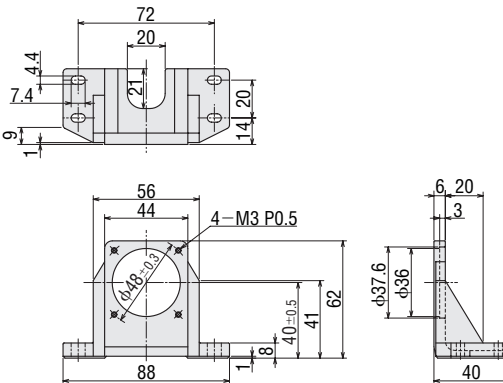
Applicable Type	Mounting Bracket
Gearmotor Type	SOLOB
Round Shaft Type	SOLOM3

●These mounting brackets come with tapped holes. To mount a motor and gearhead, simply fasten with the screws that come with the gearmotor.

Model : **SOLOM3**

Mass : 85 g

Material: Aluminum Alloy



*Please refer to **AXH series** catalogue for extension cable and external speed potentiometer.



Specifications subject to change without notice. This catalogue was published in March 2002.

ORIENTAL MOTOR (EUROPA) GmbH
ORIENTAL MOTOR (UK) LTD.
ORIENTAL MOTOR (FRANCE) SARL
ORIENTAL MOTOR ITALIA s.r.l.

TEL: 0211-5206700 FAX: 0211-52067099
 TEL: 01252-519809 FAX: 01252-547086
 TEL: 01 47 86 97 50 FAX: 01 47 82 45 16
 TEL: 02-3390541 FAX: 02-33910033

Printed in Japan 2002Q 3K 2767K