

Teachable inspection area and RGB value processing

The vision colour sensor FQ2-CLR provides real colour identification functionality in combination with the flexibility and functionality of a vision sensor. The teachable inspection area provides an easy and flexible set up. The colour processing and evaluation can be carried out by the FQ2-CLR directly or the RGB values are available via Ethernet to other devices.

- Teachable inspection area
- Models with single colour detection or up to 32 colour and image processing tasks
- RGB values via Ethernet



Ordering Information


Type	Output	Tolerance adjustment	Connection method	Order code PNP ^{*1}
Single colour	Digital colour detected out and/or RGB value out (via ethernet)	– Object teaching (good sample) with manual tolerance adjustment – 2-point teaching (good and bad sample)	3 m PVC cable or 3 m Ethernet cable ^{*2}	FQ2-CLR-V1P 3M ^{*3}
1 to 32 colour and image processing tasks				FQ2-CLR-V32P 3M

*1. NPN models are available. Contact your Omron representative.

*2. Models with 2 m PVC cable or M12 pigtail connector are available. Contact your Omron representative.

*3. Programming device 'Touch Finder FQ2-D31' is not included. Order separately incl. AC power supply and battery or use PC Tool to program FQ2-CLR.

Programming device

Type		Order code
	Touch Finder (included in FQ2-CLR-V32P) ^{*1}	FQ2-D31
	AC power supply (plug type c) for FQ2-D31	FQ-AC4
	Rechargeable battery for FQ2-D31	FQ-BAT1

*1. The FQ2-CLR can be programmed either with the Touch Finder or via a PC using the FQ2 PC Tool. After programming the FQ2-CLR, the programming device can be disconnected. Only one programming device is required for programming multiple FQ2-CLR. Contact your OMRON representative for FQ2-CLR-V32P version without included Touch Finder.

Content list

All products can be ordered separately under the following order codes:

FQ2-CLR-V1P 3M Package content (part list)

1x FQ2-S15050F	Single function vision sensor
1x FQ-WN003-E	Ethernet cable 3m
1x FQ-WD003-E	I/O cable 3m
1x AFBN0049	FQ2-CLR Quick Start Guide

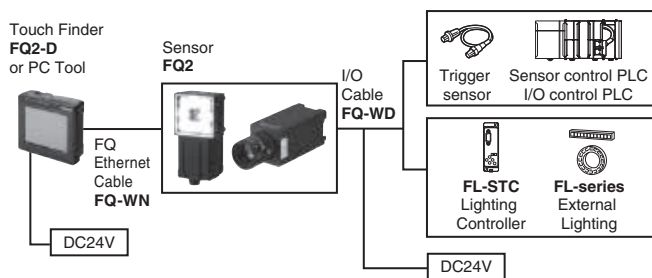
FQ2-CLR-V32P 3M Package content (part list)

1x FQ2-S25050F	Multi function vision sensor
1x FQ-WN003-E	Ethernet cable 3m
1x FQ-WD003-E	I/O cable 3m
1x FQ2-D31	Touch Finder - programming device
1x FQ-AC4	AC power supply (plug type C) for FQ2-D31
1x FQ-BAT1	Battery for FQ2-D31
1x AFBN0049	FQ2-CLR Quick Start Guide

For a list of all available components see next page.

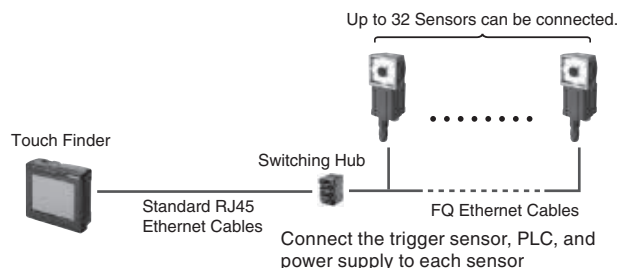
System Configuration

Standard Configuration



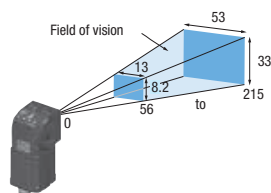
Note: If you register as a member after purchasing a Sensor, you can download free setup software that runs on a PC and can be used in place of the Touch Finder. Refer to the member registration sheet for details.

Multiple Connection



Ordering information for separate components

Sensor



Type	Standard	
	Single-function models	Standard models
NPN	FQ2-S10050F	FQ2-S20050F
PNP	FQ2-S15050F	FQ2-S25050F

Note: Tolerance (field of vision): $\pm 10\%$ max.

Touch Finder

Type	Order code
DC power supply	FQ2-D30
AC/DC/battery	FQ2-D31 ^{*1}

*1. AC Adapter and Battery are sold separately.

Cables (Robot cable)

Type	Cable length	Order code
FQ Ethernet Cables (connect Sensor to Touch Finder, Sensor to PC)	2 m	FQ-WN002-E
	5 m	FQ-WN005-E
	10 m	FQ-WN010-E
I/O Cables	2 m	FQ-WD002-E
	5 m	FQ-WD005-E
	10 m	FQ-WD010-E

Industrial Switching Hubs (Recommended)

Appearance	Number of ports	Failure detection	Current consumption	Order code
	3	None	0.08 A	W4S1-03B
	5	None	0.12 A	W4S1-05B
		Supported		W4S1-05C

Accessories

Application	Appearance	Name	Order code
For Sensor		Mounting Bracket (enclosed with Sensor)	FQ-XL
		Polarizing Filter Attachment (enclosed with Sensor)	FQ-XF1
For Touch Finder		Panel Mounting Adapter	FQ-XPM
		AC Adapter (for models for DC/AC/ Battery)	FQ-AC□ ^{*1}
		Battery (for models for DC/AC/ Battery)	FQ-BAT1
		Touch Pen (enclosed with Touch Finder)	FQ-XT
		Strap	FQ-XH

*1. AC Adapters for Touch Finder with DC/AC/Battery Power Supply. Select the model for the country in which the Touch Finder will be used.

Plug type	Voltage	Certified standards	Order code
A	125 V max.	PSE	FQ-AC1
		UL/CSA	FQ-AC2
	250 V max.	CCC mark.	FQ-AC3
C	250 V max.	---	FQ-AC4
BF	250 V max.	---	FQ-AC5
O	250 V max.	---	FQ-AC6

Ratings and Performance

Sensor

Item		Single-function type	Standard type
Model	NPN	FQ2-S10□□□□	FQ2-S20□□□□
	PNP	FQ2-S15□□□□	FQ2-S25□□□□
Field of view		13 × 8.2 to 53 × 33 mm	
Installation distance		56 to 215 mm	
Main functions	Inspection items	Search, shape search II, sensitive search, area, color data, edge position, edge pitch, edge width, and labeling	
	Number of simultaneous measurements	1	32
	Position compensation	Supported (360° Model position compensation, Edge position compensation)	
	Number of registered scenes	8	32
	Calibration	Supported	
Image input	Image processing method	Real color	
	Image filter	High dynamic range (HDR), image adjustment(Color Gray Filter, Weak smoothing, Strong smoothing, Dilate, Erosion, Median, Extract edges, Extract horizontal edges, Extract vertical edges, Enhance edges, Background suppression), polarizing filter (attachment), and white balance (Sensors with Color Cameras only)	
	Image elements	1/3-inch color CMOS	
	Shutter	Built-in lighting ON: 1/250 to 1/50,000 Built-in lighting OFF: 1/1 to 1/50,000	
	Processing resolution	752 × 480	
	Partial input function	Supported horizontally only.	
Lighting	Lighting method	Pulse	
	Lighting color	White	
Data logging	Measurement data	In Sensor: 1,000 items (If a Touch Finder is used, results can be saved up to the capacity of an SD card.)	
	Images	In Sensor: 20 images (If a Touch Finder is used, images can be saved up to the capacity of an SD card.)	
Auxiliary function		Math (arithmetic, calculation functions, trigonometric functions, and logic functions)	
Measurement trigger		External trigger (single or continuous) Communications trigger (Ethernet TCP no-protocol, Ethernet FINS/TCP no-protocol, EtherNet/IP, or PLC Link)	
I/O specifications	Input signals	7 signals Single measurement input (TRIG) Control command input (IN0 to IN5)	
	Output signals	3 signals Control output (BUSY) Overall judgement output (OR) Error output (ERROR) The assignments of the three output signals (OUT0 to OUT2) can be changed to the individual judgements of the inspection items, the image input ready output (READY), or the external lighting timing output (STGOUT).	
	Ethernet specifications	100Base-TX/10Base-T	
	Communications	Ethernet TCP no-protocol, Ethernet FINS/TCP no-protocol, EtherNet/IP, or PLC Link	
Ratings	Power supply voltage	21.6 to 26.4 VDC (including ripple)	
	Current consumption	2.4 A max.	

Item		Single-function type	Standard type
Model	NPN	FQ2-S10□□□□	FQ2-S20□□□□
	PNP	FQ2-S15□□□□	FQ2-S25□□□□
Environmental immunity	Ambient temperature range	Operating: 0 to 50°C Storage: -25 to 65°C (with no icing or condensation)	
	Ambient humidity range	Operating and storage: 35% to 85% (with no condensation)	
	Ambient atmosphere	No corrosive gas	
	Vibration resistance (destruction)	10 to 150 Hz, single amplitude: 0.35 mm, X/Y/Z directions 8 min each, 10 times	
	Shock resistance (destruction)	150 m/s ² 3 times each in 6 direction (up, down, right, left, forward, and backward)	
	Degree of protection	IEC 60529 IP67 (Except when Polarizing Filter Attachment is mounted or connector cap is removed.)	
Materials	Sensor: PBT, PC, SUS Mounting Bracket: PBT Polarizing Filter Attachment: PBT, PC Ethernet connector: Oil-resistance vinyl compound I/O connector: Lead-free heat-resistant PVC		
Weight	Narrow View/Standard View:Approx. 160 g Wide View:Approx. 150 g		
Accessories included with sensor	Mounting Bracket (FQ-XL)(1) Polarizing Filter Attachment (FQ-XF1) (1) Instruction Manual , Quick Startup Guide Member Registration Sheet , Warning Label		
LED class	Class 2(Applicable standards: IEC 60825-1:1993 +A1:1997 +A2:2001, EN 60825-1:1994 +A1:2002 +A2:2001, and JIS C 6802:2005)		
Applicable standards	EN standard EN 61326 and EC Directive No.2004/104/EC		

Touch Finder

Item	Type Model	Model with DC power supply	Model with AC/DC/battery power supply
		FQ2-D30	FQ2-D31
Number of connectable Sensor		Number of sensors that can be recognized (switched): 32 max. number or sensor that can displayed on monitor: 8 max.	
Main functions	Types of measurement displays	Last result display, Last NG display, trend monitor, histograms	
	Types of display images	Through, frozen, zoom-in, and zoom-out images	
	Data logging	Measurement results, measured images	
	Menu language	English, German, French, Italian, Spanish, Traditional Chinese, Simplified Chinese, Korean, Japanese	
Indications	LCD	Display device	3.5-inch TFT color LCD
		Pixels	320 × 240
		Display colors	16.7 million
	Back-light	Life expectancy ^{*1}	50,000 hours at 25°C
		Brightness adjustment	Provided
Screen saver	Provided		
Operation interface	Touch screen	Method	Resistance film
		Life expectancy ^{*2}	1,000,000 touch operations
External interface	Ethernet	100BASE-TX/10BASE-T	
	SD card	SDHC-compliant, Class 4 or higher recommended	

Item	Type	Model with DC power supply	Model with AC/DC/battery power supply
	Model	FQ2-D30	FQ2-D31
Ratings	Power supply voltage	DC power connection: 21.6 to 26.4 VDC (including ripple)	DC power connection: 21.6 to 26.4 VDC (including ripple) AC adapter (manufactured by Sino-American Japan Co., Ltd) connection: 100 to 240 VAC, 50/60 Hz Battery connection: FQ-BAT1 Battery (1cell, 3.7 V)
	Continuous operation on Battery*3	---	1.5 h
	Power consumption	DC power connection: 0.2 A max.	DC power connection: 0.2 A max. Charging battery: 0.4 A max.
Environmental immunity	Ambient temperature range	Operating: 0 to 50°C Storage: -25 to 65°C (with no icing or condensation)	Operating: 0 to 50°C when mounted to DIN Track or panel Operation on Battery: 0 to 40°C Storage: -25 to 65°C (with no icing or condensation)
	Ambient humidity range	Operating and storage: 35% to 85% (with no condensation)	
	Ambient atmosphere	No corrosive gas	
	Vibration resistance (destruction)	10 to 150 Hz, single amplitude: 0.35 mm, X/Y/Z directions 8 min each, 10 times	
	Shock resistance (destruction)	150 m/s ² 3 times each in 6 direction (up, down, right, left, forward, and backward)	
Degree of protection	IEC 60529 IP20 (when SD card cover, connector cap, or harness is attached)		
Weight	Approx. 270 g (without Battery and hand strap attached)		
Materials	Case: ABS		
Accessories included with Touch Finder	Touch Pen (FQ-XT), Instruction Manual		

*1. This is a guideline for the time required for the brightness to diminish to half the initial brightness at room temperature and humidity. The life of the backlight is greatly affected by the ambient temperature and humidity and will be shorter at lower or higher temperatures.

*2. This value is only a guideline. No guarantee is implied. The value will be affected by operating conditions.

*3. This value is only a guideline. No guarantee is implied. The value will be affected by the operating environment and operating conditions.

Battery Specifications

Item	FQ-BAT1
Battery type	Secondary lithium ion battery
Nominal capacity	1,800 mAh
Rated voltage	3.7 V
Ambient temperature range	Operating: 0 to 40°C Storage: -25 to 65°C (with no icing or condensation)
Ambient humidity range	Operating and storage: 35% to 85% (with no condensation)
Charging method	Charged in Touch Finder (FQ2-D31). AC adapter (FQ-AC□) is required.
Charging time*1	2 h
Usage time*1	1.5 h
Battery backup life*2	300 charging cycles
Weight	50 g max.

*1. This value is only a guideline. No guarantee is implied. The value will be affected by operating conditions

*2. This is a guideline for the time required for the capacity of the Battery to be reduced to 60% of the initial capacity. No guarantee is implied. The value will be affected by the operating environment and operating conditions.

System Requirements for PC tool for FQ2

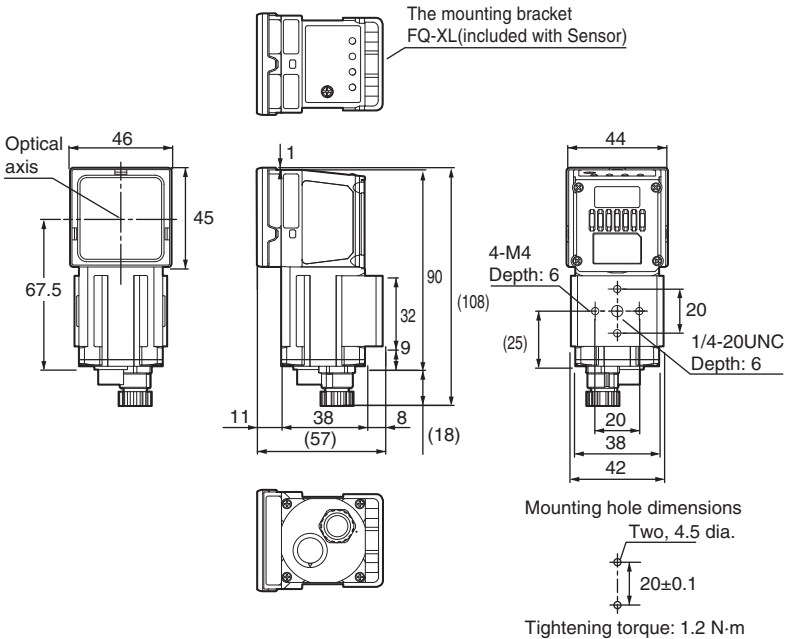
The following Personal Computer system is required to use the software.

OS	Microsoft Windows XP Home Edition/Professional SP2 or higher (32-bit version) Microsoft Windows 7 Home Premium or higher (32-bit/64-bit version)
CPU	Core 2 Duo 1.06 GHz or the equivalent or higher
RAM	1GB min.
HDD	500 MB min. available space*1
Monitor	1,024 x 768 dots min.

*1. Available space is also required separately for data logging.

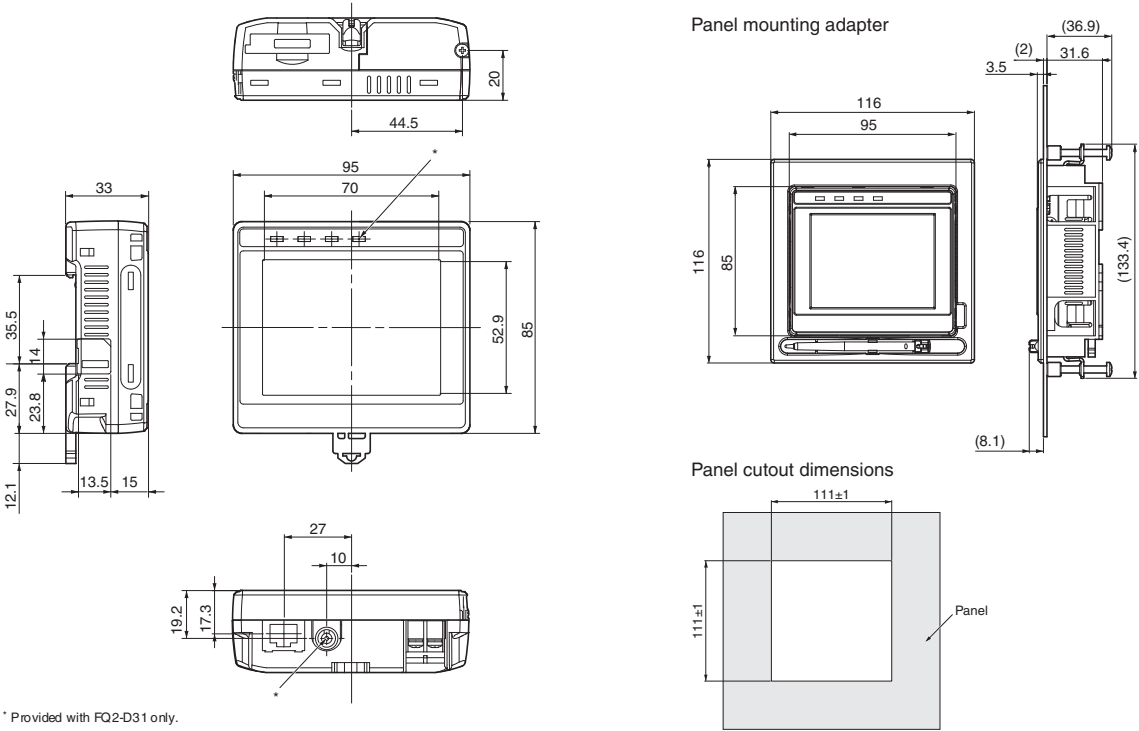
Dimensions

Amplifier Units
Sensor



Touch Finder

FQ2-D30/D31



Read and Understand This Catalog

Please read and understand this catalog before purchasing the products. Please consult your OMRON representative if you have any questions or comments.

Warranty and Limitations of Liability

WARRANTY

OMRON's exclusive warranty is that the products are free from defects in materials and workmanship for a period of one year (or other period if specified) from date of sale by OMRON.

OMRON MAKES NO WARRANTY OR REPRESENTATION, EXPRESS OR IMPLIED, REGARDING NON-INFRINGEMENT, MERCHANTABILITY, OR FITNESS FOR PARTICULAR PURPOSE OF THE PRODUCTS. ANY BUYER OR USER ACKNOWLEDGES THAT THE BUYER OR USER ALONE HAS DETERMINED THAT THE PRODUCTS WILL SUITABLY MEET THE REQUIREMENTS OF THEIR INTENDED USE. OMRON DISCLAIMS ALL OTHER WARRANTIES, EXPRESS OR IMPLIED.

LIMITATIONS OF LIABILITY

OMRON SHALL NOT BE RESPONSIBLE FOR SPECIAL, INDIRECT, OR CONSEQUENTIAL DAMAGES, LOSS OF PROFITS OR COMMERCIAL LOSS IN ANY WAY CONNECTED WITH THE PRODUCTS, WHETHER SUCH CLAIM IS BASED ON CONTRACT, WARRANTY, NEGLIGENCE, OR STRICT LIABILITY.

In no event shall the responsibility of OMRON for any act exceed the individual price of the product on which liability is asserted.

IN NO EVENT SHALL OMRON BE RESPONSIBLE FOR WARRANTY, REPAIR, OR OTHER CLAIMS REGARDING THE PRODUCTS UNLESS OMRON'S ANALYSIS CONFIRMS THAT THE PRODUCTS WERE PROPERLY HANDLED, STORED, INSTALLED, AND MAINTAINED AND NOT SUBJECT TO CONTAMINATION, ABUSE, MISUSE, OR INAPPROPRIATE MODIFICATION OR REPAIR.

Application Considerations

SUITABILITY FOR USE

OMRON shall not be responsible for conformity with any standards, codes, or regulations that apply to the combination of products in the customer's application or use of the products.

At the customer's request, OMRON will provide applicable third party certification documents identifying ratings and limitations of use that apply to the products. This information by itself is not sufficient for a complete determination of the suitability of the products in combination with the end product, machine, system, or other application or use.

The following are some examples of applications for which particular attention must be given. This is not intended to be an exhaustive list of all possible uses of the products, nor is it intended to imply that the uses listed may be suitable for the products:

- Outdoor use, uses involving potential chemical contamination or electrical interference, or conditions or uses not described in this catalog.
- Nuclear energy control systems, combustion systems, railroad systems, aviation systems, medical equipment, amusement machines, vehicles, safety equipment, and installations subject to separate industry or government regulations.
- Systems, machines, and equipment that could present a risk to life or property.

Please know and observe all prohibitions of use applicable to the products.

NEVER USE THE PRODUCTS FOR AN APPLICATION INVOLVING SERIOUS RISK TO LIFE OR PROPERTY WITHOUT ENSURING THAT THE SYSTEM AS A WHOLE HAS BEEN DESIGNED TO ADDRESS THE RISKS, AND THAT THE OMRON PRODUCTS ARE PROPERLY RATED AND INSTALLED FOR THE INTENDED USE WITHIN THE OVERALL EQUIPMENT OR SYSTEM.

PROGRAMMABLE PRODUCTS

OMRON shall not be responsible for the user's programming of a programmable product, or any consequence thereof.

Disclaimers

CHANGE IN SPECIFICATIONS

Product specifications and accessories may be changed at any time based on improvements and other reasons.

It is our practice to change model numbers when published ratings or features are changed, or when significant construction changes are made. However, some specifications of the products may be changed without any notice. When in doubt, special model numbers may be assigned to fix or establish key specifications for your application on your request. Please consult with your OMRON representative at any time to confirm actual specifications of purchased products.

DIMENSIONS AND WEIGHTS

Dimensions and weights are nominal and are not to be used for manufacturing purposes, even when tolerances are shown.

PERFORMANCE DATA

Performance data given in this catalog is provided as a guide for the user in determining suitability and does not constitute a warranty. It may represent the result of OMRON's test conditions, and the users must correlate it to actual application requirements. Actual performance is subject to the OMRON Warranty and Limitations of Liability.

ERRORS AND OMISSIONS

The information in this document has been carefully checked and is believed to be accurate; however, no responsibility is assumed for clerical, typographical, or proofreading errors, or omissions.

Cat. No. E76E-EN-02

In the interest of product improvement, specifications are subject to change without notice.

OMRON EUROPE B.V.

Wegalaan 67-69,
NL-2132 JD, Hoofddorp,
The Netherlands

Phone: +31 23 568 13 00
Fax: +31 23 568 13 88

AUDIN - 8, avenue de la Halle - 91370 Saint Brice Courcelles - Tel : 03.26.04.20.21 - Fax : 03.26.04.28.20 - Web : <http://www.audin.fr> - Email : info@audin.fr

www.industrial.omron.eu