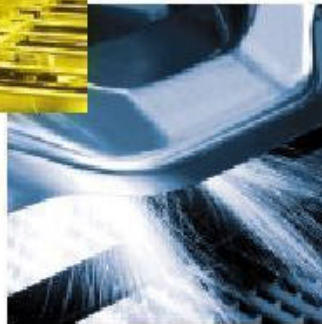


Round Connectors/Elbow Adaptors and Connectors to DIN 43651



AUDIN - 8, avenue de la malle - 51370 Saint Brice Courcelles
Tel : 03.26.04.20.21 - Fax : 03.26.04.28.20 - Web : <http://www.audin.fr> - Email : info@audin.fr

More than safety.

EUCHNER GmbH + Co.
P.O. Box 10 01 52
D- 70745 LeinfeldenEchterdingen
Germany

Phone +49/711/75 97-0
Fax +49/711/75 33 16
www.euchner.de
info@euchner.de



EUCHNER

EUCHNER – Your Partner for Industrial Electrical Equipment and Electronics

Since its foundation in 1940, EUCHNER has been designing and developing switchgear for controlling diverse motion sequences in the field of machine construction and terotechnology. An innovative development in 1952 was the world's first multiple position switch.

The EUCHNER product range includes everything from electromechanical and electronic equipment through to systems and services.

Reliability, precision and quality are tested continually and maintained at a high level by computer-controlled development, test and inspection systems for hardware and software.

EUCHNER products are sold by competent partners all over the world. Close and optimum contact with our customers is ensured by a large network of sales agencies, EUCHNER sales offices and our in-house product specialists.

We therefore can solve specific problems on-site at any time. An overview of our Technical Sales Offices is given on the last page.



Leinfelden/Stuttgart

Administration/Sales/Development/Production



Bad Überkingen

Production of electromechanical precision switches

Quality made by EUCHNER



Reg.-No. 4438-01

EUCHNER

EUCHNER GmbH + Co. KG

Kohlhammerstraße 16
D-70771 Leinfelden-Echterdingen

Telephone: 07 11 / 75 97-0
Telefax: 07 11 / 75 33 16

www.euchner.de
info@euchner.de

Round design, metal-encapsulated

The connectors of this series possess a robust, dull chrome-plated brass housing. With its elastically mounted and gold-plated contacts, the connector

system is also suitable for low currents and voltages. A wide range of different pole configurations offer a wide variety of applications from simple power

supply leads to multi-core control leads. The proven solder connection technique permits wire preparation without complicated tools.

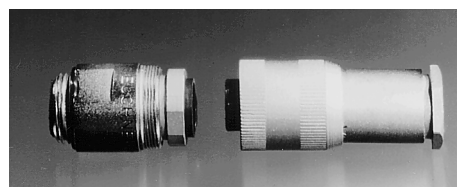
Two type series with three different combination possibilities

- socket + plug (SD + BS)
- plug + socket (SS + BD)
- coupling socket + plug (KD + BS)

with

- 4 to 19 poles
- conduit thread PG 9 to PG 21

are available.



Assembly instruction see page 13.
Preparation for EMC see page 14.

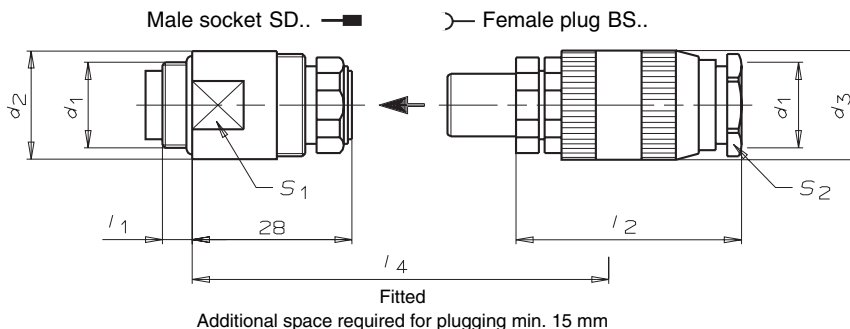


According to DIN VDE 0627, connectors are devices that must not be connected or disconnected under power. Connectors without PE contact must not be operated with voltages larger than 50 V.

Technical Data

Parameter	Value		Unit
	with PE	without PE	
Version			
Housing material	CuZn, dull chrome-plated		
Environmental protection acc. to IEC 529 / EN60529 in connected and secured state	IP 67		
Ambient temperature	- 20 to + 80		°C
Contact material	CuZn, nickel-plated, 1 µm hard gold-plated		
Type of connection	Solder connection		
Max. connection cross-section	1		mm ²
Volume resistance	5		m
Rated impuls withstand voltage U_{imp}	4		kV
Rated voltage	250	50	V
Rated current	6		A
Derating curve			

Round design, metal-encapsulated
Type series SD + BS
Number of poles: 4 / 7 / 8 / 12 / 19

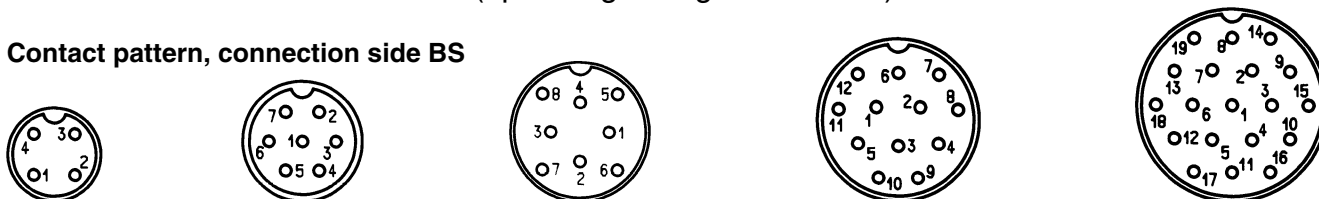


Dimensions

Number of poles	d ₁	d ₂	d ₃	l ₁	l ₂	l ₄	s ₁	s ₂	cable
4	PG 9	19	19.5	5	44	72	a/f 17	a/f 16	6-8
7	PG 11	23	23.5	5	46	74	a/f 21	a/f 19	8-10
8	PG 13.5	25	25.5	5	52	80	a/f 22	a/f 22	10-12
12	PG 16	29	29.5	5	54	82	a/f 27	a/f 24	12-14
19	PG 21	36	38.5	7	68	96	a/f 32	a/f 32	14-18

Version without PE conductor (operating voltage max. 50 V)

Contact pattern, connection side BS



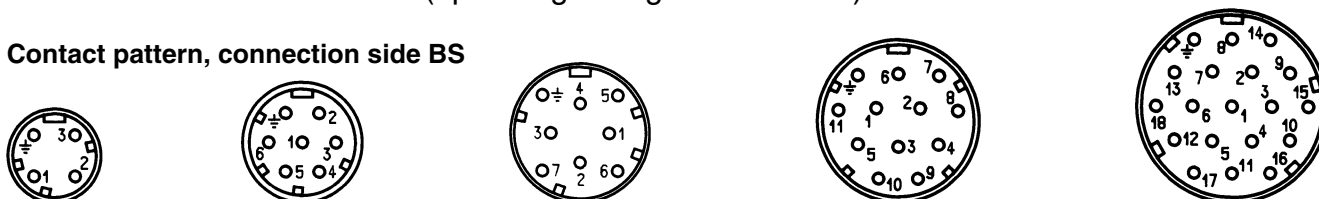
Ordering / Type Table

Male socket			
Number of poles	Type	Order No.	Mass [kg]
4	SD 4K	002 771	0.03
7	SD 7K	002 774	0.04
8	SD 8K	002 777	0.05
12	SD 12K	026 995	0.08
19	SD 19K	002 783	0.1

Female plug			
Number of poles	Type	Order No.	Mass [kg]
4	BS 4K	002 772	0.04
7	BS 7K	002 775	0.07
8	BS 8K	002 778	0.08
12	BS 12K	002 781	0.1
19	BS 19K	002 784	0.2

Version with PE conductor (operating voltage max. 250 V)

Contact pattern, connection side BS

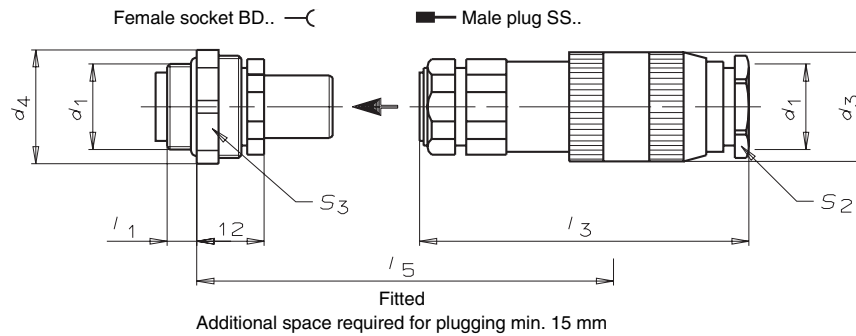


Ordering / Type Table

Male socket			
Number of poles	Type	Order No.	Mass [kg]
4	SD 4	002 756	0.03
7	SD 7	002 759	0.04
8	SD 8	002 765	0.05
12	SD 12	002 762	0.08
19	SD 19	002 768	0.1

Female plug			
Number of poles	Type	Order No.	Mass [kg]
4	BS 4	002 757	0.04
7	BS 7	002 760	0.07
8	BS 8	002 766	0.08
12	BS 12	002 763	0.1
19	BS 19	002 769	0.2

Round design, metal-encapsulated
Type series BD + SS
Number of poles: 4 / 7 / 8 / 12 / 19

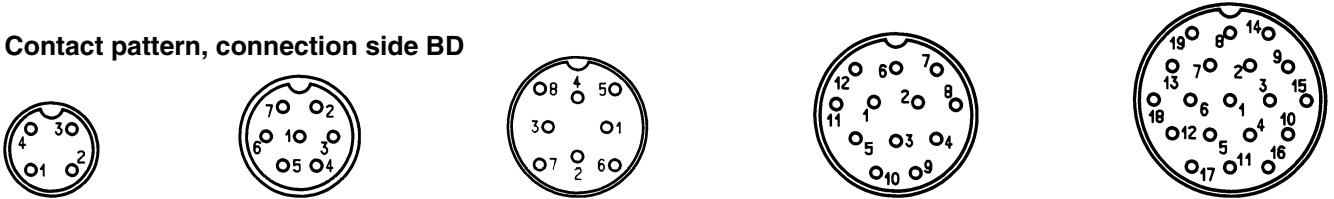


Dimensions

Number of poles	d ₁	d ₃	d ₄	l ₁	l ₃	l ₅	s ₂	s ₃	cable
4	PG 9	19.5	20	5	62	74	a/f 16	a/f 19	6-8
7	PG 11	23.5	24	5	64	76	a/f 19	a/f 22	8-10
8	PG 13.5	25.5	26.5	5	64	76	a/f 22	a/f 24	10-12
12	PG 16	29.5	33	5	72	84	a/f 24	a/f 30	12-14
19	PG 21	38.5	40	7	84	96	a/f 32	a/f 36	14-18

Version without PE conductor (operating voltage max. 50 V)

Contact pattern, connection side BD



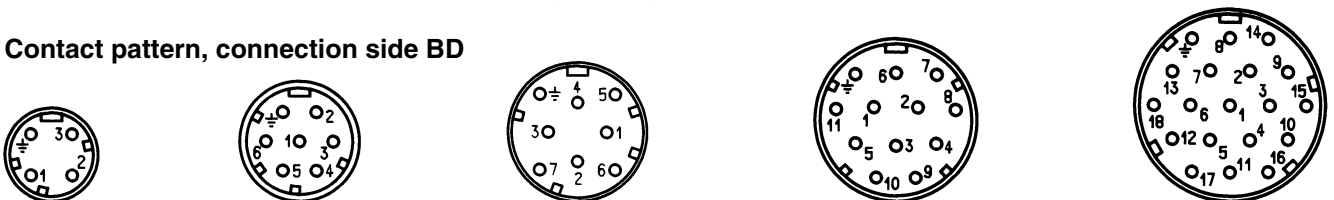
Ordering / Type Table

Female socket			
Number of poles	Type	Order No.	Mass [kg]
4	BD 4K	002 801	0.02
7	BD 7K	002 804	0.03
8	BD 8K	002 807	0.03
12	BD 12K	002 810	0.04
19	BD 19K	002 813	0.08

Male plug			
Number of poles	Type	Order No.	Mass [kg]
4	SS 4K	002 802	0.04
7	SS 7K	002 805	0.07
8	SS 8K	002 808	0.08
12	SS 12K	002 811	0.1
19	SS 19K	002 814	0.2

Version with PE conductor (operating voltage max. 250 V)

Contact pattern, connection side BD



Ordering / Type Table

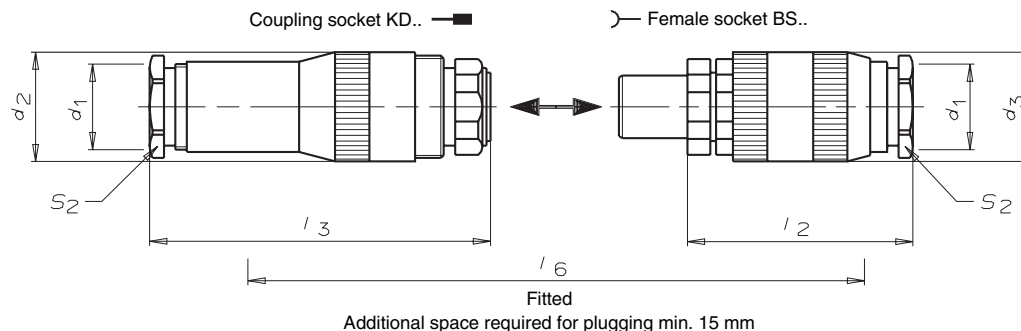
Female socket			
Number of poles	Type	Order No.	Mass [kg]
4	BD 4	002 786	0.02
7	BD 7	002 789	0.03
8	BD 8	002 792	0.03
12	BD 12	002 795	0.04
19	BD 19	002 798	0.08

Male plug			
Number of poles	Type	Order No.	Mass [kg]
4	SS 4	002 787	0.04
7	SS 7	002 790	0.07
8	SS 8	002 793	0.08
12	SS 12	002 796	0.1
19	SS 19	002 799	0.2

Round design, coupling, metal-encapsulated

Type series KD + BS

Number of poles: 4 / 7 / 8 / 12 / 19

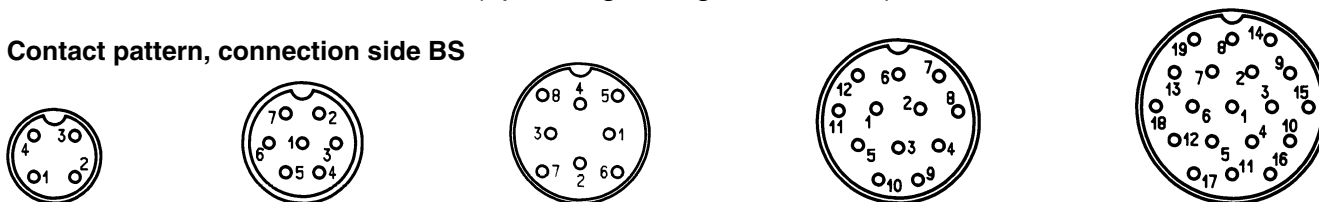


Dimensions

Number of poles	d ₁	d ₂	d ₃	l ₂	l ₃	l ₆	s ₂	cable
4	PG 9	19	19.5	44	62	106	a/f 16	6-8
7	PG 11	23	23.5	46	64	110	a/f 19	8-10
8	PG 13.5	25	25.5	52	64	116	a/f 22	10-12
12	PG 16	29	29.5	54	72	126	a/f 24	12-14
19	PG 21	36	38.5	68	84	152	a/f 32	14-18

Version without PE conductor (operating voltage max. 50 V)

Contact pattern, connection side BS



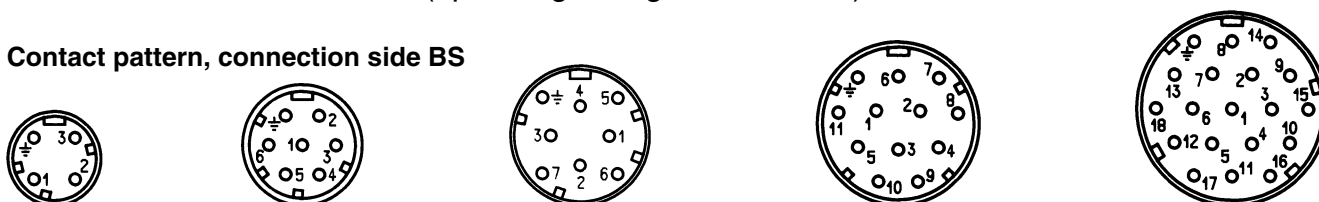
Ordering / Type Table

Coupling socket			
Number of poles	Type	Order No.	Mass [kg]
4	KD 4K	002 826	0.04
7	KD 7K	002 828	0.07
8	KD 8K	002 830	0.08
12	KD 12K	002 832	0.1
19	KD 19K	002 834	0.2

Female socket			
Number of poles	Type	Order No.	Mass [kg]
4	BS 4K	002 772	0.04
7	BS 7K	002 775	0.07
8	BS 8K	002 778	0.08
12	BS 12K	002 781	0.1
19	BS 19K	002 784	0.2

Version with PE conductor (operating voltage max. 250 V)

Contact pattern, connection side BS



Ordering / Type Table

Coupling socket			
Number of poles	Type	Order No.	Mass [kg]
4	KD 4	002 816	0.04
7	KD 7	002 818	0.07
8	KD 8	002 820	0.08
12	KD 12	002 822	0.1
19	KD 19	002 824	0.2

Female socket			
Number of poles	Type	Order No.	Mass [kg]
4	BS 4	002 757	0.04
7	BS 7	002 760	0.07
8	BS 8	002 766	0.08
12	BS 12	002 763	0.1
19	BS 19	002 769	0.2

Design in accordance with DIN 43651, plastic-encapsulated
Type series SR6, SR11
Number of poles: 6 + PE, 11+PE

The connectors of this series feature a robust, high-strength glass fiber-reinforced PET-housing.

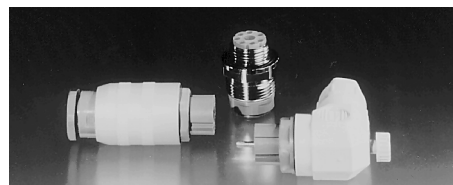
The crimped contacts used permit fast and trouble-free connection with utmost operational reliability.

The connectors can be coded in the case of type series SR6. Only male and female plugs that belong together can be connected.

Two different combination possibilities

- socket + straight plug
- socket + angled plug

are available.



According to DIN VDE 0627, connectors are devices that must not be connected or disconnected under power.

Technical Data

Parameter	Value		Unit
Type series	SR6	SR11	
Number of poles	6+PE	11+PE	
Housing material	PET, non-inflammable as per UL standard 94-VO		
Environmental protection acc. to IEC 529 / EN 60529 in connected and secured state	IP 65		
Ambient temperature	- 40 to + 90		°C
Contact material	CuZn, silver-plated		
Type of connection	Crimped connection		
Max. connection cross-section	0.5 to 1.5	0.5 ¹⁾	mm ²
Wire outer diameter	7 to 9	8 to 10 ¹⁾	mm
Volume resistance	5		m
Rated impuls withstand voltage U_{imp}	4	1.5	kV
Rated voltage	250	50	V
Rated current	10	5	A
Derating curve			

¹⁾ All contacts used in female plug. Max. cable outer diameter 10 mm.

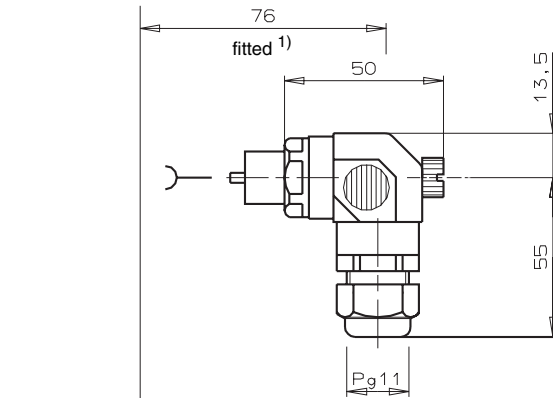
Design in accordance with DIN 43651, plastic-encapsulated

Type series SR6

Number of poles: 6 + PE

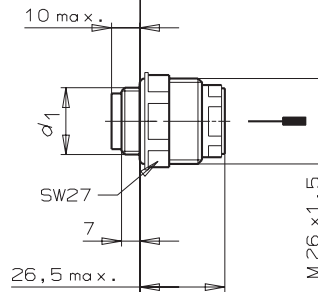
Angled connector type SR6WF

Order No. 024 999



Male socket type SR6AM

for male crimp contacts SRM



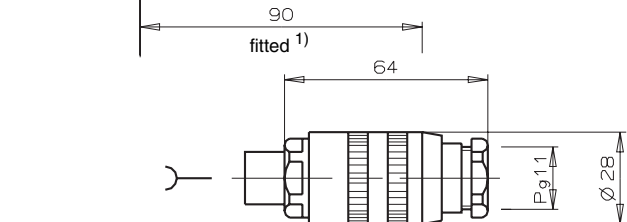
Ordering / Type Table

Contact carrier	Type	d ₁	Order No.
Convertible ²⁾	SR6AM1	PG 13.5	013 172
Fixed	SR6AM2	PG 13.5	013 173
Fixed	SR6AM3	PG 11	013 174
Fixed	SR6AM4	PG 16	013 175

²⁾ The contact carrier can rotate to 7 different outlet directions, metal-encapsulated.

Straight connector type SR6EF

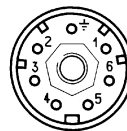
Order No. 013 176



¹⁾ Min. 15 mm additional space required for plugging

Plug pattern as per DIN 43651

Contact pattern, female plug connection side



Accessories

Coding shells type SR6K

Order No. 013 178

Female crimp contacts type SRF

for connectors SR6WF and SR6EF

Wire cross section 0.5 to 1.5 mm²

Order No. 071 260

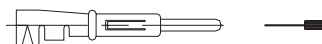


Male crimp contacts type SRM

for pin socket SR6AM

Wire cross section 0.5 to 1.5 mm²

Order No. 071 261



Design in accordance with DIN 43651, plastic-encapsulated

Type series SR11

Number of poles: 11 + PE

Angled connector type SR11WF

Order No. 054 773

Male socket type SR11AM

for male crimp contacts SRM

Order No. 073 561

Male socket type SR11AM1

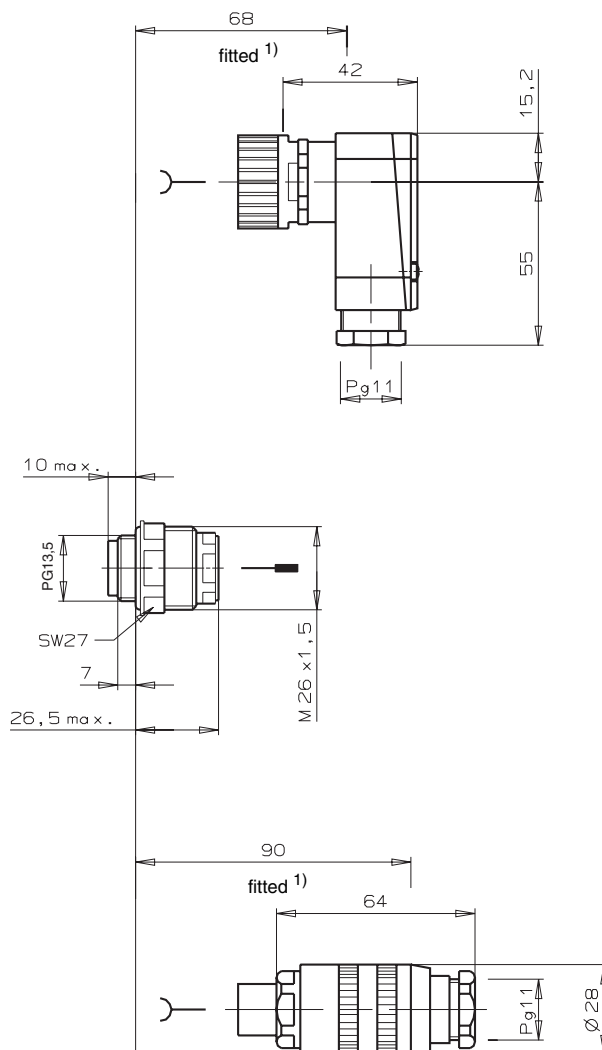
metal-encapsulated

for male crimp contacts SRM

Order No. 083 236

Straight connector type SR11EF

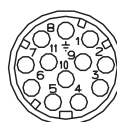
Order No. 070 859



¹⁾ Min. 15 mm additional space required for plugging

Plug pattern as per DIN 43651

Contact pattern, female plug connection side



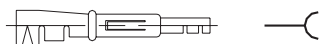
Accessories

Female crimp contacts type SRF

for connectors SR11WF and SR11EF

Wire cross section 0.5 to 1.5 mm²

Order No. 071 260

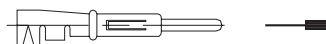


Male crimp contacts type SRM

for pin socket SR11AM

Wire cross section 0.5 to 1.5 mm²

Order No. 071 261

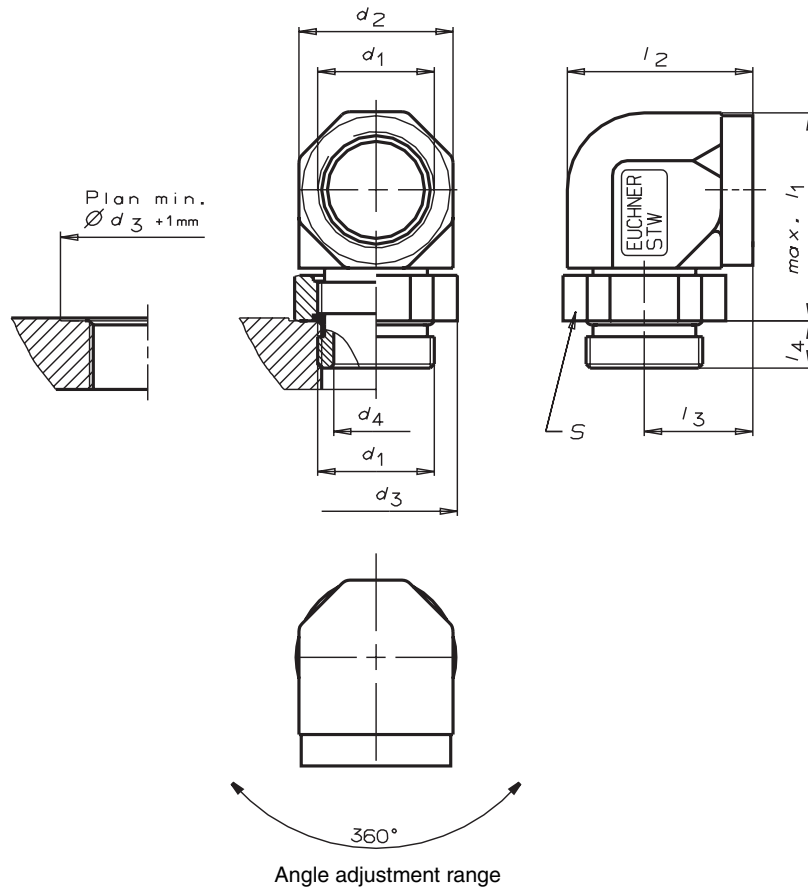


Metal elbows
Type series STW
Size: PG 9 to PG 21

These elbows allow the EUCHNER connectors to be mounted at 90°. The arrangement of the seal, in combination with a special lock

nut, ensures environmental protection according to IP 67 in any desired position. The elbows are also suitable for electrical installation

applications and in equipment or cabinet construction with flexible wiring or armored conduits.



Dimensions

Material	d_1	d_2	d_3	d_4	l_1	l_2	l_3	l_4	s
CuZn	PG 9	20	20	10	31	25	15	5	a/f 19
CuZn	PG 11	23	23	13	35	28	16,5	5	a/f 22
Al	PG 13.5	27	28.5	14.5	39	33	19	5.5	a/f 27
CuZn	PG 16	28	28	17	42	34	20	5.5	a/f 27
CuZn	PG 21	33	33	23	48	40	23.5	7	a/f 32

Ordering / Type Table

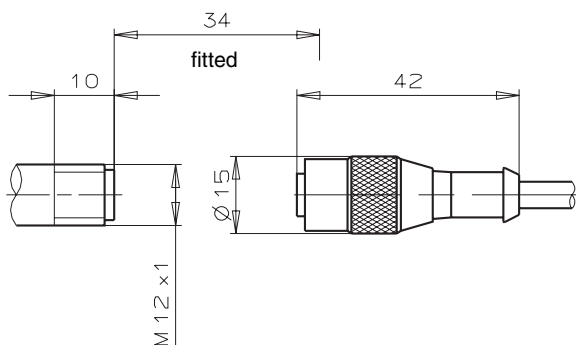
Elbows			
Size	Type	Order No.	Mass [kg]
PG9	STW 9	013 206	0.07
PG11	STW 11	013 202	0.08
PG13.5	STW 13,5	013 203	0.08
PG16	STW 16	013 204	0.12
PG21	STW 21	013 205	0.18

Round connectors with screw plug and molded PUR cable

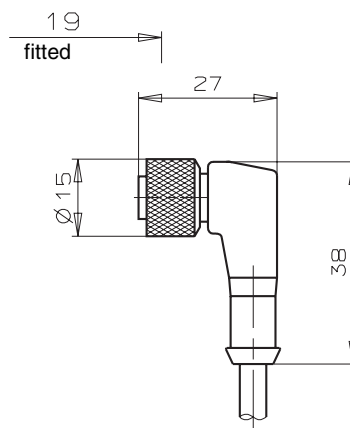
Type series SGLF + SWLF

Number of poles: 4

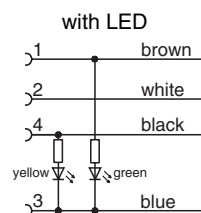
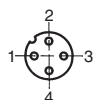
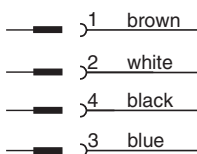
Type SGLF



Type SWLF



Connection pattern



Technical Data

Parameter	Value		Unit
	without LED	with LED	
Version			
Number of poles	4		
Housing material	TPU, UL-Standard 94-V2		
Grip body	TPU, UL-Standard 94-V0		
Contact carrier	TPU, UL-Standard 94-V0		
Environmental protection acc. to IEC 529 / EN 60529 in connected and secured state	IP 67		
Ambient temperature	- 25 to + 90		°C
Contact material	CuZn, nickel-plated, 0.3 µm gold-plated		
Type of connection	PUR lead, molded		
Connection cross-section	4 x 0.25		mm ²
Volume resistance	5		m
Test voltage (for 60 s)	2		kV rms
Rated voltage	250	10 - 30	V
Rated current	4	3	A
Mass	0.2		kg

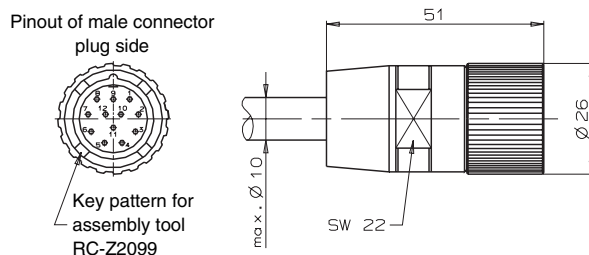
Ordering / Type Table

Version	Type designation	Order No.
Straight plug, without LED, lead 5 m PUR	SGLF4-5000P	035 613
Angled plug, without LED, lead 5 m PUR	SWLF4-5000P	035 618
Angled plug, with 2 LEDs, lead 5 m PUR	SWLF4P-5000P	041 091

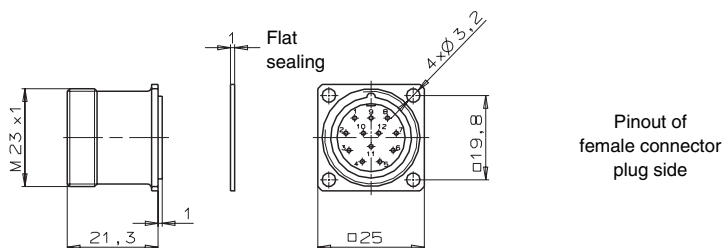
Round connector, thread M23 x 1, metal-encapsulated

Number of poles: 12

Male plug



Female socket



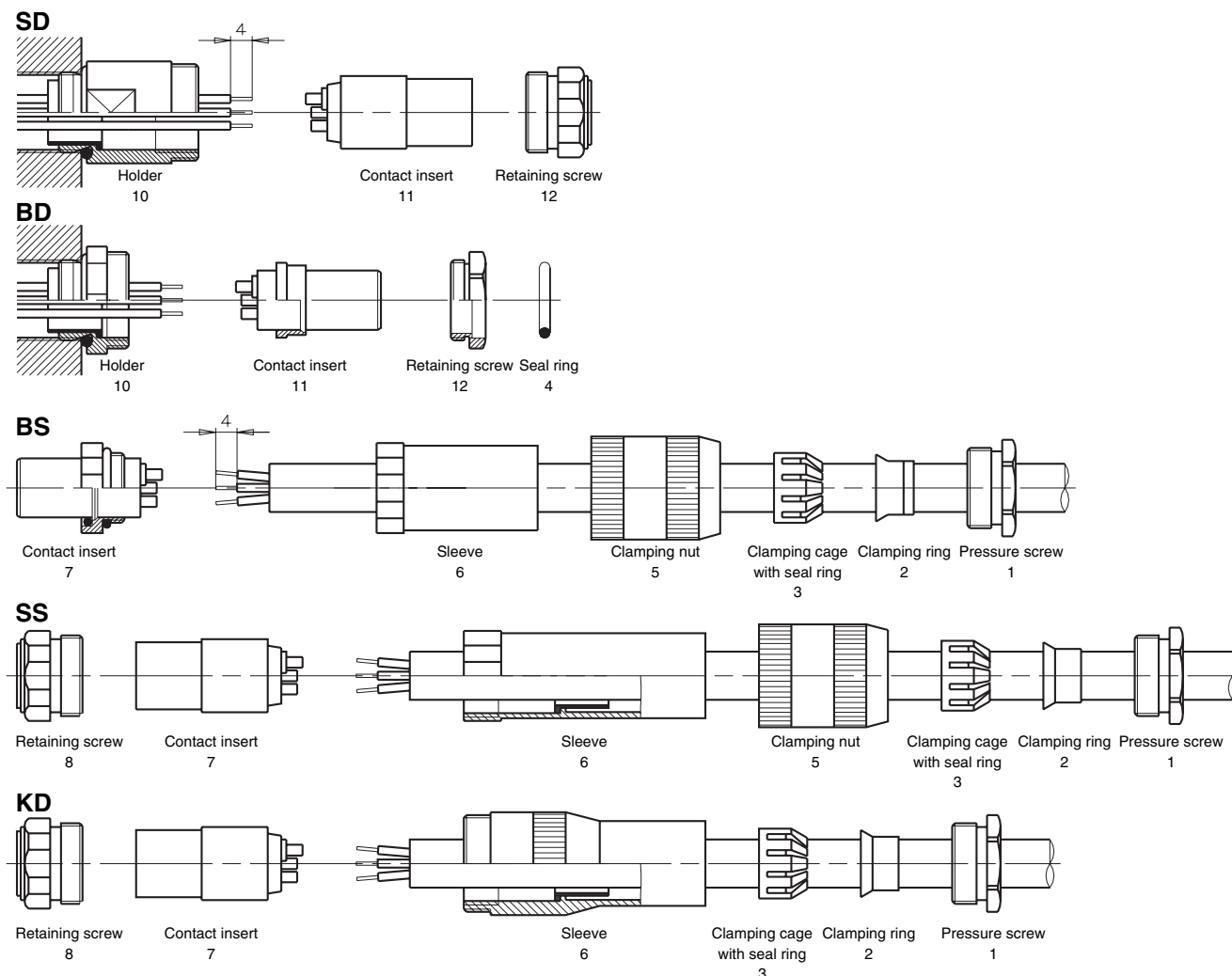
Technical Data

Parameter	Value	Unit
Numbers of poles	12	
Housing material	CuZn nickel-plated	
Environmental protection acc. to IEC 529 / EN60529 in connected and secured state	IP 67	
Ambient temperature	-40 to +125 °C	°C
Contact material	CuZn nickel-plated, gold-plated	
Type of connection		
Male plug	Crimp contacts, included in packaging	
Female socket	Solder terminal, fixed in socket	
Max. connection cross section	0,5	mm ²
Volume resistance	3	m
Test voltage (for 60 s)	2,5	kV rms
Rated voltage	32	V ~/=
Rated current	6	A
Mass	0,1	kg

Ordering / Type Table

Version	Order No.
Male plug, thread M23 x 1	073 294
Female socket, thread M23 x 1	073 290

Assembly instructions for metal-encapsulated round connectors



Assembly of male socket SD and female socket BD on device

- Screw holder 10 in PG thread of the device. Sealing is performed with an O-ring
- Strip the leads to a max. of 4 mm.
- Solder wires to the corresponding terminals of contact insert 11 (30-W soldering iron, rosin-core solder. Soldering time approx. 5 seconds). Start with the inside terminals.
- Route free wire ends through holder 10 to the device connection. Fit contact insert 11 in holder 10 and secure with retaining screw 12.
- For version BD slide seal ring 4 over contact insert 11 into retaining screw 12.

Assembly of female plug BS, male plug SS and coupling socket KD

- Cut back wire sleeve as short as possible. Strip the lead to a max. of 4 mm
- Slide parts 1, 2, 3, 4, 5 and 6 over the wire in the order specified.
- Solder wires to the corresponding terminals of contact insert 7 (30-W soldering iron, rosin-core solder. Soldering time approx. 5 seconds). Start with the inside terminals.
- Push wire sleeve as far as possible towards the solder connections.
- For BS:** Screw sleeve 6 on contact insert 7. Slide clamping nut 5 over sleeve 6.
For SS: Fit contact insert 7 in sleeve 6 and secure with retaining screw 8. Slide clamping nut 5 over sleeve 6.
For KD: Fit contact insert in sleeve 6 and secure with retaining screw 8.
- Test: So that the tightness of the compression gland can be achieved, the wire sleeve must now reach into the connection space.
- Slide clamping cage with seal 3, thrust ring 3 and clamping ring 2 over the wire into sleeve 6 and secure with pressure screw 1.

Proper preparation for EMC

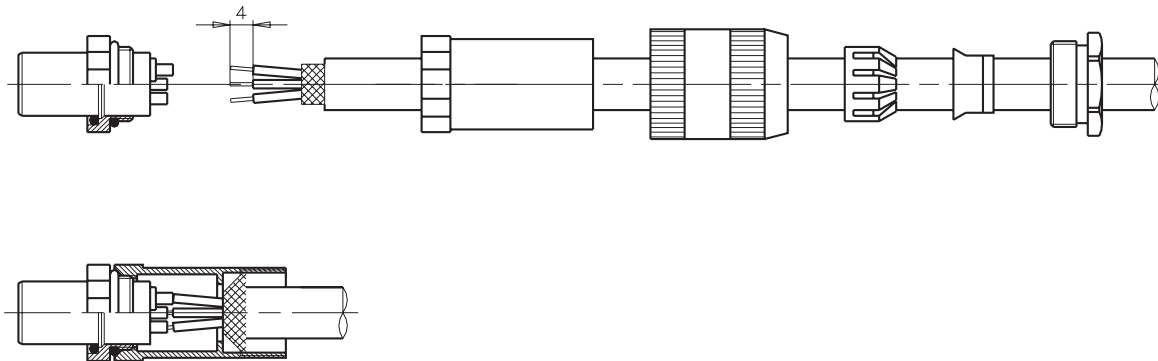
Assembly instructions for preparation of shielded wires in the case of metal-enclosed round connectors

The more demanding and complex electronic devices become, the higher are the demands with regard to electromagnetic compatibility (EMC). Only devices free of electromagnetic interference ensure trouble-free operation.

An important precondition for an optimum EMC solution can be fulfilled by connectors at the input and output of the devices. Shielded connectors that reduce the effects of radiated interference and eliminate conducted interference are the ideal solution. Round connectors with symmetrical pin patterns and all-metal housings are designed for this task. The shielding function can be guaranteed in an optimum manner.



In the case of preparation with shielded wires, the environmental protection is reduced to IP 65.





EUCHNER GmbH + Co. KG

Kohlhammerstraße 16
D-70771 Leinfelden-Echterdingen
Telephone 07 11/75 97-0
Telefax 07 11/75 33 16
www.euchner.de
info@euchner.de

Range of products

Electromechanical Components

Precision single hole fixing limit switches
Precision single plunger limit switches
Limit switches
Precision multiple limit switches
Trip rails and trip dogs
Safety switches
Enabling switches
Joystick switches
Connectors
Precision rotary cam switches

Electronical Components

Inductive single limit switches
Inductive multiple proximity switches
Handwheels
Pendant stations

Systems

Identificationsystems
Encoders
Angular positioning systems
Programmable cam switches

Representation

Australia

Micromax Pty. Ltd.
PO Box 1238
Wollongong NSW 2500
Tel. +61(0)24271-1300
Fax +61(0)24271-8091
micromax@micromax.com.au

Austria

EUCHNER Ges.mbh
Süddruckgasse 4
2512 Tribuswinkel
Tel. +43(0)2252-421-91
Fax +43(0)2252-452-25
info@euchner.at

Benelux

EUCHNER (BENELUX) BV
Visschersbuurt 23
3350 AC Papendrecht
Tel. +31(0)78-6154-766
Fax +31(0)78-6154-311
info@euchner.nl

Brazil

EUCHNER Ltda
Av. Prof. Luiz Ignácio Anhaia Mello,
no. 4387
S. Lucas
São Paulo - SP - Brasil
CEP 03295-000
Tel. +55-11-6918-2200
Fax +55-11-6101-0613
euchner@euchner.com.br

Canada

IAC & Associates Inc.
1925 Provincial Road
Windsor, Ontario
N8W 5V7
Tel. +1-519-966-3444
Fax +1-519-966-6160
sales@iacnassociates.com

China

EUCHNER (Shanghai) Trading Co., Ltd.
Room 20C, 20/F, No. 899
Cross Region Plaza
200030 Shanghai
Tel. +86(0)21-5774-7090
Fax +86(0)21-5774-7599
info@euchner.com.cn

Czech Republic

EUCHNER electric s.r.o.
CTPark Brno, Turanka 1315/112
627 00 Brno
Tel. +420-533-443-150
Fax +420-533-443-153
info@euchner.cz

Denmark

Duelco A/S
Mommarkvej 5
6400 Sønderborg
Tel. +45-7010-1007
Fax +45-7010-1008
info@duelco.dk

Eastern Europe

Hera Elektrotechnische Produkte
Handels Ges.mbh
Hauptstraße 61
2391 Kaltenleutgeben
Tel. +43(0)2238-77518
Fax +43(0)2238-77528
hera_gesmbh@chello.at

Finland

Sähkölehto Oy
Holkkitie 14
00880 Helsinki
Tel. +358(0)9-774-6420
Fax +358(0)9-759-1071
office@sahkolehto.fi

France

EUCHNER France S.A.R.L.
Parc d'Affaires des Bellevues
Allée Rosa Luxembourg
Bâtiment le Colorado
95610 ERAGNY sur OISE
Tel. +33(0)1-3909-9090
Fax +33(0)1-3909-9099
info@euchner.fr

Hong Kong

Imperial Engineers & Equipment Co. Ltd.
Unit B 12/F Cheung Lee Industrial Building
9 Cheung Lee Street Chai Wan
Hong Kong
Tel. +852-2889-0292
Fax +852-2889-1814
info@imperialelec.com

Hungary

EUCHNER Ges.mbh
Magyarországi Fiöktelep
2045 Törökbálint
Tópark utca 1/a.
Tel. +36-2342-8374
Fax +36-2342-8375
info@euchner.hu

India

TEKNIC CONTROLGEAR PVT. LTD.
703, Madhava,
Bandra Kurla Complex
Bandra (East)
Mumbai 400051
Tel. +91(0)22-2659-2392
Fax +91(0)22-2659-2391
teknico@vsnl.com

Iran

INFOCELL IRAN CO.
84, Manoucheri Ave.
P.O. Box 81655-861
Isfahan
Tel. +98(0)311-2211-358
Fax +98(0)311-222-6176
info@infocell-co.com

Israel

Ilan At Gavish Automation Service Ltd.
26 Shenkar St. Qiryat Arie 49513
P.O. Box 10118
Petach Tikva 49001
Tel. +972-3-922-1824
Fax +972-3-924-0761
mail@ilan-gavish.com

Italy

TRITECNICA S.r.l.
Viale Lazio 26
20135 Milano
Tel. +39-02-5419-41
Fax +39-02-5501-0474
info@tritecnica.it

Japan

Solton Co. Ltd.
2-13-7, Shin-Yokohama
Kohoku-ku, Yokohama
Japan 222-0033
Tel. +81(0)45-471-7711
Fax +81(0)45-471-7717
sales@solton.co.jp

Korea

EUCHNER Korea Co., Ltd.
RM 810 Daerung Technotown 3rd
#448 Gasang-Dong
Kumchon-Gu, Seoul
Tel. +82(0)2-2107-3500
Fax +82(0)2-2107-3999
sijang@euchner.co.kr

Mexico

SEPIA S.A. de C.V.
Maricopa # 10
302, Col. Napoles.
Del. Benito Juarez
03810 Mexico D.F.
Tel. +52-55-5536-7787
Fax +52-55-5682-2347
sepia@prodigy.net.mx

New Zealand

W Arthur Fisher Limited
11 Te Apunga Place
Mt Wellington
Auckland
Tel. +64(0)9270-0100
Fax +64(0)9270-0900
chrisl@waf.co.nz

Norway

ELIS ELEKTRO AS
Jerikoveien 16
1067 Oslo
Tel. +47-22-9056-70
Fax +47-22-9056-71
post@eliselektro.no

Poland

ELTRON
Pl. Wolności 7B
50-071 Wrocław
Tel. +48(0)71-3439-755
Fax +48(0)71-3460-225
eltron@eltron.pl

Portugal

PAM Serviços Tecnicos Industriais Lda.
Rua de Timor - Pavilhão 2A
Zona Industrial da Abelheira
4785-123 TROFA
Tel. +351-252-418431
Fax +351-252-494739
pam@mail.telepac.pt

Singapore

Sentronics Automation & Marketing Pte Ltd.
Blk 3, Ang Mo Kio Industrial Park 2A
#05-06
Singapore 568050
Tel. +65-6744-8018
Fax +65-6744-1929
sentronics@pacific.net.sg

Slovakia

EUCHNER electric s.r.o.
CTPark Brno, Turanka 1315/112
627 00 Brno
Tel. +420-533-443-150
Fax +420-533-443-153
info@euchner.cz

Slovenia

SMM d.o.o.
Jaskova 18
2000 Maribor
Tel. +386(0)2450-2326
Fax +386(0)2462-5160
franc.kit@smm.si

Spain

EUCHNER, S.L.U.
Gurutzezi 12 - Local 1
Poligono Belartza
20018 San Sebastian
Tel. +34-943-316-760
Fax +34-943-316-405
euchner@edunet.es

Sweden

Censit AB
Box 331
33123 Värnamo
Tel. +46(0)370-6910-10
Fax +46(0)370-1888-8
info@censit.se

Switzerland

EUCHNER AG
Grofstrasse 17
8887 Mels
Tel. +41(0)81-720-4590
Fax +41(0)81-720-4599
info@euchner.ch

Taiwan

Daybreak Int'l (Taiwan) Corp.
3F, No. 124, Chung-Cheng Road
Shihlin 11145, Taipei
Tel. +886(0)2-8866-1234
Fax +886(0)2-8866-1239
day111@ms23.hinet.net

Thailand

Aero Automation Co., Ltd.
600/441 Moo 14 Phaholyothin Rd.
Kukot, Lamlukka
Patumthanee 12130
Tel. +66(0)2-536-7660-1
Fax +66(0)2-536-7877
aeroautomation@yahoo.co.th

Turkey

ARI Endustri Urunleri SAN. Ve Tic.Ltd.Sti.
Perpa Ticaret Merkezi
A Blok Kat 11 No:1406
34384 Okmeydani/Sisli Istanbul
Tel. +90(0)212-3204-334
Fax +90(0)212-210-0201
euchner@ariendustri.com.tr

United Kingdom

EUCHNER (UK) Ltd.
Unit 2 Petre Drive,
Sheffield
South Yorkshire
S4 7PZ
Tel. +44(0)114-256-0123
Fax +44(0)114-242-5333
info@euchner.co.uk

USA

EUCHNER USA Inc.
6723 Lyons Street
East Syracuse, NY 10357
Tel. +1-315-7010-315
Fax +1-315-7010-319
info@euchner-usa.com

EUCHNER USA Inc.

Detroit Office
130 Hampton Circle
Rochester Hills, MI 48307
Tel. +1-248-573-1092
Fax +1-248-537-1095
info@euchner-usa.com

Head office

EUCHNER GmbH + Co. KG
Kohlhammerstraße 16
70771 Leinfelden-Echterdingen
Germany
Tel. +49(0)711-7597-0
Fax +49(0)711-753316
info@euchner.de
www.euchner.com