

# Glass fiber optics for Series 18, 30

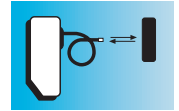
## Reflective types

Series 18  
20-turn pot.

Series 18  
Side mounted pot.  
Teach-in

Series 30  
Fast version

Series 30  
Extended Tw



| Fiber diameter 2 x 0,5 mm <sup>2</sup>                   |   | Part number   | TW = sensing distance [mm]  |    |    |    |    |
|--|---|---|---|----|----|----|----|
| Sheath material: PVC ø 2,5 mm (FUE ...)                  | Sheath material: brass chromium plated ø 4 mm (FUF ...) |   |   |    |    |    |    |
|  |   | <b>FUE 050A2004</b><br><b>FUF 050A2004</b><br>(length 50 cm)  | <table border="1"> <tr><td>10</td></tr> <tr><td>20</td></tr> <tr><td>15</td></tr> <tr><td>35</td></tr> </table> | 10 | 20 | 15 | 35 |
| 10   |   |   |   |    |    |    |    |
| 20   |   |   |   |    |    |    |    |
| 15   |   |   |   |    |    |    |    |
| 35   |   |   |   |    |    |    |    |
|  |   | <b>FUE 100A2004</b><br><b>FUF 100A2004</b><br>(length 100 cm) | <table border="1"> <tr><td>5</td></tr> <tr><td>20</td></tr> <tr><td>15</td></tr> <tr><td>30</td></tr> </table>  | 5  | 20 | 15 | 30 |
| 5  |   |   |   |    |    |    |    |
| 20   |   |   |   |    |    |    |    |
| 15   |   |   |   |    |    |    |    |
| 30   |   |   |   |    |    |    |    |
|  |   | <b>FUE 050A1003</b><br><b>FUF 050A1003</b><br>(length 50 cm)  | <table border="1"> <tr><td>10</td></tr> <tr><td>20</td></tr> <tr><td>15</td></tr> <tr><td>35</td></tr> </table> | 10 | 20 | 15 | 35 |
| 10   |   |   |   |    |    |    |    |
| 20   |   |   |   |    |    |    |    |
| 15   |   |   |   |    |    |    |    |
| 35   |   |   |   |    |    |    |    |
|  |   | <b>FUE 100A1003</b><br><b>FUF 100A1003</b><br>(length 100 cm) | <table border="1"> <tr><td>5</td></tr> <tr><td>20</td></tr> <tr><td>15</td></tr> <tr><td>30</td></tr> </table>  | 5  | 20 | 15 | 30 |
| 5  |   |   |   |    |    |    |    |
| 20   |   |   |   |    |    |    |    |
| 15   |   |   |   |    |    |    |    |
| 30   |   |   |   |    |    |    |    |
|  |   | <b>FUE 050A4004</b><br><b>FUF 050A4004</b><br>(length 50 cm)  | <table border="1"> <tr><td>10</td></tr> <tr><td>20</td></tr> <tr><td>15</td></tr> <tr><td>35</td></tr> </table> | 10 | 20 | 15 | 35 |
| 10   |   |   |   |    |    |    |    |
| 20   |   |   |   |    |    |    |    |
| 15   |   |   |   |    |    |    |    |
| 35   |   |   |   |    |    |    |    |
|  |   | <b>FUE 100A4004</b><br><b>FUF 100A4004</b><br>(length 100 cm) | <table border="1"> <tr><td>5</td></tr> <tr><td>20</td></tr> <tr><td>15</td></tr> <tr><td>30</td></tr> </table>  | 5  | 20 | 15 | 30 |
| 5  |   |   |   |    |    |    |    |
| 20   |   |   |   |    |    |    |    |
| 15   |   |   |   |    |    |    |    |
| 30   |   |   |   |    |    |    |    |
| Fiber diameter 2 x 1 mm <sup>2</sup>                     |   | Part number   | TW = sensing distance [mm]  |    |    |    |    |
| Sheath material: PUR ø 4,5 mm (FUE ...)                  | Sheath material: brass chromium plated ø 5 mm (FUF ...) |   |   |    |    |    |    |
|  |   | <b>FUE 050A2002</b><br><b>FUF 050A2002</b><br>(length 50 cm)  | <table border="1"> <tr><td>15</td></tr> <tr><td>40</td></tr> <tr><td>30</td></tr> <tr><td>70</td></tr> </table> | 15 | 40 | 30 | 70 |
| 15   |   |   |   |    |    |    |    |
| 40   |   |   |   |    |    |    |    |
| 30   |   |   |   |    |    |    |    |
| 70   |   |   |   |    |    |    |    |
|  |   | <b>FUE 100A2002</b><br><b>FUF 100A2002</b><br>(length 100 cm) | <table border="1"> <tr><td>15</td></tr> <tr><td>40</td></tr> <tr><td>30</td></tr> <tr><td>60</td></tr> </table> | 15 | 40 | 30 | 60 |
| 15   |   |   |   |    |    |    |    |
| 40   |   |   |   |    |    |    |    |
| 30   |   |   |   |    |    |    |    |
| 60   |   |   |   |    |    |    |    |
|  |   | <b>FUE 050A1002</b><br><b>FUF 050A1002</b><br>(length 50 cm)  | <table border="1"> <tr><td>15</td></tr> <tr><td>40</td></tr> <tr><td>30</td></tr> <tr><td>70</td></tr> </table> | 15 | 40 | 30 | 70 |
| 15   |   |   |   |    |    |    |    |
| 40   |   |   |   |    |    |    |    |
| 30   |   |   |   |    |    |    |    |
| 70   |   |   |   |    |    |    |    |
|  |   | <b>FUE 100A1002</b><br><b>FUF 100A1002</b><br>(length 100 cm) | <table border="1"> <tr><td>15</td></tr> <tr><td>40</td></tr> <tr><td>30</td></tr> <tr><td>60</td></tr> </table> | 15 | 40 | 30 | 60 |
| 15   |   |   |   |    |    |    |    |
| 40   |   |   |   |    |    |    |    |
| 30   |   |   |   |    |    |    |    |
| 60   |   |   |   |    |    |    |    |
|  |   | <b>FUE 050A4005</b><br><b>FUF 050A4005</b><br>(length 50 cm)  | <table border="1"> <tr><td>15</td></tr> <tr><td>40</td></tr> <tr><td>30</td></tr> <tr><td>70</td></tr> </table> | 15 | 40 | 30 | 70 |
| 15   |   |   |   |    |    |    |    |
| 40   |   |   |   |    |    |    |    |
| 30   |   |   |   |    |    |    |    |
| 70   |   |   |   |    |    |    |    |
|  |   | <b>FUE 100A4005</b><br><b>FUF 100A4005</b><br>(length 100 cm) | <table border="1"> <tr><td>15</td></tr> <tr><td>40</td></tr> <tr><td>30</td></tr> <tr><td>60</td></tr> </table> | 15 | 40 | 30 | 60 |
| 15   |   |   |   |    |    |    |    |
| 40   |   |   |   |    |    |    |    |
| 30   |   |   |   |    |    |    |    |
| 60   |   |   |   |    |    |    |    |
| Fiber diameter 2 x 0,5 mm <sup>2</sup>                   |   | Part number   | TW = sensing distance [mm]  |    |    |    |    |
| Sheath material: Chrome-nickel-steel ø 2 mm FUH 010A2002 |   |   |   |    |    |    |    |
|  |   | <b>FUH 010A2002</b><br>(length 100 cm)                        | <table border="1"> <tr><td>10</td></tr> <tr><td>20</td></tr> <tr><td>15</td></tr> <tr><td>35</td></tr> </table> | 10 | 20 | 15 | 35 |
| 10   |   |   |   |    |    |    |    |
| 20   |   |   |   |    |    |    |    |
| 15   |   |   |   |    |    |    |    |
| 35   |   |   |   |    |    |    |    |

# Glass fiber optics for Series 18, 30

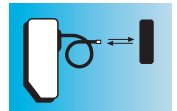
## Reflective types

Series 18  
20-turn pot.

Series 18  
Side mounted pot.  
Teach-in

Series 30  
Fast version

Series 30  
Extended Tw



| Fiber diameter 2 x 2 mm <sup>2</sup>    |   | Part number   | TW = sensing distance [mm] |
|---|---|---|----------------------------|
| Sheath material: PUR ø 4,5 mm (FUE ...) | Sheath material: brass chromium plated ø 5 mm (FUF ...) |   |                            |
|   |   | <b>FUE 050A2011</b><br><b>FUF 050A2011</b><br>(length 50 cm)  | 35<br>80<br>60<br>115      |
|   |   | <b>FUE 100A2011</b><br><b>FUF 100A2011</b><br>(length 100 cm) | 35<br>80<br>60<br>115      |
|   |   | <b>FUE 050A4003</b><br><b>FUF 050A4002</b><br>(length 50 cm)  | 35<br>80<br>60<br>115      |
|   |   | <b>FUE 100A4003</b><br><b>FUF 100A4002</b><br>(length 100 cm) | 35<br>80<br>60<br>115      |
| Fiber diameter 2 x 3 mm <sup>2</sup>    |   | Part number   | TW = sensing distance [mm] |
| Sheath material: PUR ø 6 mm (FUE ...)   | Sheath material: brass chromium plated ø 6 mm (FUF ...) |   |                            |
|   |   | <b>FUE 050A2008</b><br><b>FUF 050A2003</b><br>(length 50 cm)  | 60<br>150<br>100<br>210    |
|   |   | <b>FUE 100A2008</b><br><b>FUF 100A2003</b><br>(length 100 cm) | 55<br>150<br>100<br>200    |
|   |   | <b>FUE 050A3001</b><br><b>FUF 050A3001</b><br>(length 50 cm)  | 60<br>150<br>100<br>210    |
|   |   | <b>FUE 100A3001</b><br><b>FUF 100A3001</b><br>(length 100 cm) | 55<br>150<br>100<br>200    |
| Fiber diameter 2 x 4 mm <sup>2</sup>    |   | Part number   | TW = sensing distance [mm] |
| Sheath material: PUR ø 6 mm (FUE ...)   | Sheath material: brass chromium plated ø 6 mm (FUF ...) |   |                            |
|   |   | <b>FUE 050A2001</b><br><b>FUF 050A2001</b><br>(length 50 cm)  | 60<br>150<br>110<br>230    |
|   |   | <b>FUE 100A2001</b><br><b>FUF 100A2001</b><br>(length 100 cm) | 60<br>150<br>100<br>220    |
|   |   | <b>FUE 050A1001</b><br><b>FUF 050A1001</b><br>(length 50 cm)  | 60<br>150<br>110<br>230    |
|   |   | <b>FUE 100A1001</b><br><b>FUF 100A1001</b><br>(length 100 cm) | 60<br>150<br>100<br>220    |

# Glasfaser-Lichtleiter für Serie 18, 30

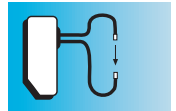
## Einweg-Typen

Serie 18  
20-Gang-Pot.

Serie 18  
Seitliches Pot.  
Teach-in

Serie 30  
Schnelle Version

Serie 30  
Sb erhöht



| Glasfaserquerschnitt 2 x 1 mm <sup>2</sup> |   | Bestell-Nr.  | Sb = Betriebsreichweite [mm] |
|--|---|--|------------------------------|
| Mantelmaterial: PVC ø 2,5 mm (FSE ...)     | Mantelmaterial: Ms verchromt ø 4 mm (FSF ...) |  |                              |
|  |   | <b>FSE 050A2002</b><br><b>FSF 050A2004</b><br>(Länge 50 cm)  | 90<br>270<br>200<br>450      |
|  | * nicht biegsam                               | <b>FSE 100A2002</b><br><b>FSF 100A2004</b><br>(Länge 100 cm) | 90<br>250<br>190<br>500      |
|  |   | <b>FSE 050A2001</b><br><b>FSF 050A2005</b><br>(Länge 50 cm)  | 90<br>270<br>200<br>450      |
|  | * nicht biegsam                               | <b>FSE 100A2001</b><br><b>FSF 100A2005</b><br>(Länge 100 cm) | 90<br>250<br>190<br>500      |
|  |   | <b>FSE 050A1001</b><br><b>FSF 050A1005</b><br>(Länge 50 cm)  | 90<br>270<br>200<br>450      |
|  | * nicht biegsam                               | <b>FSE 100A1001</b><br><b>FSF 100A1005</b><br>(Länge 100 cm) | 90<br>250<br>190<br>500      |
|  |   | <b>FSE 050A4003</b><br><b>FSF 050A4003</b><br>(Länge 50 cm)  | 90<br>270<br>200<br>450      |
|  |   | <b>FSE 100A4003</b><br><b>FSF 100A4003</b><br>(Länge 100 cm) | 90<br>250<br>190<br>500      |
| Glasfaserquerschnitt 2 x 2 mm <sup>2</sup> |   | Bestell-Nr.  | Sb = Betriebsreichweite [mm] |
| Mantelmaterial: PUR ø 4,5 mm (FSE ...)     | Mantelmaterial: Ms verchromt ø 5 mm (FSF ...) |  |                              |
|  |   | <b>FSE 050A2006</b><br><b>FSF 050A2002</b><br>(Länge 50 cm)  | 180<br>450<br>380<br>450     |
|  | * nicht biegsam                               | <b>FSE 100A2006</b><br><b>FSF 100A2002</b><br>(Länge 100 cm) | 170<br>500<br>370<br>860     |
|  |   | <b>FSE 050A1006</b><br><b>FSF 050A1002</b><br>(Länge 50 cm)  | 180<br>450<br>380<br>450     |
|  | * nicht biegsam                               | <b>FSE 100A1006</b><br><b>FSF 100A1002</b><br>(Länge 100 cm) | 170<br>500<br>370<br>860     |
|  |   | <b>FSE 050A4006</b><br><b>FSF 050A4002</b><br>(Länge 50 cm)  | 180<br>450<br>380<br>450     |
|  |   | <b>FSE 100A4006</b><br><b>FSF 100A4002</b><br>(Länge 100 cm) | 170<br>500<br>370<br>860     |

# Glasfaser-Lichtleiter für Serie 18, 30

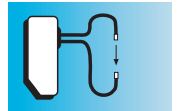
## Einweg-Typen

Serie 18  
20-Gang-Pot.

Serie 18  
Seitliches Pot.  
Teach-in

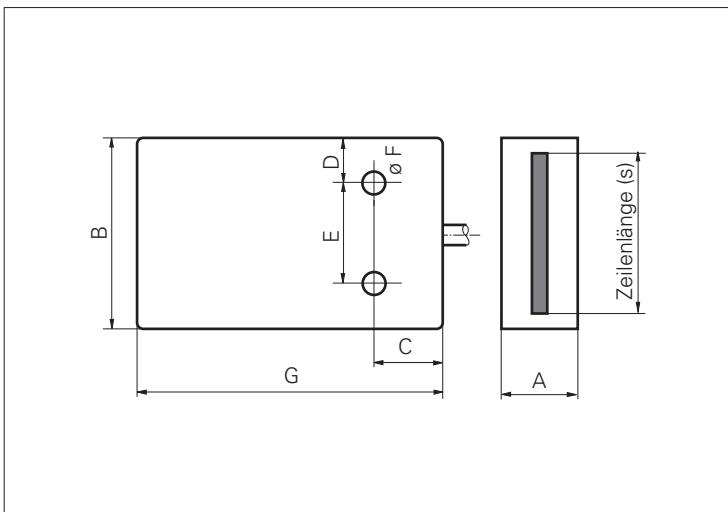
Serie 30  
Schnelle Version

Serie 30  
Sb erhöht



| Glasfaserquerschnitt 2 x 4 mm <sup>2</sup> |   | Bestell-Nr.  | Sb = Betriebsreichweite [mm] |
|--|---|--|------------------------------|
| Mantelmaterial: PVC ø 4 mm (FSE ...)       | Mantelmaterial: Ms verchromt ø 5 mm (FSF ...) |  |                              |
|  |   | <b>FSE 050A2003</b><br><b>FSF 050A2001</b><br>(Länge 50 cm)  | 310<br>500<br>500<br>500     |
|  |   | <b>FSE 100A2003</b><br><b>FSF 100A2001</b><br>(Länge 100 cm) | 300<br>800<br>600<br>1400    |
|  |   | <b>FSE 050A1003</b><br><b>FSF 050A1001</b><br>(Länge 50 cm)  | 310<br>500<br>500<br>500     |
|  |   | <b>FSE 100A1003</b><br><b>FSF 100A1001</b><br>(Länge 100 cm) | 300<br>800<br>600<br>1400    |
|  |   | <b>FSE 050A4004</b><br><b>FSF 050A4004</b><br>(Länge 50 cm)  | 310<br>500<br>500<br>500     |
|  |   | <b>FSE 100A4004</b><br><b>FSF 100A4004</b><br>(Länge 100 cm) | 300<br>800<br>600<br>1400    |

## Arrays (passend zu Serie 18)

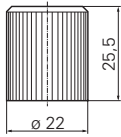
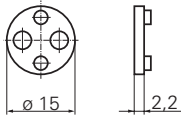
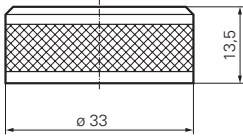
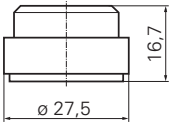
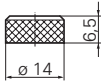


| Bestell-Nr.  | Sb = Betriebsreichweite [mm] |
|--|------------------------------|
| <b>FSF 050A3020</b><br><b>FSE 050A3020</b><br>(Länge 50 cm)  | 310<br>500                   |
| <b>FSF 100A3020</b><br><b>FSE 100A3020</b><br>(Länge 100 cm) | 310<br>800                   |
| <b>FSF 050A3021</b><br><b>FSF 050A3022</b><br>(Länge 50 cm)  | 350<br>500                   |
| <b>FSF 100A3021</b><br><b>FSF 100A3022</b><br>(Länge 100 cm) | 350<br>900                   |

| Zeilenlänge s                      | Abmessungen mm |    |    |     |    |     |    | Bestell-Nr.                  |
|------------------------------------|----------------|----|----|-----|----|-----|----|------------------------------|
|                                    | A              | B  | C  | D   | E  | F   | G  |                              |
| 8 mm                               | 10             | 10 | -  | -   | -  | -   | 25 | FSF 050A3020<br>FSF 100A3020 |
| 8 mm                               | 10             | 10 | -  | -   | -  | -   | 25 | FSE 050A3020<br>FSE 100A3020 |
| 20 mm                              | 10             | 25 | 9  | 6.5 | 12 | 3,2 | 40 | FSF 050A3021<br>FSF 100A3021 |
| 35 mm                              | 12             | 40 | 12 | 7.5 | 25 | 4,2 | 50 | FSF 050A3022<br>FSF 100A3022 |
| Metallmantel (FSF...)              |                |    |    |     |    |     |    | Länge 50 cm<br>Länge 100 cm  |
| Kunststoffmantel (FSE...)<br>(PUR) |                |    |    |     |    |     |    | Länge 50 cm<br>Länge 100 cm  |

# Accessories for fiber optics

## Glass fiber optics

|   |   |  |   |
|---|---|--|---|
| <p><b>Cap nut Series 18</b></p> <p>Part number for fiber optic cable: 101480</p>                |  | <p><b>Adjusting plate Series 18</b></p> <p>Part number for fiber optic cable: 101958</p> |  |
| <p><b>Cap nut Series 30</b></p> <p>Part number for fiber optic cable or glass cover: 102801</p> |  | <p><b>Adapter Series 30</b></p> <p>Part number for fiber optic cable: 102757</p>         |  |
| <p><b>Cap nut Series 15</b></p> <p>Part number for fiber optic cable: 103230</p>                |  |  |   |