

# BALLUFF

sensors worldwide



## Industrial RFID Systems BIS U

The right data at the right time at the right place



**more added value**

# Industrial RFID Systems BIS U

Increase quality and productivity



With over 50 years of sensor experience, Balluff is a leading global sensor specialist with its own line of connectivity products for every area of factory automation. Balluff is based in Germany and has a tight international network of 54 representatives and subsidiaries.

**Mature technology, individual solutions – more efficiency!**  
**Fully exploit the potential of high quality.**

Balluff stands for comprehensive systems from a single source, continuous innovation, the most modern technology, highest quality and greatest reliability and prides itself on distinctive customer orientation, custom-tailored solutions, fast worldwide service and outstanding application assistance.

High-quality, innovative products – certified in accordance with DIN ISO 9001:2008 (EN 29001) – are a secure foundation for optimized value creation for our customers.

Whether electronic and mechanical sensors, rotary and linear transducers, identification systems or optimized connection technology for high-performance automation, Balluff masters not only the entire technological variety with all of the different operating principles, but also provides technology that fulfills regional quality standards and is suitable for use worldwide. Wherever you are in the world, Balluff technology is never far away. You won't have to look far for your nearest Balluff expert.

Balluff products increase performance, quality and productivity around the world every day. They satisfy prerequisites for meeting demands for greater performance and cost reductions on the global market. Even in the most demanding areas. No matter how stringent your requirements may be, Balluff delivers state-of-the-art solutions.



<b>Basic Information and Definitions</b>	4
<b>BIS U</b>	5
Alphanumerical directory	17
Worldwide sales	18



**BIS U**

**more added value**

- 100% quality
- High efficiency
- Increased economy

**For 100% quality and maximum reliability – even at large distances**

The Industrial RFID BIS U ensures flexible communication with fast read/write cycles. Even in highly dynamic applications. The BIS U thereby ensures 100% quality and, with an operating range of up to 6 m, bridges even large distances.

And it does this economically, since BIS U can detect and process multiple data carriers in the same field. Regardless of how you align the data carrier – you are completely flexible with the circularly polarized antenna. Our rugged BIS U systems are simple to integrate into host controller systems: worldwide standards are not only the newest technology, they also bring investment security.

**BIS**



## Basic Information and Definitions

### Areas of Application

**more added value**

- Reliable identification over long distance
- Detection of multiple data carriers in the same field
- Fastest data processing, even in dynamic applications
- More process transparency

#### Areas of application

Bringing together the material and the corresponding information – that is the challenge in logistics. UHF technology makes an important contribution here. Particularly in conveying systems or in the area of logistics and distribution – in which it is not always possible to reproducibly detect load carriers within a few centimeters of the same location – the use of UHF makes sense. With ranges of up to several meters, they have enough performance reserve to reliably detect individual load carriers even from great distances. Even if the load carriers, i.e. pallets, are packed with multiple objects: UHF technology can be used here to detect and process multiple transponders in the same field. Thus, load carriers can be moved past, e.g., so-called RFID gates and automatically detected via UHF. Without completely unstacking the pallet.

The quantity of data on the transponders plays a secondary role here – in many cases, it is sufficient to uniquely identify the transponder. The assignment takes place in a higher-level database. This simplifies tracking even beyond company boundaries.

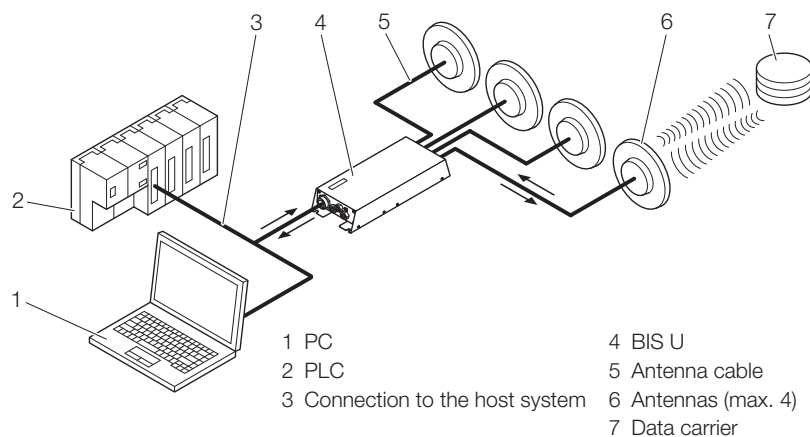
A handbook containing the physical fundamentals, reference antennas and parameters, characteristics of the components and system behavior for the operation of a UHF system is available on our website: [www.balluff.com/industrial-rfid](http://www.balluff.com/industrial-rfid)

#### Functional principle Identification systems

The BIS U Identification System is classified as a non-contacting system with read and write function. This allows it to transport not only programmed information that is fixed in the data carrier, but also to collect and pass on current information.

The main components of the BIS U Identification System are:

- Reader
- Antennas
- Data carrier



# Industrial RFID Systems BIS U

## Tags or Transponders

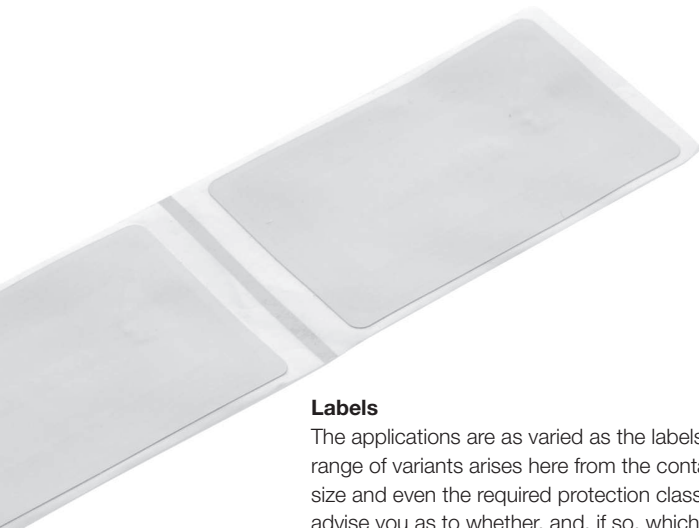
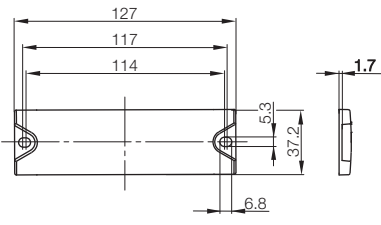


### Transponder

- Fast mounting with two holes
- Directly on metal with holder
- Rugged housing for closed-loop applications

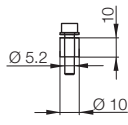
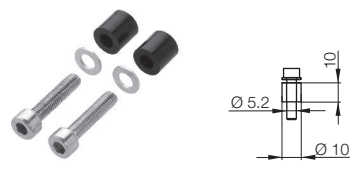
Dimensions	127x37.2x7
Housing material	PPS-GF40
Weight	18 g
<b>Ordering code</b>	<b>BIS 00NL</b>
Part number	BIS U-100-01/CA
User data	512 bits
Frequency	840...960 MHz
Insulation class acc. to IEC 60529	IP 67
Memory capacity read/write	96...480 bit EPC
Memory capacity read-only	32-bit ID, 64-bit unique ID
Standards	EPC global™, Class 1, gen 2, ISO 18000-6C
Ambient temperature	-40...+85°C
Storage temperature	-40...+85°C

- Tags or Transponders**
- Antennas
  - Accessories – Antennas
  - Processors TCP/IP and RS232
  - Accessories – Processors
  - Handheld
  - Configuration Software, Service, Alpha-numerical Directory



### Labels

The applications are as varied as the labels that are used. A wide range of variants arises here from the contact surface, the maximum size and even the required protection class. We will be happy to advise you as to whether, and, if so, which labels may be used in your application.  
 We look forward to hearing from you: [tecsupport@balluff.com](mailto:tecsupport@balluff.com)



### Ordering code BAM01LW

Part number BIS Z-SP-003

- Fastener set consisting of:
- 2 plastic distance rollers
  - 2 socket cap screws with hexagon socket, ISO4762-M 5X22-8,8-A2B
  - 2 washers D 125-A 5,3-ST-A2P

# Industrial RFID Systems BIS U

## Antennas

An important part of the system are the antennas. Together with the transponder, they are largely responsible for the range and the illumination of the application area. The power available to the antenna can be flexibly set via the reader. The frequency range for UHF systems is dependent on the region of use. There are, thus, country-specific variants here as with the readers. Regardless of whether you install the antennas near gates or plan to use them in a conveyor line – the wide range of accessories simplifies integration in all places of use.

### Antennas from Balluff stand for

- Simple mounting with standard accessories
- Metal connector for secure connection
- Rugged housing for use where you need it



Dimensions	
Housing material	
Weight	
<b>Ordering code</b>	
Part number	
Frequency range	
Approved radiated power	
Antenna gain	
Antenna impedance	
Connection type	
Degree of protection	
Ambient temperature T <sub>a</sub>	
Dispersion angle	



# Industrial RFID Systems BIS U Antennas



For USA/Canada!  
**902...928 MHz**



For Europe!  
**865...868 MHz**

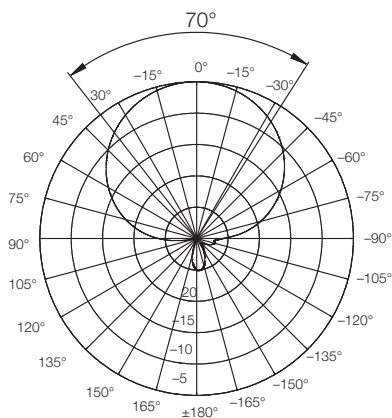
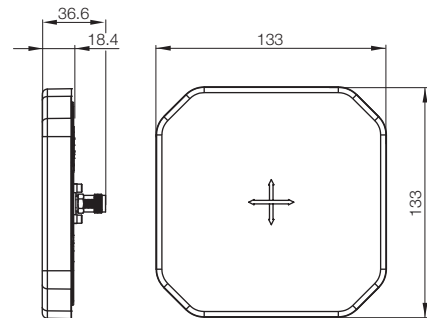
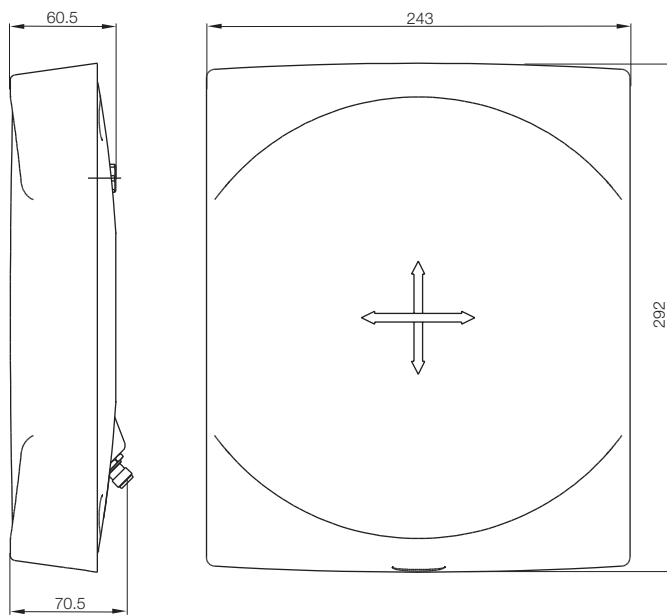


For Europe!  
**865...868 MHz**

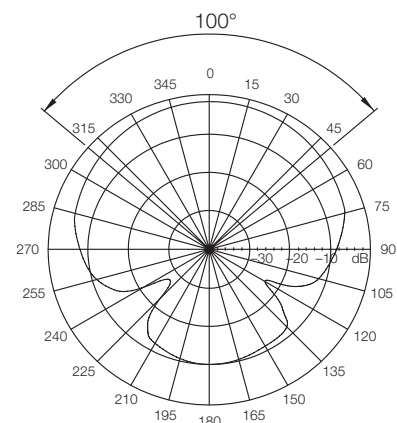
**BIS U**

292×243×60.5	292×243×60.5	133×133×18.4
PS	PS	PC
960 g	960 g	365 g
<b>BIS00MC</b>	<b>BIS00MH</b>	<b>BIS00PO</b>
BIS U-300-C1-TNCB	BIS U-300-C0-TNCB	BIS U-301-C0-TNCB
902...928 MHz	865...868 MHz	865...868 MHz
< 2 W ERP ETSI EN 302208	< 2 W ERP ETSI EN 302208	< 0.5 W ERP ETSI EN 302208
8.4 dBic	8.4 dBic	5.5 dBic
50 Ω	50 Ω	50 Ω
TNC socket	TNC socket	TNC socket
IP 54 (with connector)	IP 54 (with connector)	IP 67 (with connector)
-25...+55°C	-25...+55°C	-30...+70°C
68° vertical, 70° horizontal	68° vertical, 70° horizontal	100° vertical, 100° horizontal

Tags or Transponders  
**Antennas**  
Accessories – Antennas  
Processors TCP/IP and RS232  
Accessories – Processors  
Handheld  
Configuration Software, Service, Alpha-numerical Directory



Radiation pattern, horizontal







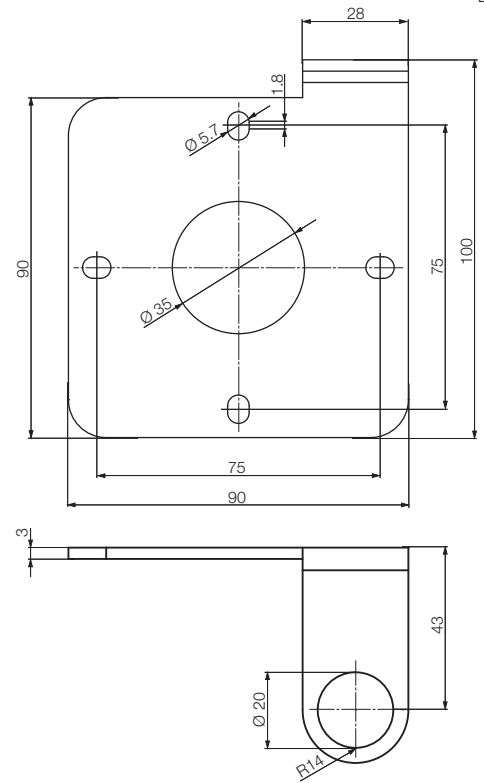
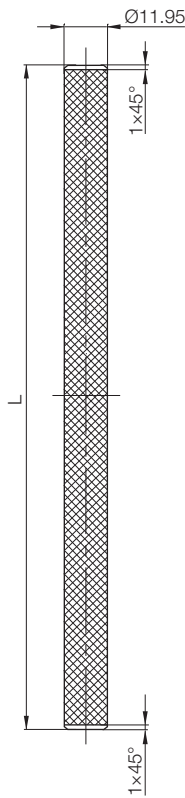
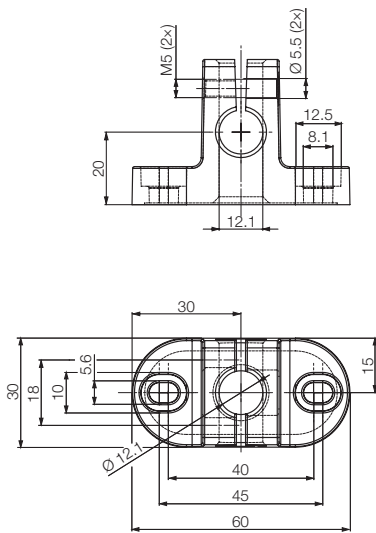


**BIS U**

Base holder For 1 mounting rod $\varnothing$ 12 mm (vertical or horizontal) For mounting on base plates or profiles	Mounting rod $\varnothing$ 12 mm Knurled, length 150 mm	Antenna holder for BIS U-300...TNCB BIS U-301...TNCB
<b>BAM002W</b>	<b>BAM002R</b>	<b>BAM01JK</b>
BMS CU-M-D12-A040-00	BMS RS-M-D12-0150-00	BIS Z-HW-003
Al anodized	Al anodized	V4A (1.4571)

Tags or Transponders  
Antennas  
**Accessories – Antennas**  
Processors TCP/IP and RS232  
Accessories – Processors  
Handheld  
Configuration Software, Service, Alpha-numerical Directory

The mounting rods are knurled full-length.  
This prevents any position change.



You can find additional information on the topic of accessories in our Accessories Program catalog or online at [www.balluff.com](http://www.balluff.com)

# Industrial RFID Systems BIS U

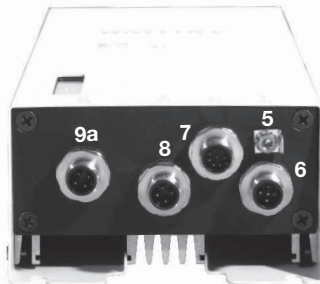
Processors BIS U-602\_... TCP/IP and RS232

- Simple mounting with standard accessories
- Metal connector for secure connection
- Rugged housing for use where you need it

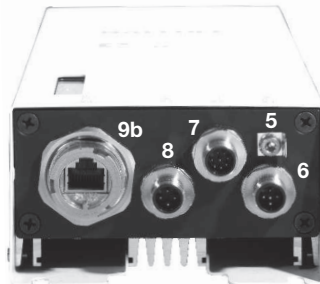
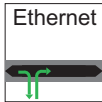
## 4 antennas on top



## RS232 interface



## Ethernet TCP/IP interface



- 1 Antenna port 1
- 2 Antenna port 2
- 3 Antenna port 3
- 4 Antenna port 4
- 5 Function ground FE
- 6 X1 power supply
- 7 X2 control inputs / outputs  
I/O ports for additional functionality
- 8 X3 RS232 service interface
- 9a X4 application interface - RS232 variant
- 9b X4 application interface - TCP/IP variant

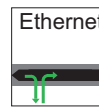
## Ordering example:

BIS U-602\_0\_ - - 4-0\_-ST2\_

Hardware type	Software type	Antenna socket version	Interface	Customer connection
0 serial interface RS232	53 RS232 54 Ethernet TCP/IP	10 Country setting 865...868 MHz Europe 11 Country setting 902...928 MHz USA/Canada	0 RS232 6 Ethernet	6 for serial device 7 for TCP/IP device

# Industrial RFID Systems BIS U

## Processors BIS U-602\_... TCP/IP and RS232



Tags or Transponders  
Antennas  
Accessories – Antennas  
**Processors TCP/IP and RS232**  
Accessories – Processors  
Handheld  
Configuration Software, Service, Alpha-numerical Directory

Function		Read/write		Read/write
Housing material		AlMgSi 0.5		AlMgSi 0.5
Weight		2100 g		2100 g
<b>For Europe!</b>				
Frequency range	<b>Ordering code</b>	<b>BIS00M7</b>		<b>BIS00NA</b>
865...868 MHz	Part number	BIS U-6020-053-104-00-ST26		BIS U-6027-054-104-06-ST27
<b>For USA/Canada!</b>				
Frequency range	<b>Ordering code</b>	<b>BIS00R2</b>		<b>BIS00R1</b>
902...928 MHz	Part number	BIS U-6020-053-114-00-ST26		BIS U-6027-054-114-06-ST27
Operating voltage		24 V DC ± 20 %		24 V DC ± 20 %
Ripple		≤ 10 %		≤ 10 %
Current consumption at 24 V DC		≤ 1 A		≤ 1 A
X3 service interface		RS232		RS232
X4 application interface		<b>RS232</b>		<b>Ethernet</b>
Characteristic impedance of antenna ports		50 Ω		50 Ω
Adjustable power at the antenna ports		17...30 dBm (50 mW...1 W)		17...30 dBm (50 mW...1 W)
X1 power supply		V <sub>s</sub> 24 V DC: panel connector M12, 5-pole		V <sub>s</sub> 24 V DC: panel connector M12, 5-pole
X2 control inputs / control outputs		M12 panel connector, 8-pin		M12 panel connector, 8-pin
X3 service interface		M12 panel connector, 4-pin		M12 panel connector, 4-pin
X4 application interface		M12 panel connector, 4-pin (BIS U-6020)		Bayonet connector RJ45 (BIS U-6027)
Antenna ports 1 - 4		Antenna socket R-TNC		Antenna socket R-TNC
Degree of protection per IEC 60529		IP 65		IP 65

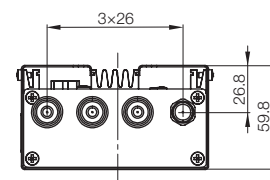
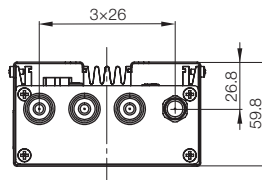
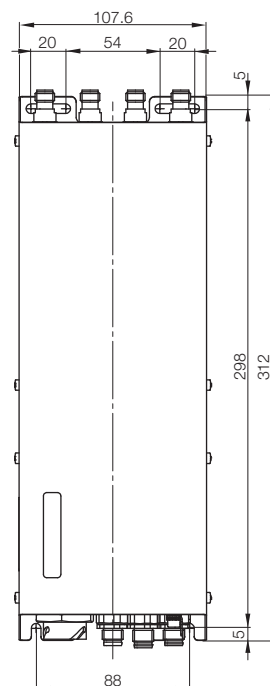
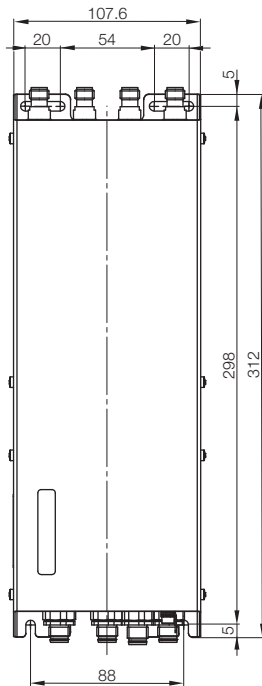
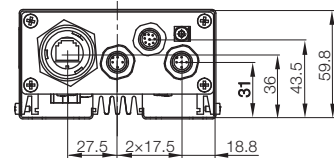
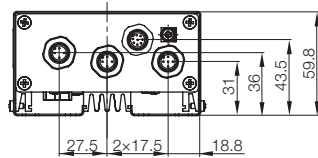
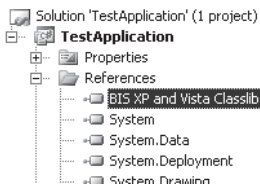
Included in the scope of delivery:

- BIS U-602\_
- 5x closure cap
- BIS Software-CD
- Condensed manual in printed form (DE/EN)

Accessories (please order separately)  
DLL for integrating the protocol in PC-based controller or evaluation unit.

**Ordering code BAE00F2**

Part number BIS-Z-SW-UHF-DLL



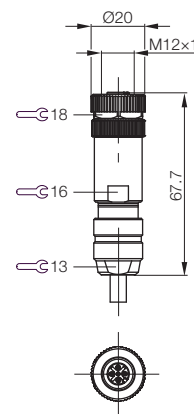
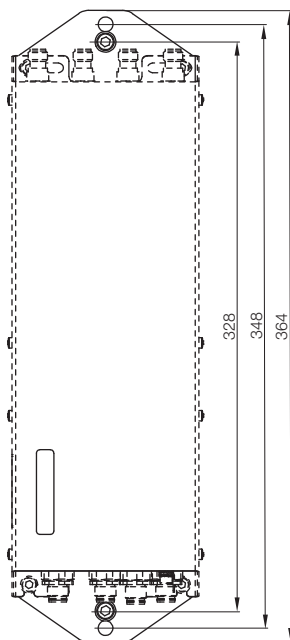
# Industrial RFID Systems BIS U

Accessories – Processors BIS U-602\_...



Description	Fastening plate		
Type		5-pin, female	
Version		for connecting to processors	
		supply voltage	
<b>Ordering code</b>	<b>BAM01KN</b>	<b>BCC06ZN</b>	
Part number	BIS Z-HW-004	BCC M475-0000-1A-000-01X575-000	
<b>Ordering code</b>			
Part number			
<b>Ordering code</b>			
Part number			
<b>Ordering code</b>			
Part number			
Connector		M12 - field-attachable	
Cable diameter		5...8 mm	
Conductor cross section		0.14 mm <sup>2</sup> ...0.75 mm <sup>2</sup>	
Degree of protection per IEC 60529		IP 67	
Ambient temperature		-25...+85 °C	
Cable			
Surge impedance			

For mounting on profile rail, steel screw connection.



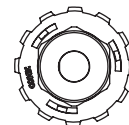
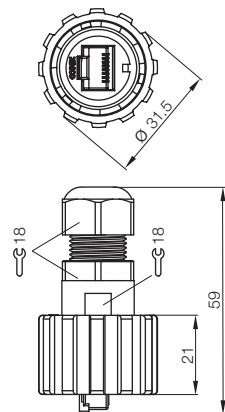
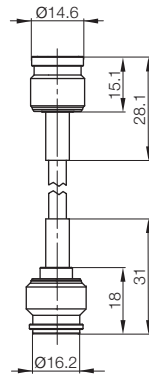
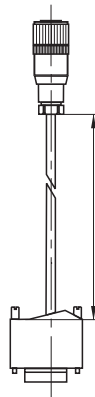
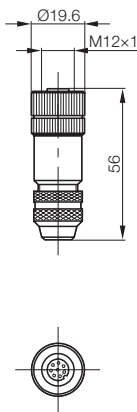
- Included for mounting are:
- 2 BIS Z-HW-004 retaining plates
  - 4 socket cap screws with hexagon socket M5×10 DIN 912, A2, 8.8
  - 2 socket cap screws with hexagon socket M6×12 DIN 912, A2, 8.8
  - 4 washers 5 DIN 125, A2
  - 2 washers 6 DIN 125, A2



**BIS U**

		Adapter cable	Connection cable	RJ45 coupling
	8-pin, female for connecting to processors RS232 service interface	for connecting to processors BIS U-6020-053-104-00-ST26 BIS U-6027-054-104-06-ST27	for connecting to processors and antenna	for Ethernet TCP/IP
	<b>BCC00YA</b>	<b>BCC00PL</b>	<b>BAM01HL</b>	<b>BCC09N2</b>
	BKS-S115-00	BIS-C-522-PVC-02	BIS U-500-EF-01	BCC E878-0000-Z1-41X8T4
			<b>BAM01HM</b>	
			BIS U-500-EF-02	
			<b>BAM01HN</b>	
			BIS U-500-EF-05	
			<b>BAM01HP</b>	
			BIS U-500-EF-10	
	M12 6...8 mm	Serial interface RS232 to PC 5.8 mm	TNC connector 7/16"	4.58 mm
	IP 67 -40...+85 °C	IP 67 -5...+80 °C PVC	5 mm 0.94 mm IP 68 -40...+85°C FRPE 50 Ω	IP 67 -20...+60°C

Tags or Transponders  
Antennas  
Accessories – Antennas  
Processors TCP/IP and RS232  
**Accessories – Processors**  
Handheld  
Configuration Software, Service, Alpha-numerical Directory



Crimping tool for RJ45 connector 11030273

# Industrial RFID Systems BIS U

## Handheld

### For enhanced operating convenience

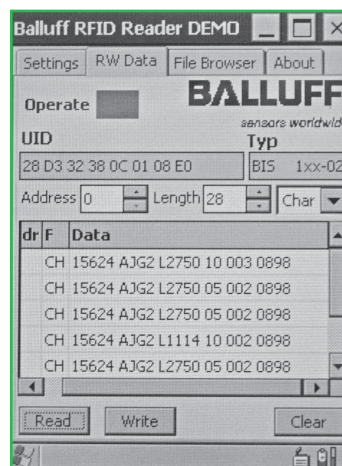
For portable writing and reading BIS-U-transponders.

Easy operation thanks to

- Touchscreen with large color display
- Windows CE®
- Preinstalled Balluff software and keyboard or stylus.

Ideal even for poor light conditions and harsh environments! Data transfer via optional WLAN, Bluetooth or wired USB. The handheld is also modular for expandability.

Handheld Standard  
BIS U-870-1-008-X-000  
including charger and  
stylus



# Industrial RFID Systems BIS U Handheld

**BIS U**

Function	Read/write
Housing material	ABS
Weight	585 g
<b>Ordering code</b>	<b>BAE00EE</b>
Part number	BIS U-870-1-008-X-000
Indicator	TFT touchscreen display
Power supply	3.7 V rechargeable battery pack
Capacity	4000 mA/h
Interface	Bluetooth
Operating temperature	-10...+50°C
Degree of protection per IEC 60529	IP 65
Accessories	Charging power supply and stylus
Order accessories separately	Docking station and pistol grip

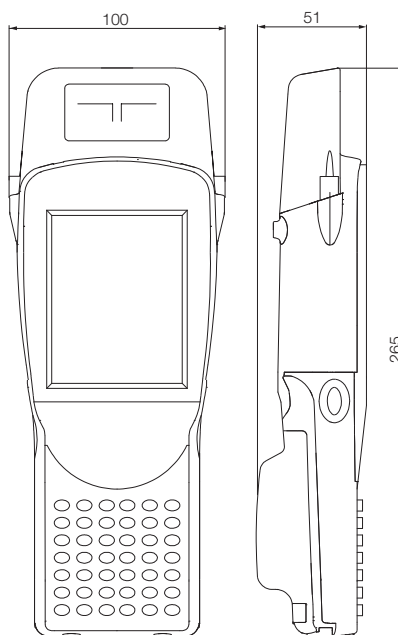


- PSION-based UHF handheld
- Windows CE®
- Touchscreen
- Delivered with software development kit (SDK)
- Includes charger and stylus
- Bluetooth "on-board"

Optional

- WLAN
- Handle
- 1D/2D barcode reader
- Docking station

Customer-specific software on request:  
tecsupport@balluff.com



Tags or Transponders  
Antennas  
Accessories – Antennas  
Processors TCP/IP and RS232  
Accessories – Processors  
**Handheld**  
Configuration Software, Service, Alpha-numerical Directory

**Additional convenience**

A pistol grip is provided for ergonomic comfort.



Docking station with power supply 11023834

Pistol grip 11023836

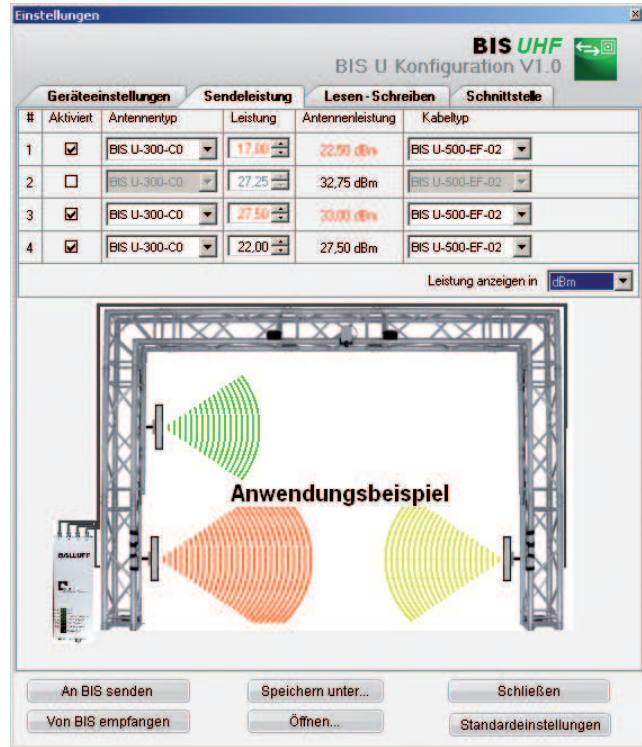
# Industrial RFID Systems BIS U

## Configuration Software

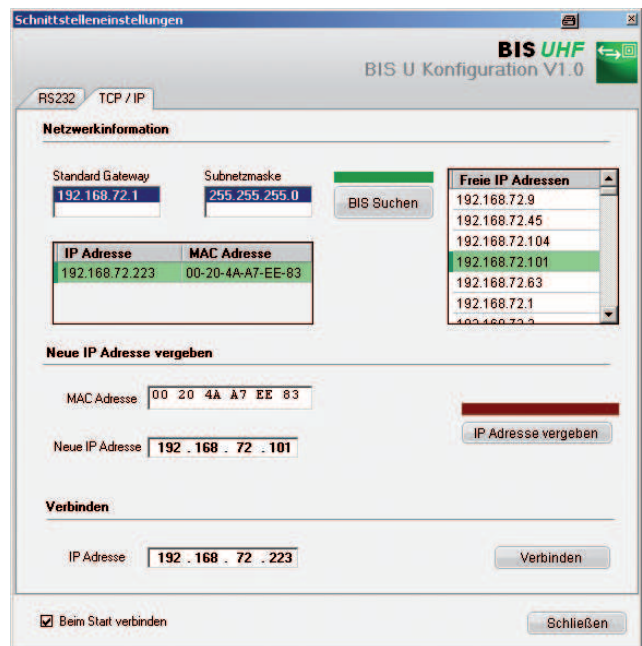
Parameters are configured using the "BIS UHF Manager" software. One requirement is that the processor is connected to the controlling system. The parameter settings can be overwritten at any time. The parameters can be saved in an XML file so that they can be retrieved whenever needed.

### Example applications

Setting the transmission power and dependency on the used antenna



The BIS U-6027 processor and the controlling system communicate via Ethernet. Assigning a unique IP address associates the processor with a network.





## → Step 1 Preliminary

Description of the installation conditions and physical characteristics:

- Mechanical installation
- Power limits
- Ambient parameters
- Detection type
- Transponder types
- Stationary/mobile read/write devices

## → Step 2 Feasibility

- Project description and definition of objectives
- Type and characteristics of the solution
- Where are the weak points
- Selection of system components

## → Step 3 Solution suggestion

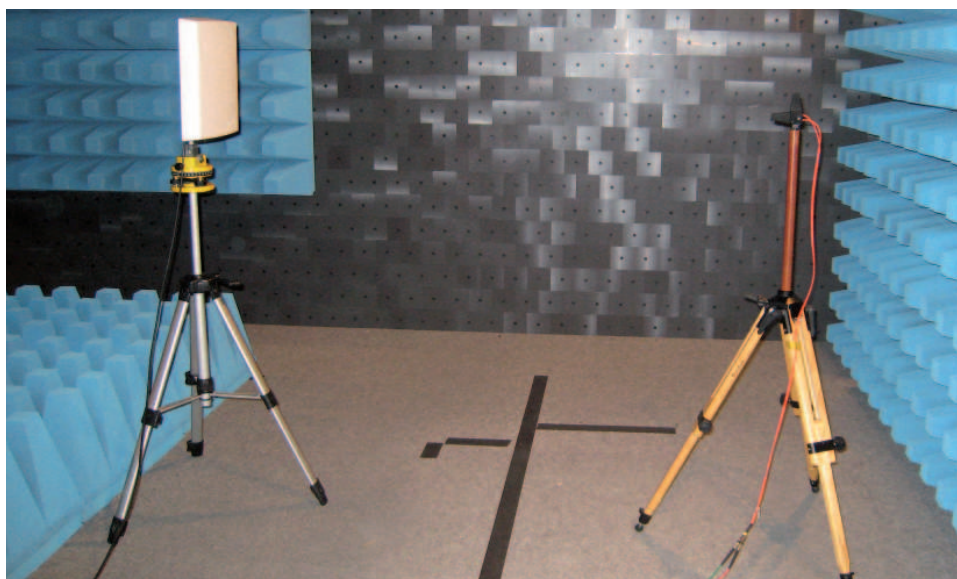
- Preparation of samples and test settings
- Testing of RFID technology in the actual environment
- Performance comparison of various applications

## → Step 4 Project coaching

- Control of system integrators
- Support in all launch phases
- Project documentation and knowledge integration
- User training

We assist you in finding a solution to your RFID task with short decision paths and personal contacts – from design to implementation. The objectives and chances of success of your RFID identification task are objectively analyzed and the system design refined.

The RFID system components are then selected. The solution design phase is concluded with a temporary test setup on-site on the system. You thereby receive valuable information for RFID use in your environment and are then able to perform a realistic ROI assessment.



### We are happy to help!

Tel. +49 7158 173-401  
+49 7158 173-727  
E-mail: TecSupport@balluff.de

**BIS U**

Tags or Transponders  
Antennas  
Accessories – Antennas  
Processors TCP/IP and RS232  
Accessories – Processors  
Handheld  
**Configuration Software, Service, Alphanumerical Directory**

### Alphanumerical Directory

Part number	Ordering code	Page
BCC E878-0000-Z1-41X8T4	<b>BCC09N2</b>	13
BCC M475-0000-1A-000-01X575-000	<b>BCC06ZN</b>	12
BIS U-100-01/CA	<b>BIS00NL</b>	5
BIS U-300-C0-TNCB	<b>BIS00MH</b>	7
BIS U-300-C1-TNCB	<b>BIS00MC</b>	7
BIS U-301-C0-TNCB	<b>BIS00P0</b>	7
BIS U-500-EF-01	<b>BAM01HL</b>	13
BIS U-500-EF-02	<b>BAM01HM</b>	13
BIS U-500-EF-05	<b>BAM01HN</b>	13
BIS U-500-EF-10	<b>BAM01HP</b>	13
BIS U-6020-053-104-00-ST26	<b>BIS00M7</b>	11
BIS U-6020-053-114-00-ST26	<b>BIS00R2</b>	11
BIS U-6027-054-104-06-ST27	<b>BIS00NA</b>	11
BIS U-6027-054-114-06-ST27	<b>BIS00R1</b>	11
BIS U-870-01-008-x-000	<b>BAE00EE</b>	15
BIS Z-HW-003	<b>BAM01JK</b>	9
BIS Z-HW-004	<b>BAM01KN</b>	12
BIS Z-SP-003	<b>BAM01LW</b>	5
BIS-C-522-PVC-02	<b>BCC00PL</b>	13
BIS-Z-SW-UHF-DLL	<b>BAE00F2</b>	11
BKS-S115-00	<b>BCC00YA</b>	13
BMS CS-M-D12-IZ	<b>BAM0031</b>	8
BMS CU-M-D12-A040-00	<b>BAM002W</b>	9
BMS RS-M-D12-0150-00	<b>BAM002R</b>	9

## Headquarters

### Germany

Balluff GmbH  
Schurwaldstrasse 9  
73765 Neuhausen a.d.F.  
Phone: +49 7158 173-0  
Fax +49 7158 5010  
balluff@balluff.com

## Subsidiaries and Representatives

### Argentina

Nortécnica S.R.L.  
103 – Heredia 638  
B1672BKD  
Villa Lynch – San Martín  
Pcia. de Buenos Aires  
Phone +54 11 47573129  
Fax +54 11 47571088  
info@nortecnica.com.ar

### Australia

Balluff-Leuze Pty. Ltd.  
12 Burton Court  
Bayswater VIC 3153  
Phone +61 397 204100  
Fax +61 397 382677  
sales@balluff.com.au

### Austria

Balluff GmbH  
Industriestraße B16  
2345 Brunn am Gebirge  
Tel. +43 2236 32521-0  
Fax +43 2236 32521-46  
sensor@balluff.at

### Belarus

Automaticcentre OOO.  
Nezavisimosti Av. 185,  
Block 19, Office 3  
220125 Minsk  
Phone +375 17 2181713  
Fax +375 17 2181798  
balluff@nsys.by

### Belgium

Balluff bvba  
Researchpark Haasrode 1820  
Interleuvenlaan 62,  
3001 Leuven  
Phone +32 16 397800  
Fax +32 16 397809  
info.be@balluff.be

### Brazil

Balluff Controles  
Elétricos Ltda.  
Rua Francisco Foga, 25  
Distrito Industrial  
CEP 13280.000  
Vinhedo – Sao Paulo  
Phone +55 19 38769999  
Fax +55 19 38769990  
balluff@balluff.com.br

### Bulgaria

BPS AG  
41, Nedelcho Bonchev St.  
1528 Sofia  
Phone +359 2 9609875  
Fax +359 2 9609896  
bps@bps.bg

### Canada

Balluff Canada Inc.  
2840 Argentinia Road, Unit 2  
Mississauga, Ontario L5N 8G4  
Phone 905 816-1494  
Toll-free 1-800-927-9654  
Fax 905 816-1411  
balluff.canada@balluff.ca

### Chile

Balluff Controles  
Eléctricos Ltda.,  
Brazil

### China

Balluff (Shanghai) Trading Co. Ltd.  
Room 1006, Pujian Road 145,  
Shanghai 200127  
Phone +86 21 5089 9970  
Fax +86 21 5089 9975  
info@balluff.com.cn

### Columbia

Balluff Controles  
Eléctricos Ltda.,  
Brazil

### Croatia

HSTEC d.d.  
Zagrebacka 100  
23000 Zadar  
Phone +385 23 205-405  
Fax +385 23 205-406  
info@hstec.hr

### Czech Republic

Balluff CZ, s.r.o  
Pelušková 1400  
198 00 Praha 9 – Kyje  
Phone +420 281 000 666  
Fax +420 281 940066  
obchod@balluff.cz

### Denmark

Balluff ApS  
Åbogade 15  
8200 Århus N  
Phone +45 70 234929  
Fax +45 70 234930  
info.dk@balluff.dk

### Egypt

EGEC  
24 St., 302 Taksym El Kodah-smouha,  
First Floor, Department 1  
Alexandria  
Phone +20 3 4299771  
Fax +20 3 4261773  
info@egecgroup.com

### Finland

Murri Oy  
Koukkukatu 1  
15700 Lahti  
Phone +358 3 8824000  
Fax +358 3 8824040  
myynti@murri.fi

### France

Balluff SAS  
ZI Nord de Torcy-Bat 3  
Rue des Tanneurs – BP 48  
77201 Marne La Vallée Cedex 1  
Phone +33 1 64111990  
Fax +33 1 64111991  
info.fr@balluff.fr

### Greece

S. NAZOS S.A.  
10 KLM Thessalonikis-Kilkis  
P.O. Box 57008  
Thessaloniki  
Phone +30 2310 462120  
Fax +30 2310 474079  
parasxos@nazos.gr

### Hong Kong

Sensortech Company  
No. 43, 18th Street  
Hong Lok Yuen,  
Tai Po, NT  
Phone +852 26510188  
Fax +852 26510388  
sensortech@netvigator.com

### Hungary

Balluff Elektronika Kft.  
Pápai út. 55.  
8200 Veszprém  
Phone +36 88 421808  
Fax +36 88 423439  
saleshu@balluff.hu

### Iceland

Smith & Norland  
Nóatúni 4  
105 Reykjavik  
Phone +354 520 3000  
Fax +354 520 3011  
olaf@sminor.is

### India

Balluff India  
405 Raikar Chambers  
Deonar Village Road,  
Govandi, Mumbai 400088  
Phone +91 22 25568097  
Fax +91 22 25560871  
olaf@balluff.co.in

### Indonesia

PT. Multiguna Cemerlang  
Bumi Serpong Damai Sektor XI  
Multipurpose Industrial Building  
Block H 3-31  
Serpong Tangerang  
15314 Banten  
Phone +62 21 75875555  
Fax +62 21 75875678  
sales\_bsd@multigunacemerlang.com

### Israel

Ancitech Ltd.  
19, Hamashbir St.  
Industrial Zone Holon  
58853 Holon  
Phone +972 3 5568351  
Fax +972 3 5569278  
nissim@ancitech.com

### Italy

Balluff Automation S.R.L.  
Via Morandi 4  
10095 Grugliasco, Torino  
Phone +39 11 3150711  
Fax +39 11 3170140  
info.italy@balluff.it

### Japan

Balluff Co., Ltd.  
Ishikawa Bldg. 2nd Fl.  
1-5-5 Yanagibashi, Taito-Ku  
Tokyo 111-0052  
Tel. +81 03 5833-5440  
Fax +81 03 5833-5441  
info.jp@balluff.jp

### Kazakhstan

elcos electric control systems  
2A, Molodezhniy Str. 3D  
Block O., Offices 318-319  
050061 Almaty  
Phone +7 727 3340536  
Fax +7 727 3340539  
info@elcos.kz

### Lithuania

UAB Interautomatika  
Kęstučio 47  
08127 Vilnius  
Phone +370 5 2607810  
Fax +370 5 2411464  
andrius@interautomatika.lt

### Malaysia

Profacto Solution & Services Sdn. Bhd.  
No. 23-1 Jalan Bandar Empat Balas  
Pusat Bandar Puchong,  
47100 Puchong, Selangor  
Phone +60 35882 2684  
Fax +60 35882 2685  
ckkkkyong@streamyx.com

Team Automation Systems (M) Sdn. Bhd.  
No. 94-B, Jalan Raja Uda  
Butterworth, Penang  
Phone +60 4 3102888  
Fax +60 4 3102889  
sales-pg@teamtas.com.my

### Mexico

Balluff de México S.A. de C.V.  
Prol. Av. Luis M. Vega #109  
Col. Ampliación Cinmatario  
C.P. 76030  
Queretaro, Qro.  
Phone +52 442 2124882  
Fax +52 442 2140536  
balluff.mexico@balluff.com

### Netherlands

Balluff B.V.  
Kempenlandstraat 11H  
5262 GK Vught  
Phone +31 73 6579702  
Fax +31 73 6579786  
info.nl@balluff.nl

### New Zealand

Balluff-Leuze Pty. Ltd.,  
Australia

### Norway

Primatec as  
Lillesandsveien 44  
4877 Grimstad  
Phone +47 37 258700  
Fax +47 37 258710  
post@primatec.no

### Philippines

Technorand Sales Corporation  
803 Wilshire Annapolis Plaza,  
No. 11 Annapolis Street,  
San Juan, Metro Manila 1500  
Phone +63 2 7245006  
Fax +63 2 7245010  
technorand@gmail.com

### Poland

Balluff Sp. z o.o.  
Ul. Muchoborska 16  
54-424 Wrocław  
Phone +48 71 3384929  
Fax +48 71 3384930  
balluff@balluff.pl

### Portugal

LA2P Lda.  
Rua Teófilo Braga, 156 A  
Escrit. F – Edifício S. Domingos  
Cabeco Do Mouro  
2785-122 S. Domingos De Rana  
Phone +351 21 4447070  
Fax +351 21 4447075  
la2p@la2p.pt

### Romania

East Electric s.r.l.  
256 Basarabia Blvd.  
030352 Bucuresti  
Phone +40 31 4016301  
Fax +40 31 4016302  
office@eastelectric.ro

# Worldwide Sales

## Russia

Balluff OOO  
M. Kaluzhskaja Street 15  
Building 17, Office 500  
119071 Moscow  
Phone +7 495 78071-94  
Fax +7 495 78071-97  
balluff@balluff.ru

## Serbia

ENEL d.o.o.  
Ul. Vasilja Pavlovica 10  
14000 Valjevo  
Phone +381 14 291161  
Fax +381 14 244641  
enelvaljevo@gmail.com

## Singapore

Balluff Asia Pte. Ltd.  
BLK 1004 Toa Payoh  
Ind. Park  
Lorong 8, #03-1489  
Singapore 319076  
Phone +65 62524384  
Fax +65 62529060  
balluff@balluff.com.sg

## Slovakia

Balluff Slovakia s.r.o.  
Blagoevova 9  
85104 Bratislava  
Phone +421 2 67200062  
Fax +421 2 67200060  
info@balluff.sk

## Slovenia

Senzorji SB d.o.o.,  
Proizvodnja,  
trgovina in storitve d.o.o.  
Livadna ulica 1  
2204 Miklavž na Dravskem polju  
Phone +386 2 6290300  
Fax +386 2 6290302  
senzorji.sb@siol.net

## South Africa

PAL Distributers CC  
291A Pine Avenue, Ferndale  
Randburg, Gauteng  
Phone +27 11 7814381  
Fax +27 11 7818166  
pal@polka.co.za

## South Korea

Mahani Electric Co. Ltd.  
792-7 Yeoksam-Dong  
Kangnam-Gu, Seoul  
Post code: 135-080  
Phone +82 2 21943300  
Fax +82 2 21943397  
yskim@balluff.co.kr

## Spain

Balluff S.L.  
Edificio Forum SCV  
Planta 5°, Oficina 4°  
Carretera Sant Cugat a Rubi  
Km01, 40-50  
08190 Sant Cugat del Vallés  
Barcelona  
Phone +34 93 5441313  
Fax +34 93 5441312  
info.es@balluff.es

## Sweden

Balluff AB  
Gamlestadsvägen 2, B19  
41502 Göteborg  
Phone +46 31 3408630  
Fax +46 31 3409431  
info.se@balluff.se

## Switzerland

Balluff Sensortechnik AG  
Riedstrasse 6  
8953 Dietikon  
Phone +41 43 3223240  
Fax +41 43 3223241  
sensortechnik@balluff.ch

## Taiwan

Canaan Electric Corp.  
6F-5, No. 63 Sec. 2  
Chang An East Road  
10455 Taipei  
Phone +886 22 5082331  
Fax +886 22 5084744  
sales@canaan-elec.com.tw

## Thailand

Compomax Co. Ltd.  
16 Soi Ekamai 4,  
Sukhumvit 63 Rd.  
Prakanongnua, Vadhana,  
Bangkok 10110  
Phone +66 2 7269595  
Fax +66 2 7269800  
info@compomax.co.th

## Turkey

Balluff Sensor Otomasyon  
Sanayi Ve Ticaret Ltd. Sti.  
Perpa Ticaret Is Merkezi  
A Blok, Kat 1-2-3  
No: 0013-0014  
34381 Okmeydani/Istanbul  
Phone +90 212 3200411  
Fax +90 212 3200416  
balluff@balluff.com.tr

## Ukraine

Micronlogistik Ltd.  
Ul. Promyischlennaya Street 37  
65031 Odessa  
Phone +380 48 7781278  
Fax +380 48 2358760  
info@balluff-ua.com

## United Arab Emirates

Multiline Technical Co.  
TCA, behind ADCB Bank  
46530 Abu Dhabi  
Phone +971 2 6457760  
Fax +971 2 6459761  
multiline@emirates.net.ae

## United Kingdom and Ireland

Balluff Ltd.  
4 Oakwater Avenue  
Cheadle Royal Business Park  
Cheadle, Cheshire SK8 3SR  
Phone +44 161 282-4700  
Fax +44 161 282-4701  
sales@balluff.co.uk

## USA

Balluff Inc.  
8125 Holton Drive  
Florence, KY 41042-0937  
Phone +1 859 727-2200,  
Toll-free 1-800-543-8390  
Fax +1 859 727-4823  
balluff@balluff.com

## Venezuela

Balluff Controles  
Eléctricos Ltda.,  
Brazil





## Object Detection

Inductive sensors BES, cylinder sensors BMF, magnetic field sensors BMF, capacitive sensors BCS for object detection, ultrasonic sensors BUS for object detection, photoelectric sensors BOS, fiber optic devices BFB, fiber optics BFO, angle sensors BWL, through-beam fork sensors BGL, optical window sensors BOW, light grids BLG, contrast sensors BKT, luminescence sensors BLT, color sensors BFS, mechanical and inductive single and multiple position switches BNS



## Linear Position Sensing

Micropulse® transducers BTL, magnetic linear encoder system BML, incremental encoders BDG, absolute encoders BRG, inductive displacement system BIW, inductive positioning system BIP, inductive distance sensors BAW, magnetoinductive distance sensors BIL, capacitive distance sensors BCW, photoelectric distance sensors BOD, ultrasonic sensors BUS for analog distance measurement



## Fluid Sensors

Pressure sensors BSP, capacitive sensors BCS for level detection



## Industrial Identification

Industrial RFID systems BIS, vision sensors BVS



## Industrial Networking and Connectivity

Connectors and connection cables BCC, valve connectors BCC, passive splitter boxes BPI, active splitter boxes BNI, IO-Link, bus systems (Profibus, Profinet, CC-Link, DeviceNet, EtherNet), inductive couplers BIC, wireless systems BWT, power supplies BAE, electrical devices BAE



## Accessories

Brackets and mountings, assembly system BMS

Balluff GmbH  
Schurwaldstrasse 9  
73765 Neuhausen a.d.F.  
Germany  
Phone +49 7158 173-0  
Fax +49 7158 5010  
balluff@balluff.com



8, Avenue de la Malle - ZI Les Coïdes  
51370 SAINT BRICE COURCELLES  
Tél. : 03.26.04.20.21 - Fax : 03.26.04.28.20  
Email : info@audin.fr - Web : http://www.audin.fr

- COMPOSANTS D'AUTOMATISME
- SYSTEMES D'AUTOMATISME
- CONSTITUANTS ELECTROTECHNIQUES
- MESURE ET CONTROLE
- SECURITE MACHINE

