

Industrial RFID Systems BIS M

Contents

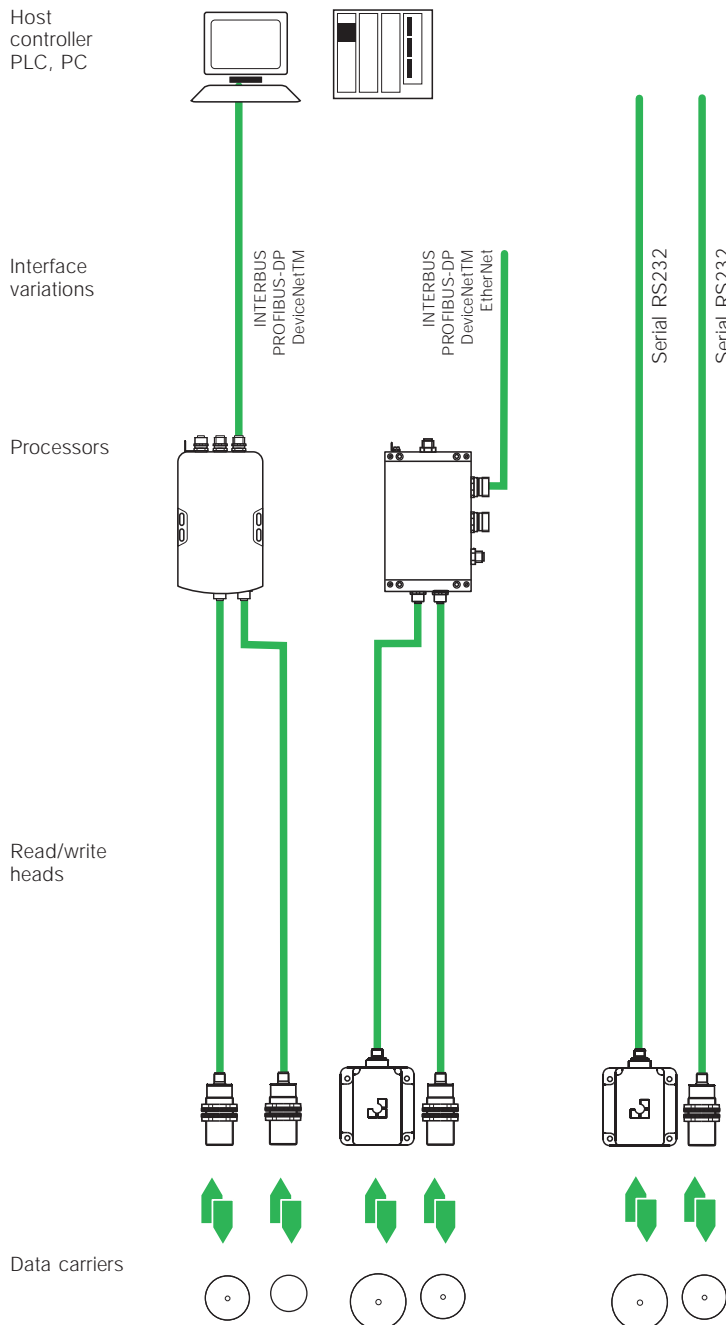


BIS M

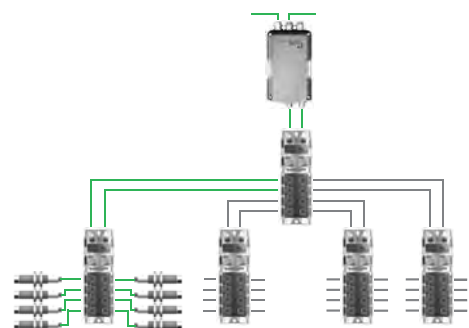
For lightning-quick data transfer and large read/write distances

- 134 Range of applications
- 136 Selection criteria for read/write distances
- 138 Data carriers
- 144 Read/write heads
- 152 Read/write heads with integrated processor
- 160 Processors
- 170 Handy Programmer
- 172 Handheld
- 174 Installation
- 176 Read/write times, Accessories

BIS M



Expander module BIS Z-ER
See starting page 210



Industrial RFID Systems BIS M

Wide range of applications, many different variants

The main areas of application of BIS M include internal company logistics, access control and copy protection. The powerful identification system is proven in all applications where lightning-fast data transfer and large read/write distances are required. Select the most suitable BIS M system for your application from the table.

Data carrier	Tools		Production			
	Data storage on machine tools		Tool and die management		Assembly conveying systems	
	Tool holder collar	Retention knob	On tool	Dies	Pallets	On part
BIS M-101-01/L					■	
BIS M-102-01/L					■	
BIS M-105-01/A	■	■	■	■		■
BIS M-105-02/A	■	■	■	■		■
BIS M-108-02/L			■	■	■	
BIS M-110-02/L					■	
BIS M-111-02/L					■	
BIS M-112-02/L					■	
BIS M-120-01/L						
BIS M-122-02/A	■	■	■			■
BIS M-150-02/A			■	■		
BIS M-151-02/A			■	■		



Industrial RFID Systems BIS M

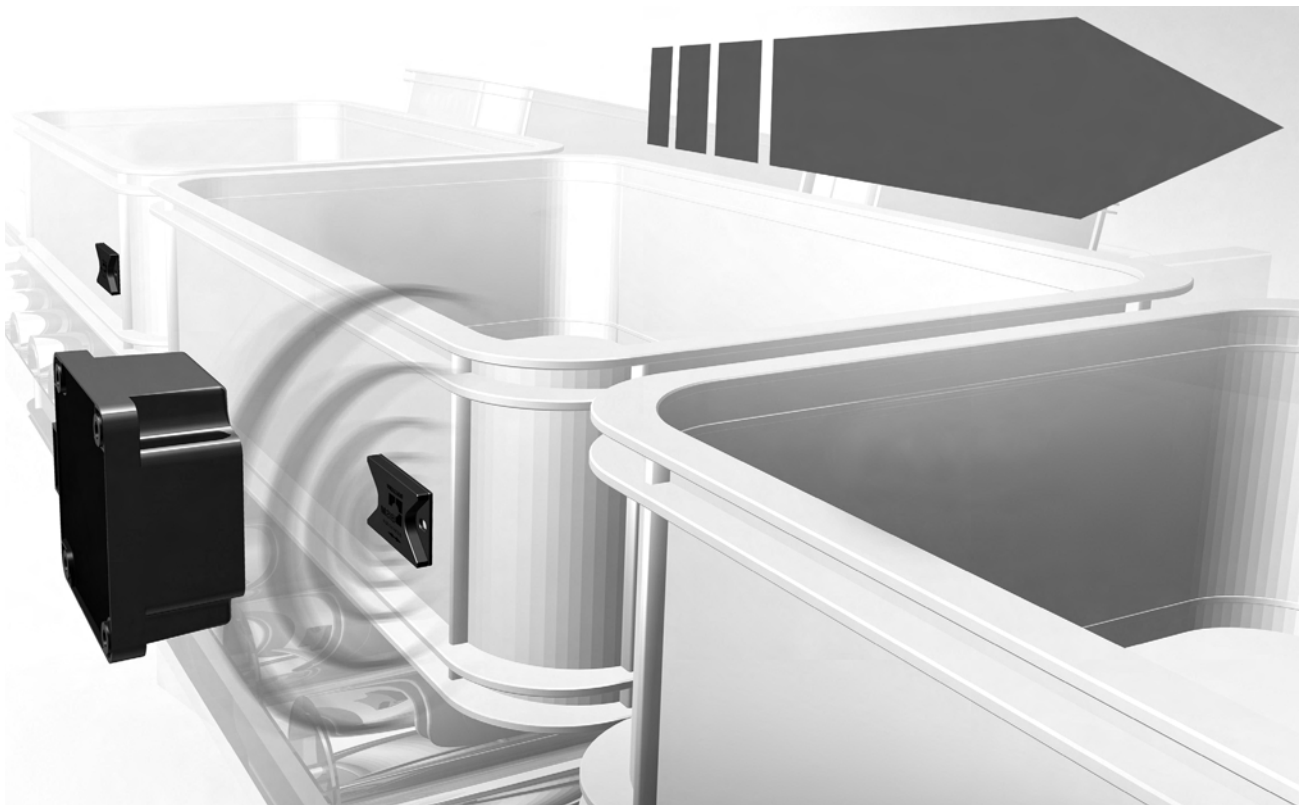
Typical applications

Intralogistics						Access and object control														
Closed logistics circuits		Storage and retrieval equipment Storage and tracking		Intelligent vehicles (driverless transport vehicles)		Object detection		Access control Entry control		Read/write	Dynamic or static	Installation in metal	For harsh environments	Long distances (> 16 mm)	752-byte memory	2000-byte memory				
Retainer/workpiece carrier	Pallets	Retainer/workpiece carrier	Workpiece carrier Skid	Guiding, steering	Identification	In component	On component	Reliable access control	Process access	PartID										
■					■				■		■	■		■	■					
■	■				■				■		■	■		■	■					
		■		■		■				■	■		■	■						■
■		■	■				■			■	■	■	■							■
■	■	■						■	■		■	■	■							■
■	■	■			■				■		■	■	■							■
	■								■		■	■	■							■
						■		■		■	■	■	■							■
	■	■	■		■		■				■	■	■							■
	■	■	■		■						■	■	■							■



Range of Applications

- Selection Criteria
- Data carriers
- Read/write heads
- Read/write heads with integrated processor
- Processors
- Handy Programmer
- Handheld Installation
- Read/write times, Accessories



Industrial RFID Systems BIS M

Selection criteria for read/write distances

0-12



Read/write heads

			BIS M-302-001-__ M-302-003-__ Page 145	BIS M-304-001-__ M-304-003-__ Page 147	BIS M-400-007-001-__ Page 155	BIS M-400-007-002-__ Page 153	BIS M-402-007-__ Page 157
Data carrier		Memory capacity in bytes	Read/write distance				
BIS M-105-01/A BIS M-105-02/A Page 138		752 2000	0...7 mm 0...9 mm	0...5 mm 0...5 mm	0...7 mm 0...11 mm	0...5 mm 0...5 mm	
BIS M-122-01/A BIS M-122-02/A Page 138		752 2000	0...7 mm 0...9 mm	0...4 mm 0...5 mm		0...4 mm 0...5 mm	0...5 mm 0...5 mm
BIS M-110-02/L Page 139		2000	0...16 mm	0...14 mm	0...20 mm	0...15 mm	0...8 mm

8-20



Read/write heads

			BIS M-300-001-__ M-300-003-__ Page 149	BIS M-302-001-__ M-302-003-__ Page 145	BIS M-304-001-__ M-304-003-__ Page 147	BIS M-400-007-001-__ Page 155	BIS M-400-007-002-__ Page 153
Data carrier		Memory capacity in bytes	Read/write distance				
BIS M-101-01/L Page 138		752	0...22 mm	0...16 mm	0...14 mm	0...20 mm	0...15 mm
BIS M-102-01/L Page 139		752	0...32 mm	0...20 mm	0...18 mm	0...28 mm	0...18 mm
BIS M-105-01/A BIS M-105-02/A Page 138		752 2000	0...11 mm 0...11 mm	0...7 mm 0...9 mm	0...5 mm 0...7 mm	0...7 mm 0...11 mm	0...6 mm 0...9 mm
BIS M-108-02/L Page 141		2000	0...30 mm	0...20 mm	0...18 mm	0...16 mm	0...20 mm
BIS M-110-02/L Seite 139		2000	0...22 mm	0...16 mm	0...14 mm	0...20 mm	0...15 mm
BIS M-111-02/L Page 139		2000	0...28 mm	0...20 mm		0...28 mm	0...20 mm

15-30



Read/write heads

			BIS M-300-001-__ M-300-003-__ Page 149	BIS M-302-001-__ M-302-003-__ Page 145	BIS M-400-007-001-__ Page 155	BIS M-400-007-002-__ Page 153	BIS M-401-007-001-__ Page 159
Data carrier		Memory capacity in bytes	Read/write distance				
BIS M-110-02/L Page 139		2000	0...22 mm	0...16 mm	0...20 mm	0...15 mm	0...30 mm
BIS M-101-01/L Page 138		752	0...22 mm	0...16 mm	0...20 mm	0...15 mm	0...28 mm
BIS M-111-02/L Page 139		2000	0...28 mm	0...20 mm	0...28 mm	0...20 mm	0...40 mm
BIS M-102-01/L Page 139		752	0...32 mm	0...20 mm	0...28 mm	0...18 mm	0...45 mm
BIS M-112-02/L Page 140		2000	0...44 mm	0...30 mm	0...38 mm	0...28 mm	0...60 mm
BIS M-108-02/L Page 141		2000	0...30 mm	0...20 mm	0...28 mm	0...20 mm	0...40 mm

0...2 mm = Data carrier flush mounted in steel

Industrial RFID Systems BIS M

Selection criteria for read/write distances

How much data do you require?

How dynamic is your application?

Use the table and combine the BIS M components as you need them.

In three steps you will have selected your BIS M system:

1. First choose the appropriate form factor for your data carrier and the associated read/write heads.
2. Then determine your read/write distance, which also depends on the speed of your system: the faster the data carrier moves, the closer the distance needs to be.
3. Finally determine the desired memory capacity.
This will give you the maximum data security.

Questions?

Whatever your need, whether analysis, selection and return on investment, formats, interfaces and software, installation, disassembly and retrofitting – in short: we are here to help you in every way.

Take advantage of our personal consultation, individual support and worldwide service. And contact us.

25-50



Read/write heads

			BIS M-300-001-__ M-300-003-__ Page 149	BIS M-301-001-__ M-301-003-__ Page 151	BIS M-302-001-__ M-302-003-__ Page 145	BIS M-400-007-001-__ Page 155	BIS M-401-007-001-__ Page 159
Data carrier	Memory capacity in bytes	Read/write distance					
BIS M-110-02/L Page 139	2000	0...22 mm	0...32 mm	0...16 mm	0...20 mm	0...30 mm	
BIS M-101-01/L Page 138	752	0...22 mm	0...34 mm	0...16 mm	0...20 mm	0...28 mm	
BIS M-111-02/L Page 139	2000	0...28 mm	0...45 mm	0...20 mm	0...28 mm	0...40 mm	
BIS M-102-01/L Page 139	752	0...32 mm	0...45 mm	0...20 mm	0...28 mm	0...45 mm	
BIS M-112-02/L Page 140	2000	0...44 mm	0...70 mm	0...30 mm	0...38 mm	0...60 mm	
BIS M-108-02/L Page 141	2000	0...30 mm	0...45 mm	0...20 mm	0...28 mm	0...40 mm	
BIS M-120-01/L Page 141	752		0...50 mm			0...50 mm	

> 40



Read/write heads

			BIS M-300-001-__ M-300-003-__ Page 149	BIS M-301-001-__ M-301-003-__ Page 151	BIS M-351-001-__ Page 150	BIS M-401-007-001-__ Page 159	BIS M-451-007-001-__ Page 158
Data carrier	Memory capacity in bytes	Read/write distance					
BIS M-102-01/L Page 139	752	0...32 mm	0...45 mm			0...45 mm	
BIS M-112-02/L Page 140	2000	0...44 mm	0...70 mm			0...60 mm	
BIS M-108-02/L Page 141	2000	0...30 mm	0...45 mm			0...40 mm	
BIS M-120-01/L Page 141	752		0...50 mm			0...50 mm	
BIS M-150-02/A Page 143	2000				0...60 mm on metal		0...60 mm on metal
BIS M-151-02/A Page 143	2000				0...60 mm on metal		0...60 mm on metal

BIS M

Range of Applications

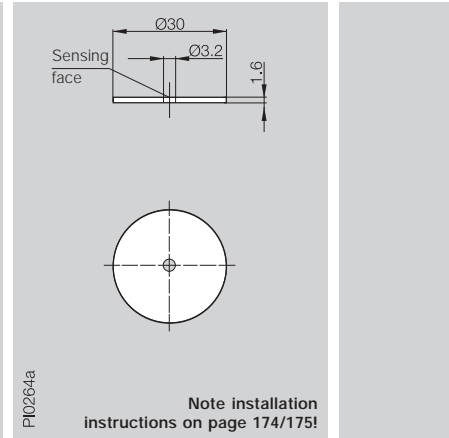
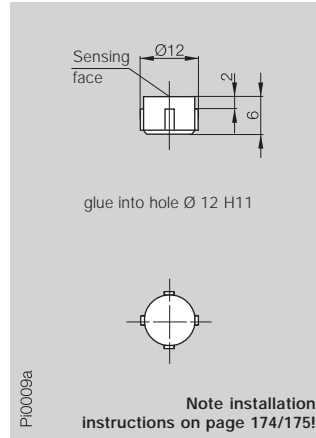
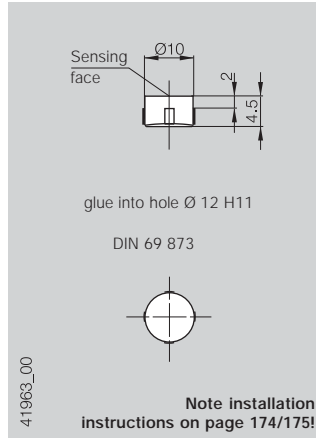
Selection Criteria

Data carriers
Read/write heads
Read/write heads with integrated processor
Processors
Handy Programmer
Handheld Installation
Read/write times, Accessories

Industrial RFID Systems BIS M

Data Carriers Read/Write

Dimensions	Ø 10×4.5	Ø 12×6	Ø 30×1.6
Housing material	PA12	EP	EP
Antenna type	round	round	round
Weight	< 1.5 g	< 1.5 g	< 1.6 g



BIS M Programmable

752 bytes	Ordering code	BIS M-122-01/A**	BIS M-105-01/A**	BIS M-101-01/L**
2000 bytes	Ordering code	BIS M-122-02/A*	BIS M-105-02/A*	
Operating temperature		0...+70 °C	-25...+70 °C	-25...+70 °C
Storage temperature		-25...+85 °C	-25...+85 °C	-40...+85 °C
Protection per IEC 60529		IP 67	IP 67	IP 67

Mounting	Appropriate read/write head with max. read/write distance	flush in steel	non-metal	BIS M-300	0-11 mm	BIS M-300	0-22 mm		
		BIS M-302	0-6 mm	0-9 mm	BIS M-302	0-6 mm	0-9 mm	BIS M-301	0-34 mm
		BIS M-304	0-5 mm	0-7 mm	BIS M-304	0-5 mm	0-7 mm	BIS M-302	0-16 mm
						BIS M-304	0-14 mm	BIS M-304	0-14 mm

Supported standard
* ISO 15693
** ISO 14443

Tightening torque max. 1 Nm

more added value

Simply attach data carrier

A single screw is enough – and the data carrier is firmly attached. Or simply glue it in place

For reliable traceability

All data carriers have a 4-byte unique ID contained in the read/write memory. This number is read-only.

Read/Write Cycles

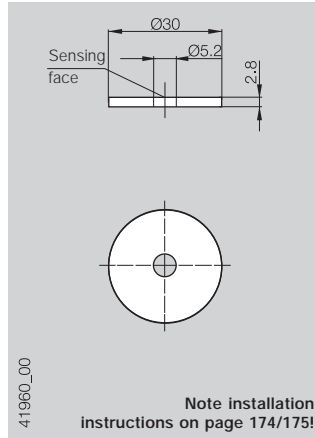
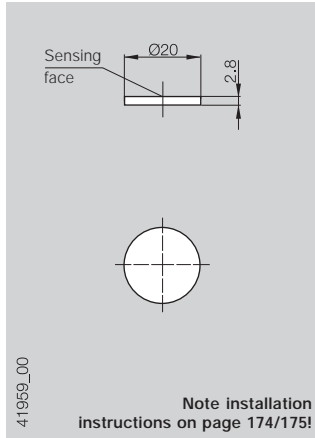
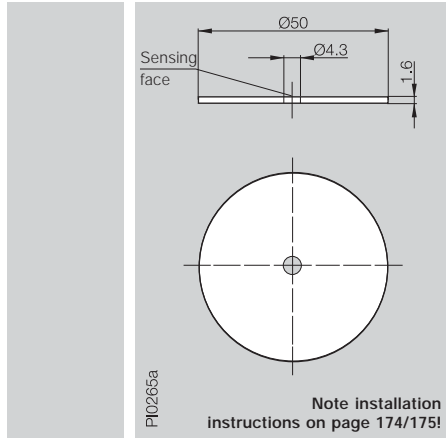
Data carriers	Memory type	Write cycles	Read cycles	Data retention time
752 bytes	EEPROM	100 000	unlimited	10 years
2000 bytes	FRAM	unlimited	unlimited	10 years



Industrial RFID Systems BISM

Data Carriers Read/Write

$\varnothing 50 \times 1.6$	$\varnothing 20 \times 2.5$	$\varnothing 30 \times 2.5$	
EP	PA6	PA6	
round	round	round	
< 2.5 g	< 1.3 g	< 3.0 g	



BISM

BIS M-102-01/L**	BIS M-110-02/L*	BIS M-111-02/L*	
-25...+70 °C	-25...+85 °C	-25...+85 °C	
-40...+85 °C	-40...+90 °C (100 h at 140 °C)	-40...+90 °C (100 h at 140 °C)	
IP 67	IP 67	IP 67	

Range of Applications
Selection Criteria
Data carriers
Read/write heads
Read/write heads with integrated processor
Processors
Handy Programmer
Handheld
Installation
Read/write times,
Accessories

	non-metal		non-metal		non-metal	
BIS M-300	0-32 mm	BIS M-300	0-22 mm	BIS M-300	0-28 mm	
BIS M-301	0-45 mm	BIS M-301	0-32 mm	BIS M-301	0-45 mm	
BIS M-302	0-20 mm	BIS M-302	0-16 mm	BIS M-302	0-20 mm	
BIS M-304	0-18 mm	BIS M-304	0-14 mm			

Tightening torque max. 1 Nm

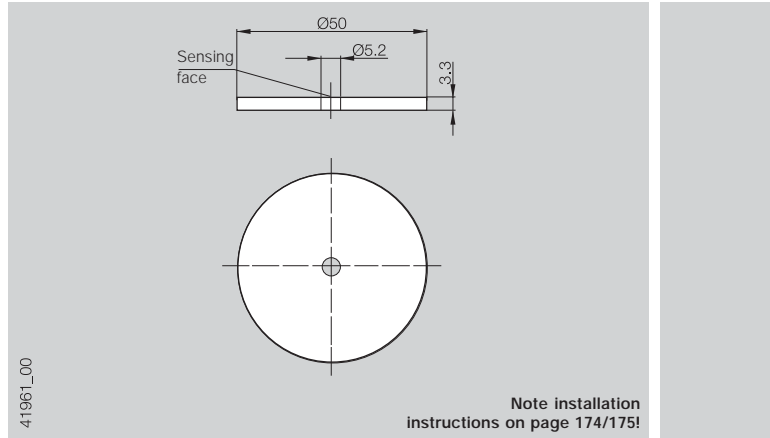
Tightening torque max. 1 Nm



Industrial RFID Systems BIS M

Data Carriers Read/Write

Dimensions	50×3
Housing material	PA6
Antenna type	round
Weight	< 9.5 g



BIS M Programmable

752 bytes	Ordering code	
2000 bytes	Ordering code	BIS M-112-02/L*
Operating temperature		-25...+85 °C
Storage temperature		-40...+90 °C (100 h at 140 °C)
Protection per IEC 60529		IP 67

Mounting

Appropriate read/write head with max. read/write distance	BIS M-300	0-44 mm
	BIS M-301	0-70 mm
	BIS M-302	0-30 mm

non-metal

Supported standard
 * ISO 15693
 ** ISO 14443

more added value

For greatest flexibility

Data carriers in various formats including wafer, cylinder, block or handy credit card format allow for a wide range of applications

For reliable traceability

All data carriers have a 4-byte unique ID contained in the read/write memory. This number is read-only.



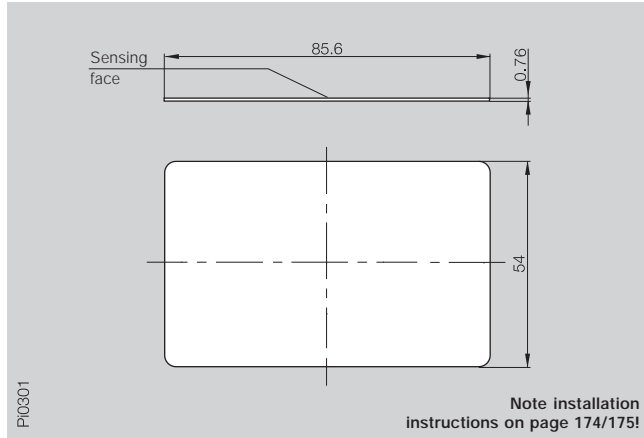
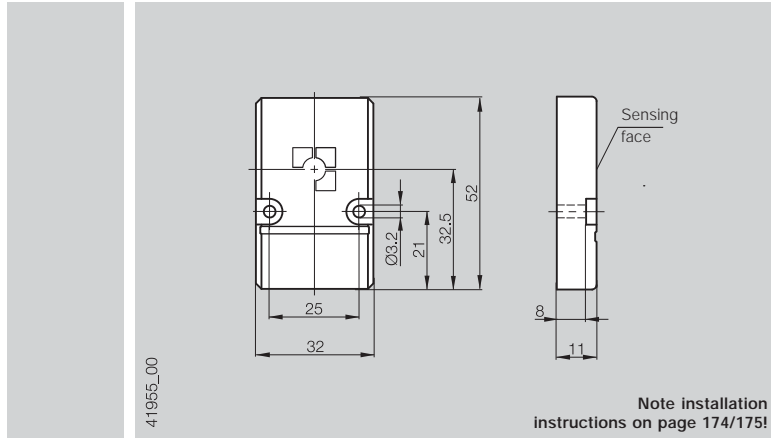
Read/Write Cycles

Data carriers	Memory type	Write cycles	Read cycles	Data retention time
752 bytes	EEPROM	100 000	unlimited	10 years
2000 bytes	FRAM	unlimited	unlimited	10 years

Industrial RFID Systems BIS M

Data Carriers Read/Write

52×32×11	85.6×54×0.76
PBT	PVC
round	round
< 27.0 g	< 5.8 g



BIS M-108-02/L*	BIS M-120-01/L**
-25...+70 °C	-25...+70 °C
-25...+85 °C	-25...+70 °C
IP 67	IP 60

- Range of Applications
- Selection Criteria
- Data carriers**
- Read/write heads
- Read/write heads with integrated processor
- Processors
- Handy Programmer
- Handheld Installation
- Read/write times, Accessories

	flush in steel	non-metal		non-metal
BIS M-300	0-16 mm	0-30 mm		
BIS M-301		0-45 mm	BIS M-301	0-50 mm
BIS M-302	0-12 mm	0-20 mm		
BIS M-304	0-10 mm	0-18 mm		



More solutions for your application. Contact us.

more added value

For maximum data security in all environments – even on metal!

Dimensions	
Housing material	
Antenna type	
Weight	



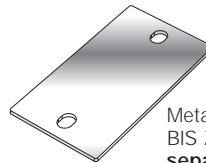
BIS M Programmable

2000 bytes	Ordering code
------------	---------------

Operating temperature	
Storage temperature	
Protection per IEC 60529	

Mounting	
Appropriate read/write head with max. read/write distance	

Supported standard
* ISO 15693



Metal mounting plate 40x22 mm
BIS Z-MP-001 **please order separately!**
(10 to a package) Required if no metal substrate is used!

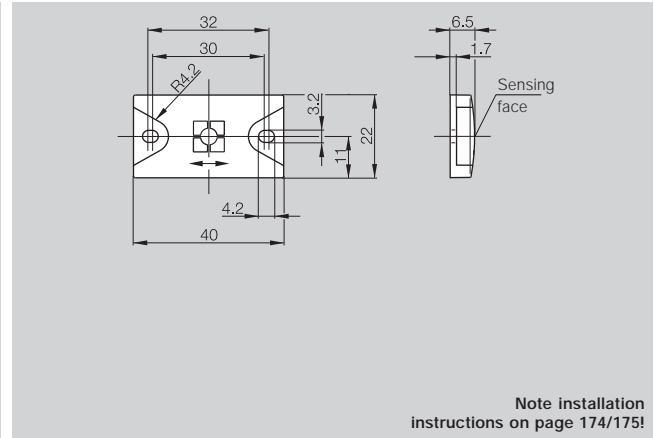
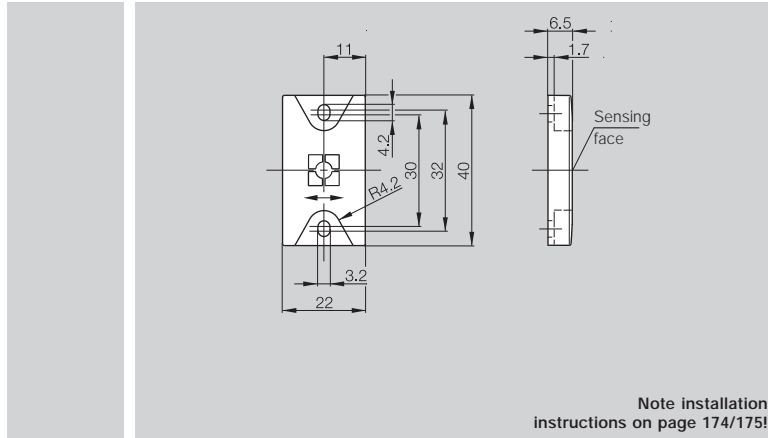
For reliable traceability
All data carriers have a 4-byte unique ID contained in the read/write memory. This number is read-only.

Read/Write Cycles

Data carriers	Memory type	Write cycles	Read cycles	Data retention time
2000 bytes	FRAM	unlimited	unlimited	10 years

40×22×6.5
PPS-GF40
Rod
< 8.0 g

40×22×6.5
PPS-GF40
Rod
< 8.0 g



BIS M-150-02/A*
-25...+70 °C
-25...+130 °C
IP 67

BIS M-151-02/A*
-25...+70 °C
-25...+130 °C
IP 67

- Range of Applications
- Selection Criteria
- Data carriers**
- Read/write heads
- Read/write heads with integrated processor
- Processors
- Handy Programmer
- Handheld Installation
- Read/write times, Accessories

	on metal	
BIS M-351	0-50 mm	

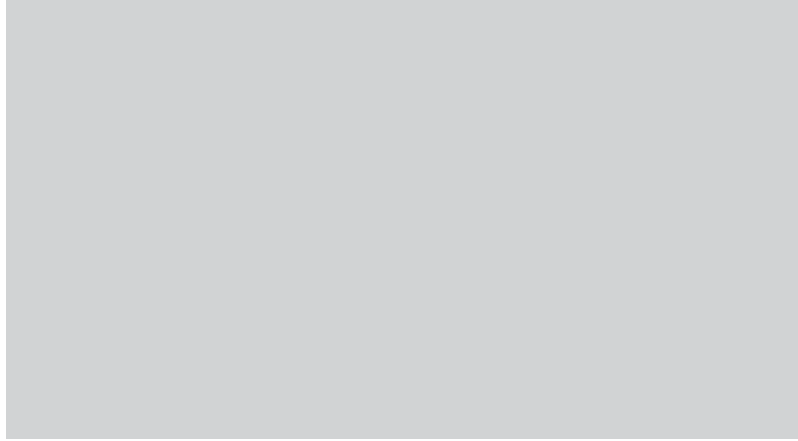
	on metal	
BIS M-351	0-50 mm	



Industrial RFID Systems BIS M

Read/Write Heads

Dimensions _____
 Housing material _____
 Antenna type _____
 Weight _____



Ordering code _____
 Ordering code _____

Mounting in steel _____
 Operating temperature _____
 Storage temperature _____
 Protection per IEC 60529 _____
 Connection to _____
 with connection cable

Appropriate data carrier

BIS M-101-01/L BIS M-102-01/L

Data carrier distance to metal in mm _____
 Data carrier clear zone in mm _____

> 25	> 10	> 5	> 50	> 25	> 10
> 60	> 50	> 50	> 60	> 50	> 50

Write distance in mm _____
 Read distance in mm _____
 Offset in mm _____
 at distance

0 mm	±10	±8	±4	±18	±14	±8
5 mm	±10	±8	±4	±18	±14	±6
9 mm	±10	±7	±2	±16	±12	±4
12 mm	±8	±6		±14	±8	
15 mm	±7	±4		±12	±6	
16 mm	±4			±10	±4	
18 mm				±8	±4	
20 mm				±4		
22 mm						
25 mm						
30 mm						

0-16	0-15	0-10	0-20	0-18	0-10
0-16	0-15	0-10	0-20	0-18	0-10

more added value

Small size – big performance

Broad selection range
 Read/write heads in various form factors offer wide application possibilities. Simply choose according to your application.

* For use only with processor BIS M-407-039-06-S115! see page 167

**Please indicate cable length in ordering code! see page 198

Industrial RFID Systems BIS M

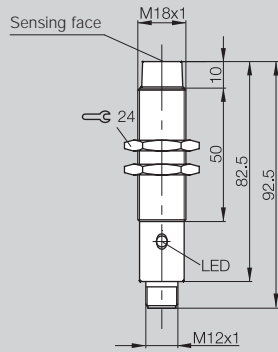
Read/Write Heads

M18

Nickel plated brass

round

52 g



P10292b

Note installation instructions on page 174/175!

BIS M

BIS M-302-001-S115

BIS M-302-003-S115*

non-flush

0...+70 °C

-20...+85 °C

IP 67

Processor

BIS Z-501-PU1-__ / E**, BIS Z-502-PU1-__ / E**

BIS Z-501-PU1-__ / M**, BIS Z-502-PU1-__ / M**

Please order cable separately, see page 198

Range of Applications
Selection Criteria
Data carriers
Read/write heads
Read/write heads with integrated processor
Processors
Handy Programmer
Handheld Installation
Read/write times, Accessories

BIS M-105-01/L BIS M-105-02/A BIS M-122-01/A BIS M-122-02/A BIS M-108-02/L BIS M-110-02/L BIS M-111-02/L BIS M-112-02/A

>10 >0 >10 >0 >10 >0 >10 >0 >25 >0 >25 >10 >5 >25 >10 >5 >50 >25 >20
>60 >0 >60 >0 >60 >0 >60 >0 >60 >0 >80 >50 >50 >80 >50 >50 >150 >90 >70

0-7 0-5 0-9 0-6 0-7 0-5 0-9 0-6 0-20 0-12 0-16 0-12 0-8 0-20 0-12 0-5 0-30 0-22 0-12

0-7 0-5 0-9 0-6 0-7 0-5 0-9 0-6 0-20 0-12 0-16 0-12 0-8 0-20 0-12 0-5 0-30 0-22 0-12

±5 ±4 ±5 ±5 ±4 ±3 ±4 ±3 ±14 ±10 ±8 ±6 ±4 ±12 ±8 ±7 ±20 ±16 ±14

±4 ±3 ±5 ±3.5 ±3 ±2 ±3 ±2 ±12 ±8 ±8 ±6 ±4 ±12 ±8 ±4 ±20 ±16 ±14

±3.5 ±12 ±6 ±6 ±5 ±10 ±6 ±18 ±16 ±10

±10 ±4 ±4 ±3 ±10 ±4 ±18 ±14 ±6

±10 ±4 ±10 ±18 ±14

±7 ±3 ±5 ±16 ±12

±7 ±5 ±16 ±12

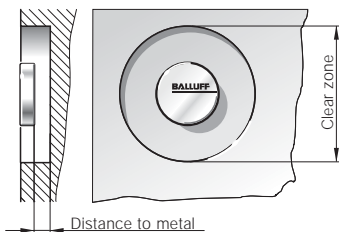
±5 ±5 ±16 ±12

±12 ±8

±12

±8

Installation note for data carriers



Industrial RFID Systems BIS M

Read/Write Heads

more added value

M18 housing with extra small read/write head: just 14mm provides security
For example in tool identification

Dimensions	
Housing material	
Antenna type	
Weight	



Ordering code	
Ordering code	

Mounting in steel	
Operating temperature	
Storage temperature	
Protection per IEC 60529	
Connection to	
with connection cable	

Appropriate data carrier

Data carrier distance to metal in mm	
Data carrier clear zone in mm	

Write distance in mm	
Read distance in mm	
Offset in mm	0 mm
at distance	5 mm
	9 mm
	12 mm
	15 mm
	16 mm
	18 mm

* For use only with processor BIS M-407-039-06-S115! see page 167

**Please indicate cable length in ordering code! see page 198



Industrial RFID Systems BIS M

Read/Write Heads

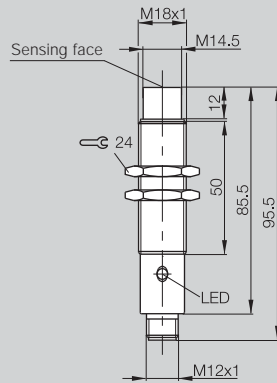
M18

Nickel plated brass

round

52 g

44224_00



Note installation instructions on page 174/175!

BIS M

BIS M-304-001-S115

BIS M-304-003-S115*

non-flush

0...+70 °C

-20...+85 °C

IP 67

Processor

BIS Z-501-PU1-__ / E**, BIS Z-502-PU1-__ / E**

BIS Z-501-PU1-__ / M**, BIS Z-502-PU1-__ / M**

Please order cable separately, see page 198

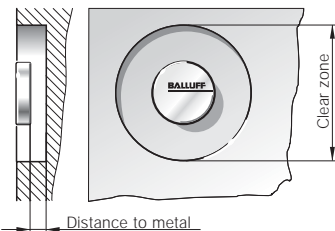
Range of Applications
Selection Criteria
Data carriers
Read/write heads
Read/write heads with integrated processor
Processors
Handy Programmer
Handheld Installation
Read/write times, Accessories

BIS M-101-01/L BIS M-102-01/L BIS M-105-01/A BIS M-105-02/A BIS M-122-01/A BIS M-122-02/A BIS M-108-02/A BIS M-110-02/A

> 25 > 10 > 5 > 50 > 25 > 10 > 10 > 0 > 10 > 0 > 10 > 0 > 10 > 0 > 25 > 0 > 25 > 10 > 5
> 60 > 50 > 50 > 60 > 50 > 50 > 60 > 0 > 60 > 0 > 60 > 0 > 60 > 0 > 60 > 0 > 80 > 50 > 50

0-14	0-10	0-8	0-18	0-15	0-10	0-5	0-5	0-7	0-6	0-5	0-4	0-7	0-5	0-18	0-10	0-14	0-10	0-8
±10	±8	±4	±18	±14	±8	±5	±4	±5	±5	±4	±2	±4	±3	±14	±10	±8	±6	±4
±10	±8	±4	±18	±14	±6	±4	±3	±5	±3.5	±3		±3	±2	±12	±8	±8	±6	±4
±10	±7		±16	±12	±4			±3						±12	±6	±6	±5	
±8			±14	±8										±10		±4		
			±12	±6										±10				
			±10											±7				
			±8											±5				

Installation note for data carriers



more added value

The large diameter of these tubular read/write heads enables generous distances to the object.

Dimensions	
Housing material	
Antenna type	
Weight	



Ordering code	
Ordering code	

Mounting in steel	
Operating temperature	
Storage temperature	
Protection per IEC 60529	
Connection to	
with connection cable	

Appropriate data carrier

Data carrier distance to metal in mm	
Data carrier clear zone in mm	

Write distance in mm	
Read distance in mm	
Offset in mm	0 mm
at distance	5 mm
	9 mm
	12 mm
	15 mm
	16 mm
	18 mm
	20 mm
	22 mm
	25 mm
	30 mm
	32 mm
	35 mm
	40 mm
	43 mm

* For use only with processor
BIS M-407-039-06-S115! see page 167

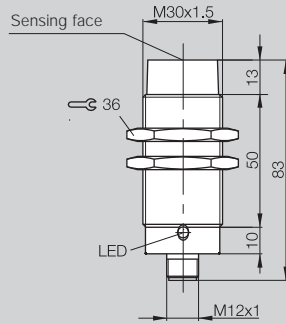
**Please indicate cable length in ordering code!
see page 198

Industrial RFID Systems BIS M

Read/Write Heads

M30

Nickel plated brass
round
100 g



P10293b

Note installation instructions on page 174/175!

BIS M

BIS M-300-001-S115
BIS M-300-003-S115*

non-flush
0...+70 °C
-20...+85 °C
IP 67

Processor

BIS Z-501-PU1-__ / E**, BIS Z-502-PU1-__ / E**
BIS Z-501-PU1-__ / M**, BIS Z-502-PU1-__ / M**
Please order cable separately, see page 198

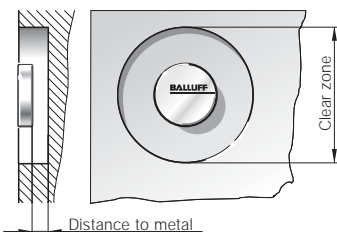
Range of Applications
Selection Criteria
Data carriers
Read/write heads
Read/write heads with integrated processor
Processors
Handy Programmer
Handheld Installation
Read/write times, Accessories

BIS M-101-01/L BIS M-102-01/L BIS M-105-01/A BIS M-105-02/A BIS M-108-02/L BIS M-110-02/L BIS M-111-02/L BIS M-112-02/L

> 25 > 10 > 5 > 50 > 15 > 10 > 20 > 5 > 20 > 5 > 25 > 0 > 25 > 10 > 5 > 25 > 10 > 5 > 50 > 15 > 10
> 100 > 60 > 50 > 150 > 90 > 70 > 100 > 100 > 100 > 100 > 100 > 0 > 100 > 60 > 50 > 100 > 60 > 50 > 150 > 90 > 70

0-22	0-20	0-15	0-32	0-22	0-12	0-9	0-9	0-11	0-11	0-30	0-16	0-22	0-16	0-10	0-28	0-18	0-10	0-44	0-25	0-15
0-22	0-20	0-15	0-32	0-22	0-12	0-9	0-9	0-11	0-11	0-30	0-16	0-22	0-16	0-10	0-28	0-18	0-10	0-44	0-25	0-15
±15	±12	±8	±20	±15	±6	±7	±6	±10	±7	±18	±10	±14	±8	±7	±16	±10	±7	±25	±18	±15
±15	±12	±8	±20	±15	±6	±7	±6	±8	±7	±18	±10	±14	±8	±7	±16	±10	±7	±25	±18	±15
±15	±10	±6	±20	±15	±5	±2	±1	±5	±3	±18	±8	±12	±6	±2	±14	±8	±2	±25	±16	±12
±15	±8	±4	±20	±15	±4			±16	±6	±12	±5	±14	±7		±14	±7		±24	±15	±10
±15	±8	±4	±20	±12				±16	±6	±12	±4	±14	±6		±14	±6		±24	±14	±8
±12	±6		±20	±10				±16	±4	±10	±2	±14	±3		±14	±3		±24	±12	
±12	±6		±20	±8				±16		±10		±14	±2		±14	±2		±24	±12	
±12	±4		±20	±6				±16		±10		±14			±14			±24	±10	
±4			±18	±4				±14		±6		±12			±12			±22	±8	
			±14					±14				±12			±12			±22	±6	
			±10					±10										±22		
			±4															±16		
																		±16		
																		±16		
																		±10		

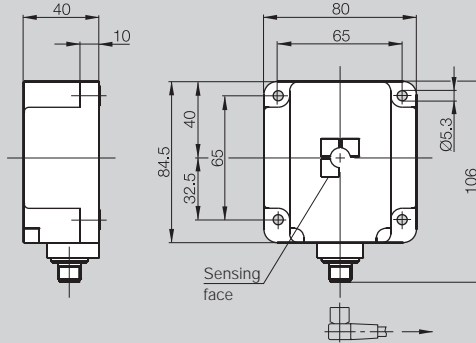
Installation note for data carriers



Industrial RFID Systems BIS M

Read/Write Heads

80×80×40
PBT
round
410 g



P10356

Note installation instructions on page 174/175!

BIS M

BIS M-301-001-S115
BIS M-301-003-S115*

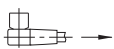
non-flush
0...+70 °C
-20...+85 °C
IP 67

Processor

BIS Z-501-PU1-__ / E**, BIS Z-502-PU1-__ / E**
BIS Z-501-PU1-__ / M**, BIS Z-502-PU1-__ / M**
Please order cable separately, see page 198

Range of Applications
Selection Criteria
Data carriers
Read/write heads
Read/write heads with integrated processor
Processors
Handy Programmer
Handheld Installation
Read/write times, Accessories

BIS M-101-01/L			BIS M-102-01/L			BIS M-108-02/L			BIS M-110-02/L		BIS M-111-02/L		BIS M-112-02/L		BIS M-120-01/L		
> 50	> 10	> 5	> 50	> 25	> 10	> 50	> 20		> 50	> 30		> 50	> 30		> 80		
> 200	> 60	> 50	> 200	> 150	> 150	> 200	> 60		> 200	> 100		> 200	> 100		> 250		
0-34	0-20	0-15	0-45	0-43	0-35	0-45	8-22		0-32	0-20		0-45	0-30		0-70	0-45	0-50
±22	±18	±14	±30	±24	±18	±32	±20		±28	±20		±32	±22		±40	±25	±30
±22	±18	±14	±30	±24	±18	±32	±20		±28	±20		±32	±22		±40	±25	±30
±22	±18	±10	±30	±24	±18	±32	±18		±24	±18		±32	±22		±40	±25	±30
±22	±18	±10	±30	±24	±18	±32	±18		±24	±15		±32	±20		±40	±25	±30
±22	±16	±8	±30	±24	±18	±32	±18		±24	±15		±32	±20		±40	±25	±30
±22	±16	±6	±30	±24	±18	±32	±16		±24	±12		±32	±18		±40	±25	±30
±22	±16	±4	±30	±24	±18	±32	±16		±24	±8		±32	±16		±40	±25	±30
±20	±10		±30	±24	±15	±25	±14		±20			±25	±14		±40	±22	±30
±15	±10		±30	±24	±15	±25			±20			±25	±12		±40	±22	±30
±15	±4		±30	±20	±12	±25			±12			±25	±10		±40	±22	±28
±8			±30	±18	±8	±20			±12			±20			±40	±22	±24
±4			±30	±16	±4	±20						±20			±40	±20	±22
			±24	±10		±20						±20			±40	±20	±18
			±20	±4		±12						±12			±35	±15	±14
			±16			±12						±12			±35	±12	±12
			±4												±35		±4
															±35		
															±30		
															±30		
															±20		



Connector orientation

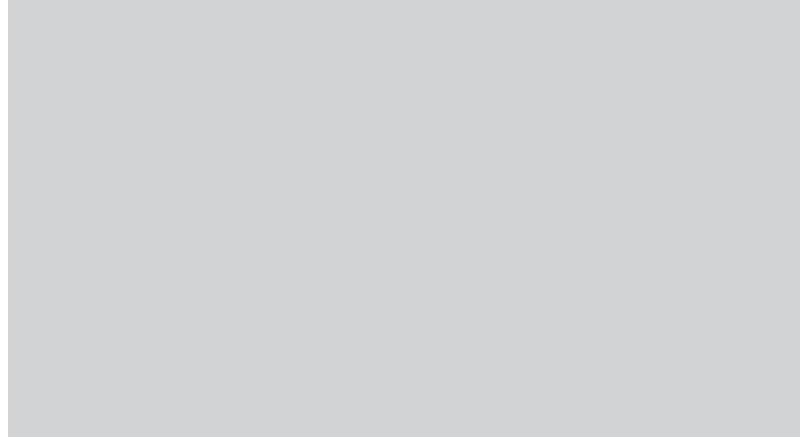
Industrial RFID Systems BIS M

Read/Write Head with Integrated Processor

Dimensions	
Housing material	
Antenna type	
Weight	

more added value

For direct connection to the controller for tight space conditions



Supply voltage	
Current	
Operating temperature	
Storage temperature	
Protection per IEC 60529	
Connection	
Interface type:	
RS232 Balluff Dialog	
Accessories included	
Please order separately	

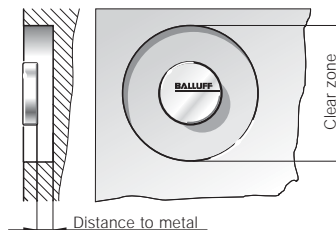
Appropriate data carrier

Data carrier distance to metal in mm	
Data carrier clear zone in mm	
Write distance in mm	
Read distance in mm	
Offset in mm	0 mm
at distance	5 mm
	9 mm
	12 mm
	15 mm
	16 mm
	18 mm
	20 mm
	22 mm
	25 mm

BIS M-101-01/L			BIS M-102-01/L		
> 25	> 10	> 5	> 50	> 25	> 10
> 60	> 50	> 50	> 60	> 50	> 50

0-15	0-12	0-9	0-18	0-18	0-10
0-15	0-12	0-9	0-18	0-18	0-10
±9	±6	±4	±16	±12	±4
±9	±6	±4	±16	±12	±4
±8	±4	±2	±12	±10	±2
±6	±2		±8	±5	
±4			±8	±5	
			±7	±3	
			±6	±2	

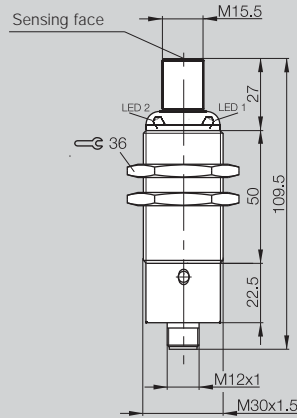
* Please indicate cable length in ordering code! see page 199 Installation note for data carriers



M30x1,5

Nickel plated brass

P10342a



Note installation instructions on page 174/175!



24 V DC +10 %/-20 % including ripple
 ≤ 50 mA no-load
 0...+70 °C
 -20...+85 °C
 IP 67
 1 connector, round 8-pin

BIS M-400-007-002-00-S115

Configuration software

BKS S115-PU-_* or BKS S116-PU-_*

Range of Applications
 Selection Criteria
 Data carriers
 Read/write heads
Read/write heads with integrated processor
 Processors
 Handy Programmer
 Handheld Installation
 Read/write times, Accessories

BIS M-105-01/A	BIS M-105-02/A	BIS M-122-01/A	BIS M-122-02/A	BIS M-108-02/L	BIS M-110-02/L	BIS M-111-02/L	BIS M-112-02/L
>10 >0	>10 >0	>10 >0	>10 >0	>25 >0	>25 >15 >5	>25 >10 >5	>50 >25 >20
>60 >0	>60 >0	>60 >0	>60 >0	>60 >0	>80 >50 >50	>80 >50 >50	>150 >90 >70
0-6 0-5	0-9 0-5	0-5 0-4	0-6 0-5	0-20 0-12	0-15 0-10 0-6	0-20 0-12 0-5	0-28 0-18 0-10
0-6 0-5	0-9 0-5	0-5 0-4	0-6 0-5	0-20 0-12	0-15 0-10 0-6	0-20 0-12 0-5	0-28 0-18 0-10
±5 ±4	±6 ±4	±4 ±3	±4 ±3	±14 ±10	±8 ±6 ±4	±12 ±8 ±7	±20 ±14 ±14
±4 ±2	±6 ±2	±3	±3 ±2	±14 ±8	±8 ±6 ±4	±12 ±8 ±4	±20 ±14 ±14
	±2			±12 ±6	±6 ±5	±10 ±6	±18 ±14 ±10
				±10 ±4	±4	±10 ±4	±18 ±12 ±6
				±10	±4	±10	±18 ±12
				±7		±7	±16 ±10
				±7		±7	±16 ±8
				±7		±7	±16
							±12
							±12



Industrial RFID Systems BIS M

Read/Write Head with Integrated Processor

more added value

For longer ranges
 Integrated version of read/write head with processor in large form factor. For direct connection to the controller

Dimensions	
Housing material	
Antenna type	
Weight	



Supply voltage	
Current	
Operating temperature	
Storage temperature	
Protection per IEC 60529	
Connection	
Interface type:	
RS232 Balluff Dialog	
Accessories included	
Please order separately	

Appropriate data carrier

Data carrier distance to metal in mm	
Data carrier clear zone in mm	

Write distance in mm	
Read distance in mm	
Offset in mm	0 mm
at distance	5 mm
	9 mm
	12 mm
	15 mm
	16 mm
	18 mm
	20 mm
	22 mm
	25 mm
	30 mm
	32 mm
	35 mm

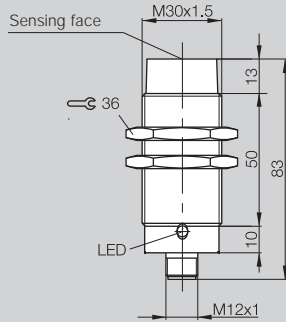
* Please indicate cable length in ordering code! see page 199



M30x1,5

Nickel plated brass

100 g



P10303a

Note installation instructions on page 174/175!



24 V DC +10 %/-20 % including ripple

≤ 50 mA no-load

0...+70 °C

-20...+85 °C

IP 67

1 connector, round 8-pin

BIS M-400-007-001-00-S115

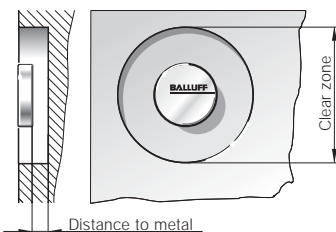
Configuration software

BKS S115-PU-_* or BKS S116-PU-_*

Range of Applications
Selection Criteria
Data carriers
Read/write heads
Read/write heads with integrated processor
Processors
Handy Programmer
Handheld Installation
Read/write times, Accessories

BIS M-101-01/L	BIS M-102-01/L	BIS M-105-01/A	BIS M-105-02/A	BIS M-108-02/L	BIS M-110-02/L	BIS M-111-02/L	BIS M-112-02/L
> 25 > 10 > 5	> 50 > 15 > 10	> 20 > 5	> 20 > 5	> 25 > 0	> 25 > 10 > 5	> 25 > 10 > 5	> 50 > 15 > 10
> 100 > 60 > 50	> 150 > 90 > 70	> 100 > 100	> 100 > 100	> 100 > 0	> 100 > 60 > 50	> 100 > 60 > 50	> 150 > 90 > 70
0-20 0-15 0-12	0-28 0-20 0-12	0-7 0-6	0-11 0-7	0-28 0-16	0-20 0-15 0-8	0-28 0-18 0-10	0-38 0-25 0-15
0-20 0-15 0-12	0-28 0-20 0-12	0-7 0-6	0-11 0-7	0-28 0-16	0-20 0-15 0-8	0-28 0-18 0-10	0-38 0-25 0-15
±14 ±10 ±6	±20 ±15 ±6	±7 ±6	±9 ±6	±16 ±10	±12 ±8 ±6	±16 ±10 ±7	±22 ±16 ±13
±14 ±10 ±6	±20 ±15 ±6	±7 ±6	±8 ±6	±16 ±10	±12 ±8 ±5	±16 ±10 ±7	±22 ±16 ±13
±14 ±8 ±4	±20 ±15 ±3		±5	±14 ±8	±10 ±6	±14 ±8 ±2	±22 ±14 ±10
±10 ±4 ±2	±20 ±13 ±2			±14 ±6	±8 ±4	±14 ±7	±20 ±13 ±8
±10 ±2	±20 ±10			±14 ±6	±8 ±2	±14 ±6	±20 ±12 ±6
±8	±18 ±3			±14 ±4	±5	±14 ±3	±20 ±10
±6	±16			±14	±5	±14 ±2	±20 ±10
±5	±15			±14	±5	±14	±20 ±8
	±15			±12		±12	±20 ±6
	±10			±12		±12	±20 ±4
							±16
							±10
							±10

Installation note for data carriers



Industrial RFID Systems BIS M

Read/Write Head with Integrated Processor

more added value

For tight mounting spaces
 The remote electronics of the integrated version creates extra installation space. For direct connection to the controller

Dimensions	
Housing material	
Antenna type	
Weight	

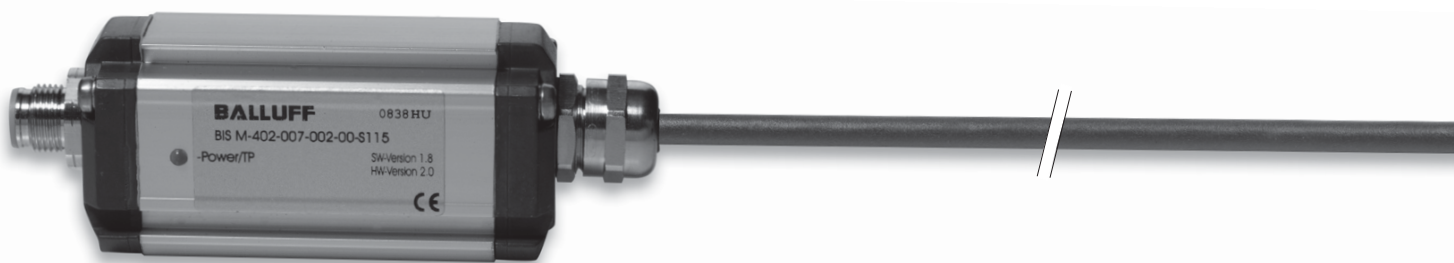


Supply voltage	
Current	
Operating temperature	
Storage temperature	
Protection per IEC 60529	
Connection	
Interface type:	
RS232 Balluff Dialog	
Accessories included	
Please order separately	

Appropriate data carrier

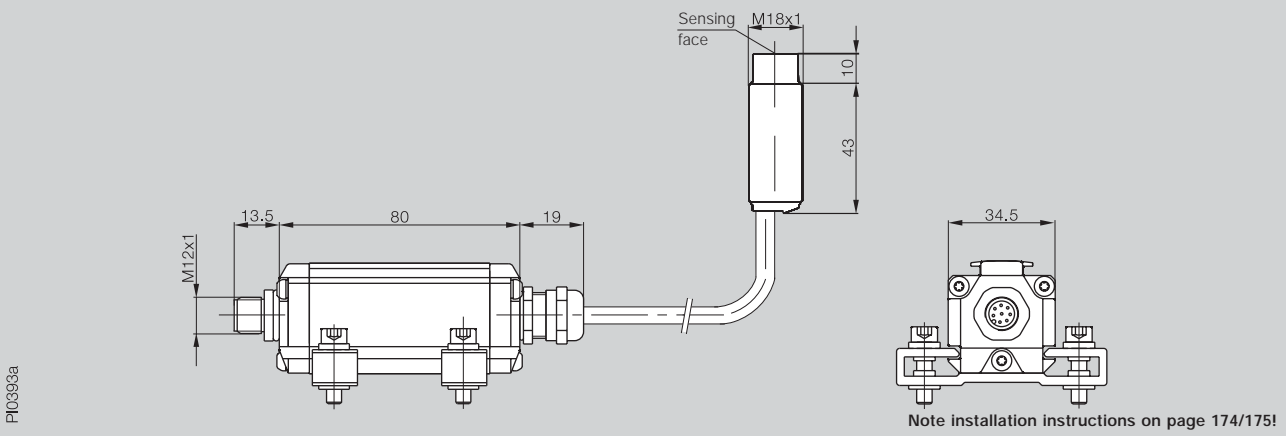
Data carrier distance to metal in mm	
Data carrier clear zone in mm	
Write distance in mm	
Read distance in mm	
Offset in mm	0 mm
at distance	5 mm

* Please indicate cable length in ordering code! see page 199



M18x1,5

Nickel plated brass
round
220 g



BIS M

24 V DC +10 %/-20 % including ripple
≤ 50 mA no-load
0...+70 °C
-20...+85 °C
IP 67
1 connector, round 8-pin

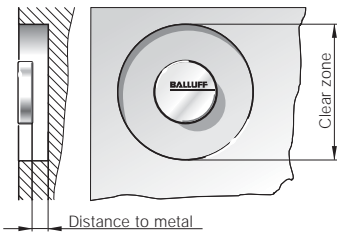
BIS M-402-007-002-00-S115

Configuration software
BKS S115-PU-_*

Range of Applications
Selection Criteria
Data carriers
Read/write heads
Read/write heads with integrated processor
Processors
Handy Programmer
Handheld Installation
Read/write times, Accessories

	BIS M-105-01/L		BIS M-105-02/A		BIS M-122-01/A		BIS M-122-02/A		BIS M-110-02/A	
	> 10	> 0	> 10	> 0	> 10	> 0	> 10	> 0	> 25	> 0
	> 60	> 0	> 60	> 0	> 60	> 0	> 60	> 0	> 80	> 0
	0-5	0-3	0-5	0-3	0-5	0-2	0-5	0-2	0-8	0-2
	0-5	0-3	0-5	0-3	0-5	0-2	0-5	0-2	0-8	0-2
	±3	±2	±3	±2	±3	±2	±3	±2	±5	±2
	±2		±2		±2		±2		±5	

Installation note for data carriers



Industrial RFID Systems BIS M

Read/Write Head with Integrated Processor

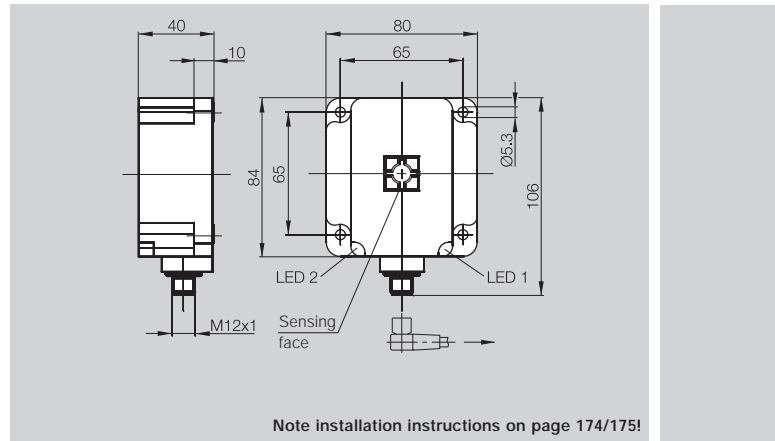
FERROIDENT

more added value

When the available space requires a flat housing, this version is the ideal choice. For direct connection to the controller

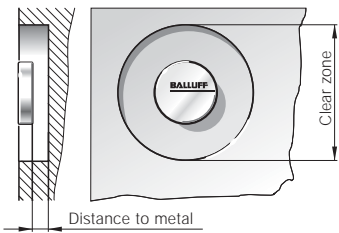
Ferroident
Read/write head with rod type antenna
Simply use the arrows for alignment. For fast positioning

Dimensions	80×84,5×40
Housing material	PBT and ASA
Antenna type	Rod
Weight	250 g



Supply voltage	24 V DC +10 %/-20 % including ripple
Current	≤ 50 mA no-load
Operating temperature	0...+70 °C
Storage temperature	-20...+85 °C
Protection per IEC 60529	IP 67
Connection	1 connector, round 8-pin
Interface type:	
RS232 Balluff Dialog	BIS M-451-007-001-00-S115
Accessories included	Configuration software
Please order separately	BKS S115-PU-_* or BKS S116-PU-_*

Installation note for data carriers



Appropriate data carrier	BIS M-150-02/A	BIS M-151-02/A
Data carrier distance to metal in mm	> 200	> 200
Data carrier clear zone in mm	> 200	> 200
Metallic mounting surface 40×22	0-52	0-52
Metallic mounting surface ≥ 200×200	0-65	0-65
Write distance in mm		
Read distance in mm		
Offset in mm at distance		
0 mm	±25 ±26	±25 ±26
5 mm	±25 ±26	±25 ±26
9 mm	±25 ±25	±25 ±25
12 mm	±25 ±25	±25 ±25
15 mm	±25 ±25	±25 ±25
16 mm	±25 ±25	±25 ±25
18 mm	±25 ±25	±25 ±25
20 mm	±25 ±25	±25 ±25
22 mm	±25 ±25	±25 ±25
25 mm	±25 ±25	±25 ±25
30 mm	±25 ±25	±25 ±25
32 mm	±25 ±25	±25 ±25
35 mm	±25 ±25	±25 ±25
40 mm	±20 ±25	±20 ±25
43 mm		
45 mm		
50 mm		
52 mm	±8 ±25	±8 ±25
60 mm	±10	±10

* Please indicate cable length in ordering code! see page 199

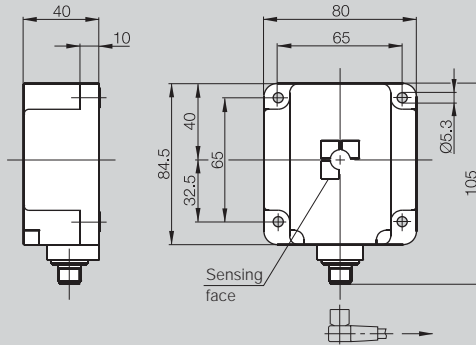


80×80×40

PBT

round

410 g



P10360

Note installation instructions on page 174/175!

BIS M

24 V DC +10 %/-20 % including ripple

≤ 50 mA no-load

0...+70 °C

-20...+85 °C

IP 67

1 connector, round 8-pin

BIS M-401-007-001-00-S115

Configuration software

BKS S115-PU-_* or BKS S116-PU-_*

Range of Applications
Selection Criteria
Data carriers
Read/write heads
Read/write heads with integrated processor
Processors
Handy Programmer
Handheld Installation
Read/write times, Accessories

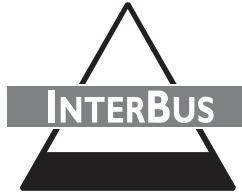
BIS M-101-01/L			BIS M-102-01/L			BIS M-120-01/L			BIS M-108-02/L			BIS M-110-02/L			BIS M-111-02/L			BIS M-112-02/L		
> 50	> 25	> 10	> 50	> 25	> 10	> 80			> 50	> 20		> 50	> 30		> 50	> 30		> 50	> 30	
> 200	> 150	> 150	> 200	> 150	> 150	> 250			> 200	> 60		> 200	> 100		> 200	> 100		> 200	> 100	
0-28	0-25	0-20	0-45	0-40	0-34	0-50			0-40	0-18		0-30	0-18		0-40	0-25		0-60	0-25	
±22	±18	±12	±30	±24	±16	±30			±30	±16		±25	±18		±30	±20		±35	±25	
±22	±18	±12	±30	±24	±16	±30			±30	±16		±25	±18		±30	±20		±35	±25	
±22	±18	±10	±30	±24	±16	±30			±30	±16		±25	±15		±30	±20		±35	±25	
±22	±16	±8	±30	±24	±14	±30			±25	±16		±20	±15		±25	±20		±35	±25	
±22	±16	±8	±30	±24	±14	±30			±25	±16		±20	±12		±25	±18		±35	±25	
±20	±15	±6	±30	±20	±12	±30			±25	±16		±20	±12		±25	±18		±35	±25	
±20	±13	±4	±30	±20	±10	±30			±25	±14		±20	±8		±25	±16		±35	±25	
±20	±12	±2	±30	±20	±10	±30			±25	±14		±20	±8		±25	±16		±35	±25	
±16	±8		±24	±18	±8	±30			±20			±15			±20	±12		±35	±22	
±12	±4		±24	±18	±8	±30			±20			±15			±20	±10		±35	±22	
			±24	±15	±6	±28			±20			±10			±20			±35	±22	
			±20	±12	±4	±24			±15			±10			±15			±35	±22	
			±20	±10		±22			±15						±15			±35	±20	
			±15	±5		±18			±15						±15			±35		
			±8			±14												±25		
			±5			±12												±25		
						±4												±25		
																		±25		
																		±25		

Industrial RFID Systems BIS M

Processors

Cost-effective identification – operate 2 Read/Write Heads simultaneously

- Data width on the bus, 16 bytes
- Service friendly, all parameter data are stored in an exchangeable memory
- Accepts all read/write heads



Description	
Function	
Housing material	

Supply voltage	
Ripple	
Current	
Operating temperature	
Storage temperature	
Protection per IEC 60529	
Read/write head ports	
Service interface RS232	
Connection	

Connection for	
Interface type/Software:	
INTERBUS Remote node	
INTERBUS Remote node with 2 Mbaud	
INTERBUS Installation bus	
INTERBUS Installation bus with 2 Mbaud	

Please order accessories separately

The **BIS M-6001 processor** features a small form factor and flexible interface options for use wherever ambient conditions require IP 65 protection.

These models are ideal also when no aggressive media are used with PS plastic.

Small, compact, flexible and cost-effective

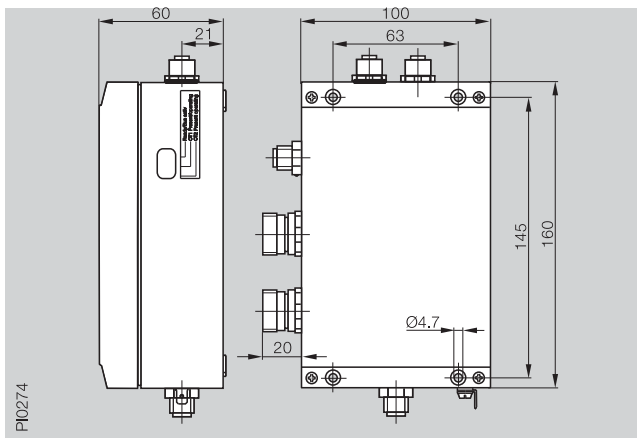
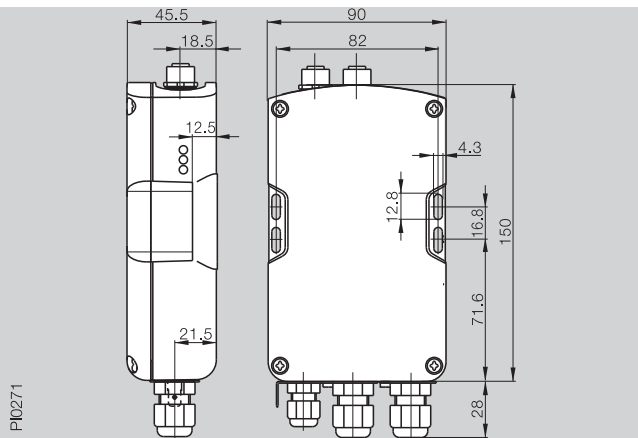


BIS M-6001-__-050-03-KL2

read/write
ABS

BIS M-6021-__-050-03-ST8

read/write
AISI 12



BIS M

24 V DC $\pm 20\%$

$\leq 10\%$

≤ 400 mA

0...+60 °C

0...+60 °C

IP 65

2 external

yes

Terminals 1 x Pg 9

Terminals 2 x Pg 11

2 read/write heads BIS M-3__

2 connectors round 9-pin

2 connectors round 5-pin

2 read/write heads BIS M-3__

BIS M-6001-023-050-03-KL2

BIS M-6021-023-050-03-ST9

BIS M-6021-023-050-03-ST9M

BIS M-6021-023-050-03-ST8

BIS M-6021-023-050-03-ST8M

BKS 23-CS-00

For connectors see page 200

Range of Applications

Selection Criteria

Data carriers

Read/write heads

Read/write heads with integrated processor

Processors

Handy Programmer

Handheld

Installation

Read/write times,

Accessories

The rugged **BIS M-6021** with the die-cast aluminum housing is a small, flexible processor which is available with various interface options.

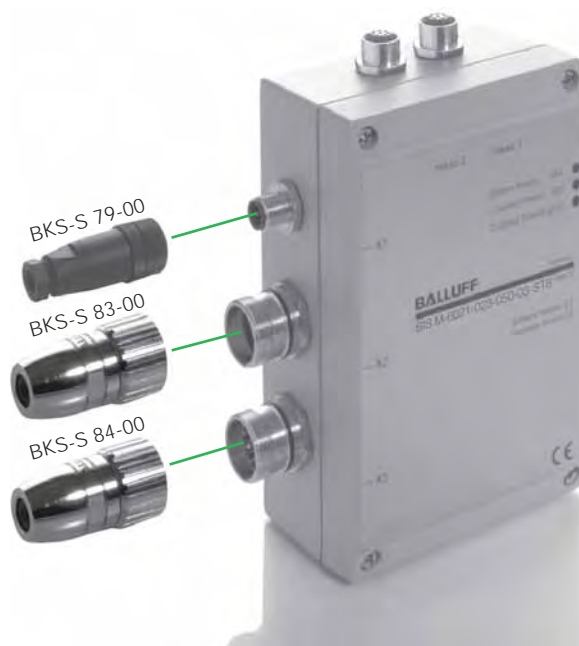
Great mechanical stability and high chemical resistance.

Rugged, small and flexible



**Threaded cover
BKS 23-CS-00**

for M23 connector
IP-65 protective cover for unused connectors!



Industrial RFID Systems BIS M

Processors

Cost-effective identification – operate 2 read/write heads simultaneously

- Selectable division of the data width on the PROFIBUS-DP, 4 to 128 bytes
- Free assigning of the data width for each read/write head
- Optimum data speed, internal cycle time is shorter than the BUS activation time
- Service friendly, all parameter data are stored in an exchangeable memory
- BUS address selectable with switches
- Accepts all read/write heads



Description	
Function	
Housing material	

Supply voltage	
Ripple	
Current	
Operating temperature	
Storage temperature	
Protection per IEC 60529	
Read/write head ports	
Service interface RS232	
Connection	
Connection for	
Interface type/Software:	
PROFIBUS-DP	
Accessories included	
Please order accessories separately	

The **BIS M-6002 processor** features a small form factor and flexible interface options for use wherever ambient conditions require IP 65 protection.

These models are ideal also when no aggressive media are used with PS plastic.

Small, compact, flexible and cost-effective

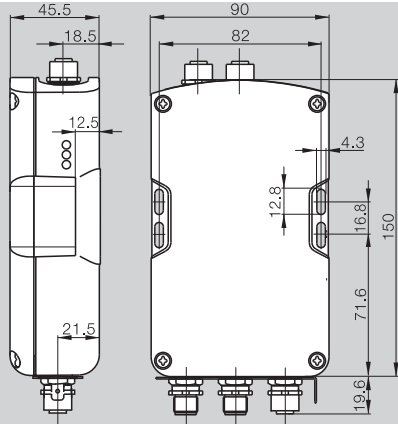


BIS M-6002-019-050-03-ST11

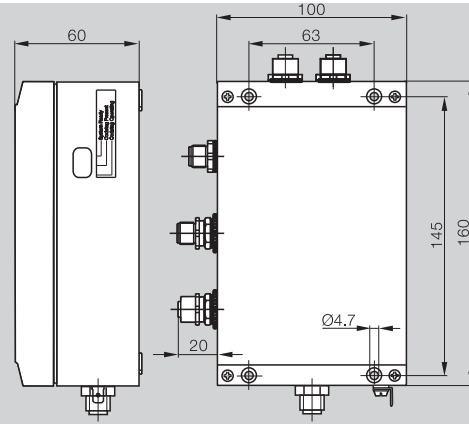
read/write
ABS

BIS M-6022-019-050-03-ST14

read/write
AISI 12



PI0272



PI0270



24 V DC ±20 %
≤ 10 %
≤ 400 mA
0...+60 °C
0...+60 °C
IP 65
2 external
yes

2 connectors round 5-pin, B-coded
1 connector round 5-pin
2 read/write heads BIS M-3_ _

2 connectors round 5-pin, B-coded,
2 connectors round 5-pin
2 read/write heads BIS M-3_ _

BIS M-6002-019-050-03-ST11
Software GSD file
BKS 12-CS-01
For connectors see page 200/201

BIS M-6022-019-050-03-ST14
Software GSD file
BKS 12-CS-01
For connectors see page 200/201

Range of Applications
Selection Criteria
Data carriers
Read/write heads
Read/write heads with integrated processor
Processors
Handy Programmer
Handheld Installation
Read/write times, Accessories

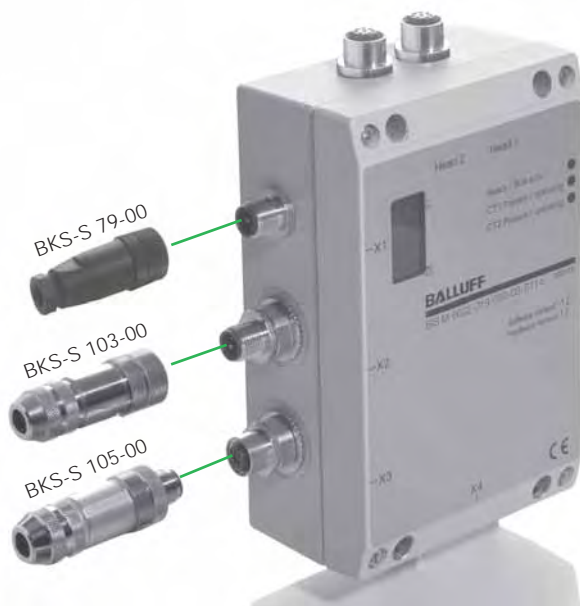
The **rugged BIS M-6022** with the die-cast aluminum housing is a small, flexible processor which is available with various interface options.

Great mechanical stability and high chemical resistance.

Rugged, small and flexible



Threaded cover
BKS 12-CS-01
coded for M12 B connector type



Industrial RFID Systems BIS M

Processors

Cost-effective identification – operate 2 read/write heads simultaneously

- Freely selectable buffer size between 0 and 256 bytes
- Service friendly, all parameter data are stored in an exchangeable memory
- Accepts all read/write heads



Description	
Function	
Housing material	



Supply voltage	
Ripple	
Current	
Operating temperature	
Storage temperature	
Protection per IEC 60529	
Read/write head ports	
Service interface RS232	
Connection	
Connection for	
Interface type/Software:	
DeviceNet	
Accessories included	
Please order accessories separately	

The **BIS M-6003 processor** features a small form factor and flexible interface options for use wherever ambient conditions require IP 65 protection.

These models are ideal also when no aggressive media are used with PS plastic.

Small, compact, flexible and cost-effective

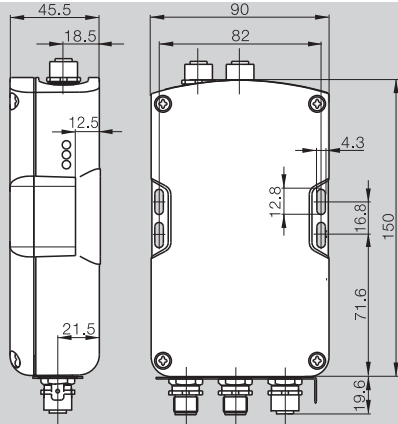


BIS M-6003-_-_-650-03-ST12

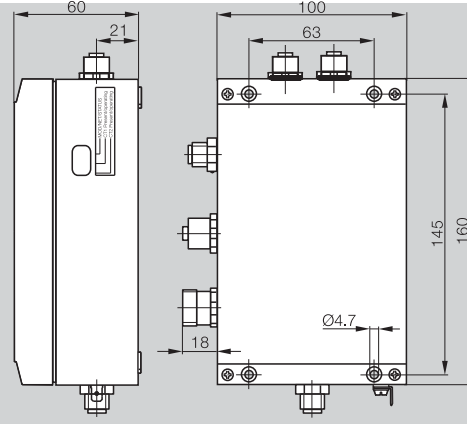
read/write
ABS

BIS M-6023-_-_-050-03-ST13

read/write
AISI 12



PI0273



PI0275



24 V DC ±20 %

≤ 10 %

≤ 400 mA

0...+50 °C

0...+50 °C

IP 65

2 external

yes

3 connectors round 5-pin,
2 read/write heads BIS M-3_ _

4 connectors round 5-pin
2 read/write heads BIS M-3_ _

BIS M-6003-025-050-03-ST12

Software EDS file

For connectors see page 200/204/205

BIS M-6023-025-050-03-ST13

Software EDS file

For connectors see page 200/203

- Range of Applications
- Selection Criteria
- Data carriers
- Read/write heads
- Read/write heads with integrated processor
- Processors**
- Handy Programmer
- Handheld Installation
- Read/write times, Accessories

The **rugged BIS M-6023** with the die-cast aluminum housing is a small, flexible processor which is available with various interface options.

Great mechanical stability and high chemical resistance.

Rugged, small and flexible

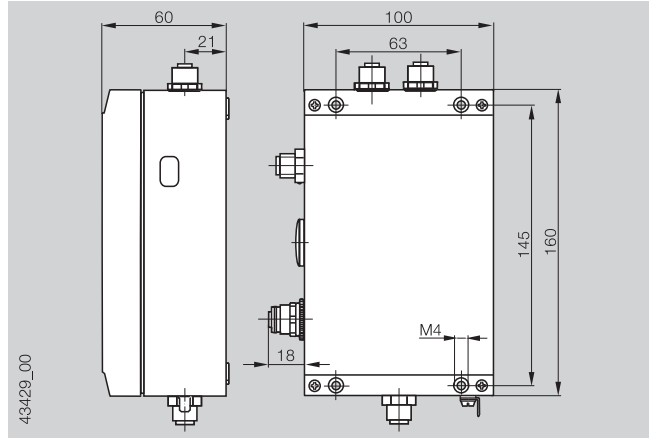


Industrial RFID Systems BIS M

Processors

EtherNet/IP™

Description	BIS M-6026-034-050-06-ST19
Function	read/write



Supply voltage	24 V DC ±20 %
Ripple	≤ 10 %
Current	≤ 400 mA
Operating temperature	0...+60 °C
Storage temperature	0...+60 °C
Protection per IEC 60529	IP 65
Read/write head ports	2 external
Service interface RS232	yes
Connection	Connector round 4-polig, D-coded 1 connector 5-pin 1 connector 4-pin
Connection for	2 read/write heads BIS M-3_ _
Interface type/Software:	
EtherNet/IP	BIS M-6026-034-050-06-ST19
Accessories included	Configuration software
Please order accessories separately	For connectors see page 200/202

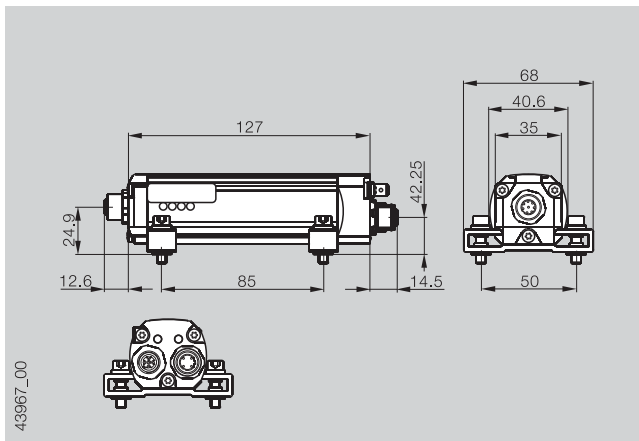
Cost-effective identification – operate 2 read/write heads simultaneously!

more added value

Rugged processor for EtherNet/IP networks



Description	BIS M-407-039-003-06-S115
Function	read/write



Supply voltage	24 V DC $\pm 20\%$
Ripple	$\leq 10\%$
Current	$\leq 150\text{ mA}$
Operating temperature	0...+60 °C
Storage temperature	0...+60 °C
Protection per IEC 60529	IP 67
Read/write head ports	1 external
Service interface RS232	no
Connection	1 connector round 4-pin, D-coded 1 connector round 5-pin
Connection for	1 read/write head BIS M-3__-003-__
Interface type/Software:	
Ethernet TCP/IP	BIS M-407-039-003-06-S115
Accessories included	Configuration software
Please order accessories separately	For connectors see page 200/202

Range of Applications
Selection Criteria
Data carriers
Read/write heads
Read/write heads with integrated processor
Processors
Handy Programmer
Handheld
Installation
Read/write times,
Accessories

more added value

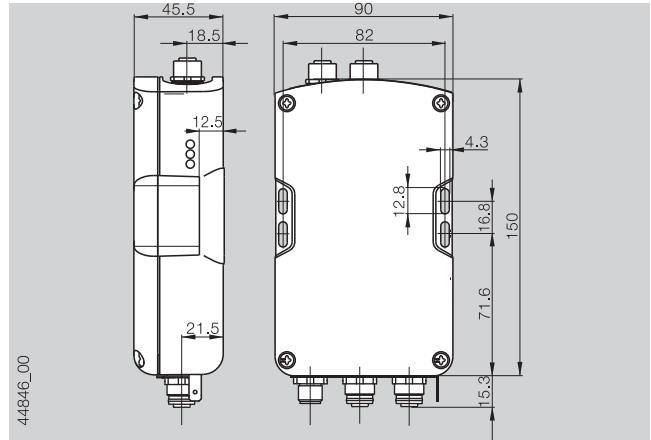
Small and compact –
for one read head
Easy to connect to any
PC-based controller!



For use only with these read heads

- BIS M-300-003-S115
- BIS M-301-003-S115
- BIS M-302-003-S115
- BIS M-304-003-S115
- see page 145/147/149/151

Description	BIS M-6008-_-_-650-06-ST23
Function	read/write
Housing material	ABS



Supply voltage	24 V DC $\pm 10\%$
Ripple	$\leq 10\%$
Current	≤ 400 mA
Operating temperature	0...+60 °C
Storage temperature	0...+60 °C
Protection per IEC 60529	IP 65
Read/write head ports	2 external
Service interface RS232	yes internal
Connection	Connector round 5-pin, A-coded 2 connectors 4-pin, D-coded
Connection for	Read/write heads BIS M-3_ _ Exception BIS C-350 and BIS C-355
Interface type/Software:	
PROFINET RT with IRT-capable 2-PORT switch	BIS M-6008-048-650-06-ST23
Accessories included	Configuration software
Please order accessories separately	For connectors see page 200/202

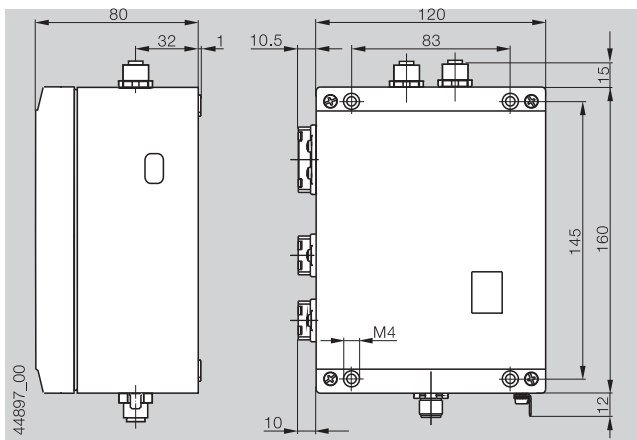
**Cost-effective identification –
operate 2 read/write heads simultaneously!**



Please order accessories separately!
Adapter cable for PROFINET from M12 D-coded to coupling RJ45/RJ45
BIS C-526-PVC-00.5
page 202



Description	BIS M-6028-048-050-06-ST22
Function	read/write
Housing material	Al



BIS M

Supply voltage	24 V DC $\pm 10\%$
Ripple	$\leq 10\%$
Current	≤ 400 mA
Operating temperature	0...+60 °C
Storage temperature	0...+60 °C
Protection per IEC 60529	IP 65
Read/write head ports	2 external
Service interface RS232	yes
Connection	1 connector 5-pin, Push-pull RJ45 AIDA 2 connectors 8-pin, Push-pull RJ45 AIDA Connector round 4-pin
Connection for	Read/write heads BIS M-3_ Exception BIS C-350 and BIS C-355
Interface type/Software:	
PROFINET RT with IRT-capable 2-PORT switch	BIS M-6028-048-050-06-ST22
Accessories included	Configuration software

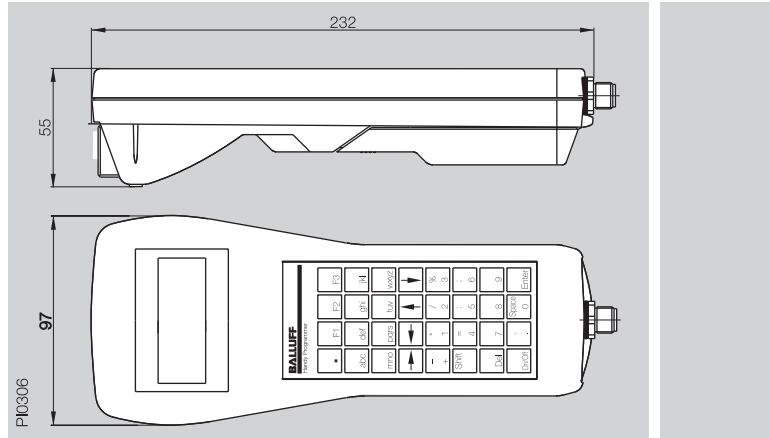
Range of Applications
Selection Criteria
Data carriers
Read/write heads
Read/write heads with integrated processor
Processors
Handy Programmer
Handheld
Installation
Read/write times,
Accessories



Industrial RFID Systems BIS M

Handy Programmer

Function	read/write
Housing material	ABS



Ordering code	BIS M-810-0-003
Keyboard	32 buttons, alphanumeric
Display	LCD display, 20 characters/4 lines
Current	2.4 V rechargeable battery pack NiMH
Capacity	1650 mA/h
Interface	RS232/Balluff Dialog
Operating temperature	0...+50 °C
Protection per DIN 40050	IP 40
Read/write head option	integrated
Accessories included	Carrying case
Appropriate data carrier	BIS M-101 BIS M-102 BIS M-105 BIS M-108 BIS M-110 BIS M-111 BIS M-112 BIS M-120
Please order additional accessories separately	Charging power supply

For maximum flexibility

The Handy Programmer with read/write function makes you mobile and independent. Ideal for example in maintenance work. Needless to say, the handy programmer is fitted with an interface for connection to a PC.



Rechargeable battery 1500 mAh 125997

Charger BIS C-701-A

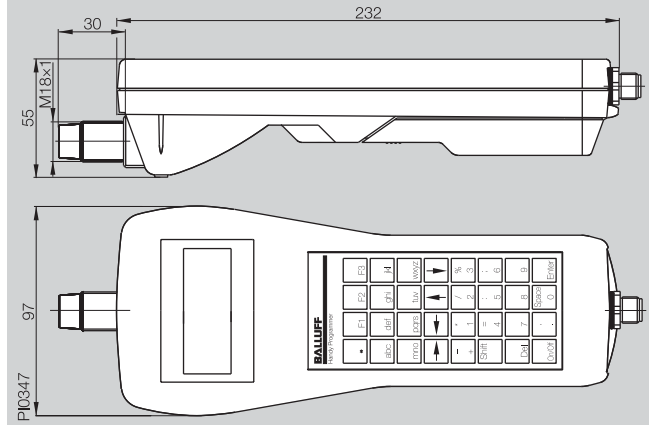
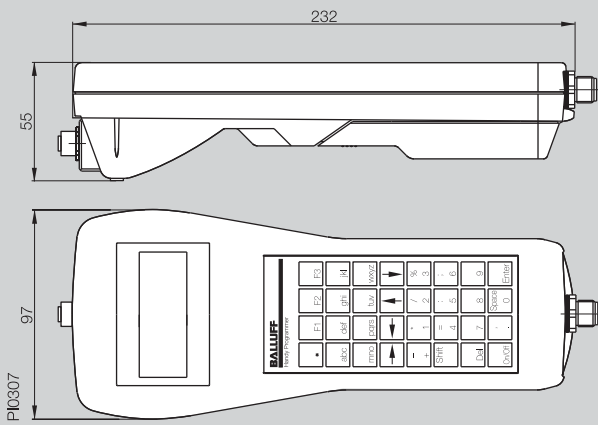
Charging cradle with charging power supply BIS C-702-A

Industrial RFID Systems BIS M

Handy Programmer

read/write
ABS

read/write
ABS



BIS M-811

BIS M-812

Range of Applications
Selection Criteria
Data carriers
Read/write heads
Read/write heads with integrated processor
Processors
Handy Programmer
Handheld
Installation
Read/write times,
Accessories

32 buttons, alphanumeric
LCD display, 20 characters/4 lines
2.4 V rechargeable battery pack NiMH
1650 mA/h
RS232/Balluff Dialog
0...+50 °C
IP 40
via panel connector from standard BIS M-3... read/write heads
Carrying case
BIS M-101 mit BIS M-300.../BIS M-302...
BIS M-102 mit BIS M-300.../BIS M-302...
BIS M-105 mit BIS M-300.../BIS M-302...
BIS M-120 mit BIS M-301...

32 buttons, alphanumeric
LCD display, 20 characters/4 lines
2.4 V rechargeable battery pack NiMH
1650 mA/h
RS232/Balluff Dialog
0...+50 °C
IP 40
M18 integrated
Carrying case
BIS M-101
BIS M-102
BIS M-105
BIS M-108
BIS M-110
BIS M-111
BIS M-112
BIS M-122

Charging power supply

Charging power supply



Industrial RFID Systems BIS M

Handheld

For enhanced operating convenience

Allows portable writing and reading of BIS M data carriers.

- Easy operation thanks to
- Touchscreen with large color Windows CE® display and
 - Pre-installed Balluff software and keyboard or stylus.

Ideal for poor light conditions and challenging environments! Data transfer via optional WLAN, Bluetooth or wired USB. The Handheld is also modular for expandability.

Additional convenience

A pistol grip is provided for ergonomic comfort.

Function	
Housing material	



Standard	Ordering code
Standard + WLAN (802.11b&g)	Ordering code
Standard + Barcode Scanner	Ordering code
Standard + WLAN (802.11b&g) + Barcode Scanner	Ordering code

Keyboard	
Display	
Current	
Capacity	
Interface	
Operating temperature	
Protection per IEC 60529	
Read/write head option	
Accessories included	
Appropriate data carrier	

Please order additional accessories separately



Handheld Standard
BIS M-870-1-008-x-000
 Includes charger and stylus

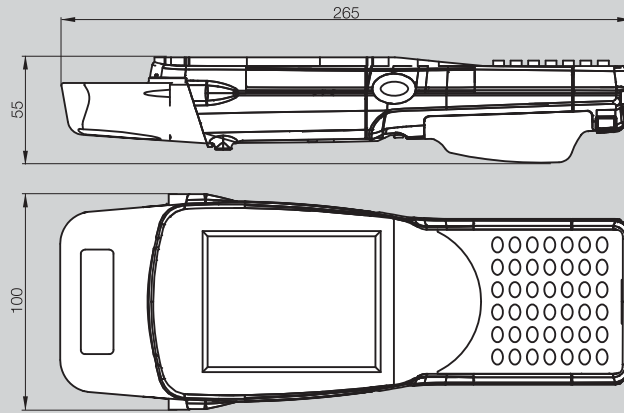
Industrial RFID Systems BIS M

Handheld

read/write
ABS

BIS M

43976_00a



BIS M-870-1-008-x-000
BIS M-870-1-008-x-001
BIS M-870-1-008-x-002
BIS M-870-1-008-x-004

52 buttons, alphanumeric
TFT Touchscreen display
3.7 V rechargeable battery pack
4000 mA/h
RS232/Balluff Dialog
-10...+50 °C
IP 65
integrated
Charging power supply and stylus
BIS M-1 ...
BIS M-2 ...
Docking Station and Pistol Grip

Range of Applications
Selection Criteria
Data carriers
Read/write heads
Read/write heads with integrated processor
Processors
Handy Programmer
Handheld
Installation
Read/write times,
Accessories



Docking Station with power supply 11023834

Pistol Grip 11023836

Industrial RFID Systems BIS M

Installation Notes

Minimum distance between two data carriers

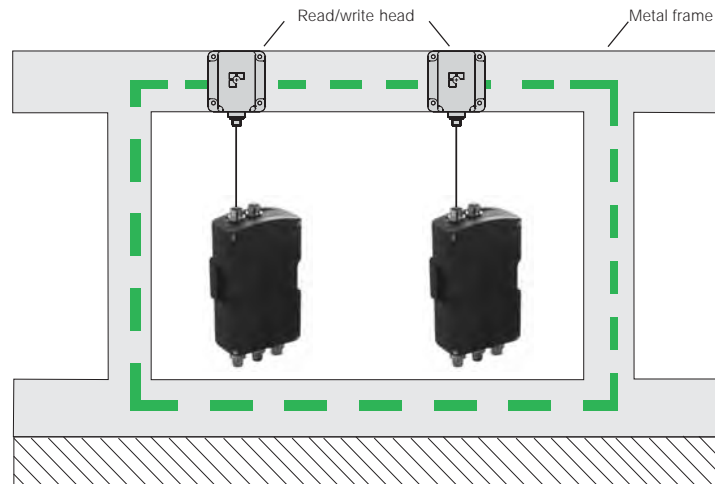
	BIS M-122-02/L	BIS M-110-02/L	BIS M-111-02/A	BIS M-112-02/L	BIS M-105-02/A	BIS M-108-02/A	BIS M-120-01/L	BIS M-150-02/A
BIS M-300	> 100 mm	> 100 mm	> 100 mm	> 150 mm	> 100 mm	> 100 mm		
BIS M-301		> 200 mm	> 200 mm	> 200 mm	> 100 mm	> 200 mm	> 250 mm	
BIS M-302	> 100 mm	> 100 mm	> 100 mm	> 100 mm	> 100 mm	> 100 mm		
BIS M-304	> 100 mm	> 100 mm	> 100 mm	> 100 mm	> 100 mm	> 100 mm		
BIS M-400-007-001-00-S115		> 100 mm	> 100 mm	> 150 mm	> 100 mm	> 100 mm		
BIS M-401-007-001-00-S115		> 200 mm	> 200 mm	> 200 mm	> 100 mm	> 200 mm	> 250 mm	
BIS M-400-007-002-00-S115	> 100 mm	> 100 mm	> 100 mm	> 100 mm	> 100 mm	> 100 mm		
BIS M-351								> 250 mm
BIS M-451-007-001-00-S115								> 250 mm

Minimum distance between two read/write heads

BIS M-300	200 mm
BIS M-301	600 mm
BIS M-351	600 mm
BIS M-302	100 mm
BIS M-304	100 mm
BIS M-400-007-001-00-S115	200 mm
BIS M-401-007-001-00-S115	600 mm
BIS M-451-007-001-00-S115	600 mm
BIS M-400-007-002-00-S115	100 mm

Mounting the read/write heads on metal frames

If the read/write heads are mounted so that they are joined through an enclosed metal frame, mutual interference may result (conductor loop). This may reduce the read/write distances. The smaller the read/write head, the less the interference. This may result in a reduction of the maximum distance by 80 %. In such a case you should test the actual effective read distance.

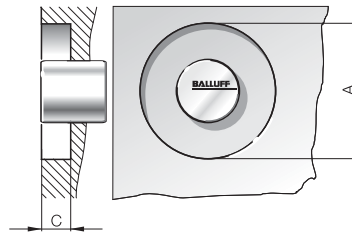


Industrial RFID Systems BIS M

Installation Notes

Clear zone dimensions for read/write heads

Read/write head	Data carriers with clear zone dimensions (in mm)									
	BIS M-111-02/L		BIS M-112-02/L		BIS M-105-02/A		BIS M-120-01/L		BIS M-150-02/A	
	A	C	A	C	A	C	A	C	A	C
BIS M-300-001	100	30	150	30	100	20				
BIS M-301-001	200	70	200	70			250	70		
BIS M-302-001	60	30	60	30	60	30				
BIS M-351-001									250	70
BIS M-304-001	60	30	60	30	60	30				
BIS M-400-007-001	100	30	150	30	100	20				
BIS M-400-007-002	60	30	60	30	60	30				
BIS M-401-007-001	200	70	200	70			250	70		
BIS M-451-007-001									250	70



BIS M

Range of Applications
Selection Criteria
Data carriers
Read/write heads
Read/write heads with integrated processor
Processors
Handy Programmer
Handheld
Installation
Read/write times, Accessories

Mechanical Strength

Data carriers and read/write heads

Ordering code	BIS M-1 __, BIS M-3 __
Shock load	100 g/6 ms per EN 60068-2-27 and 100 g/2 ms per EN 60068-2-29
Vibration	20 g, 10...2000 Hz per EN 60068-2-6

Processors

Ordering code	BIS M-6 __
Shock load	15 g/11 ms per EN 60068-2-27 and 15 g/6 ms per EN 60068-2-29
Vibration	5 g, 10...150 Hz per EN 60068-2-6

Memory access Our processors can read or write each individual byte in the data carrier. But since the data carrier is divided into 16-byte blocks, the actual reading and writing is done by blocks. Our processor electronics converts this time accordingly. To calculate the Read/write times the block read or write time must however be used.

Data carrier recognition 20 ms are required to recognize a data carrier.

Read Times BIS M-1_ _	EEPROM	FRAM
	Data carrier with 16 byte blocks	Data carrier with 16 byte blocks
	Byte read time [ms]	Byte read time [ms]
	from 0 to 15	from 0 to 15
	20	30
	for each additional 16 bytes started add an additional	for each additional 16 bytes started add add an additional
	10	15

Write Times BIS M-1_ _	Data carrier with 16 byte blocks	Data carrier with 16 byte blocks
	Byte write time [ms]	Byte writetime [ms]
	from 0 to 15	from 0 to 15
	40	60
	for each additional 16 bytes started add an additional	for each additional 16 bytes started add add an additional
	30	40

Example Read and write 183 bytes starting at address 42

Address 42 is in Block 3 (42/16)
Address 224 is in Block 14 (224/16)

Therefore a total of 12 blocks will be processed, where the first block always has a slightly longer read or write time.

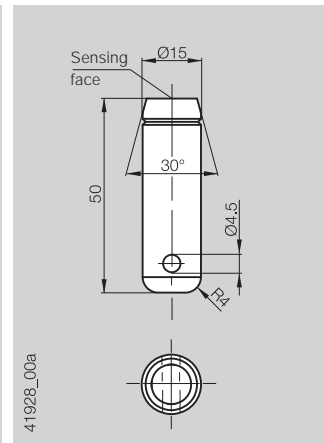
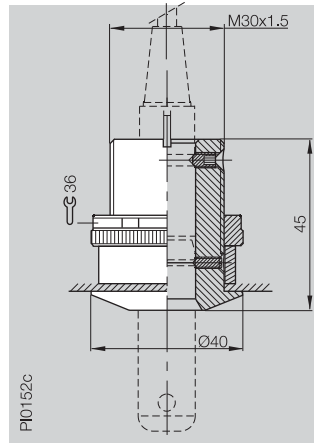
Read time = 20 ms + 11 * 10 ms = 130 ms
Write time = 40 ms + 11 * 30 ms = 370 ms

Attention! Fluctuations in the ms range are possible.
Electrical noise effects may increase the read/write time.

Industrial RFID Systems BIS M

Accessories

Version	Access protection	Data carrier + Bracket
Use	Attachment for read/write head BIS M-304	



Ordering code	BIS Z-ZA-001	BIS M-122-01/A-ZC1
Protection per IEC 60529		IP 67
Ambient temperature range	0...+70 °C	-25...+70 °C
Storage temperature	-20...+85 °C	-25...+85 °C



Access protection

And here's how it works

Individual access codes are allocated via programmable data keys, which can then be disabled to prevent further programming.

Unauthorized personnel cannot manipulate the data key as a result. The data key is read via an antenna fitted to a special bracket and the processor unit then issues the data. Different interfaces such as serial, PROFIBUS, INTERBUS, DeviceNet™, Ethernet/IP or parallel interfaces enable simple connection to the monitored system. Available for systems BIS C, BIS L and BIS M.

The benefits

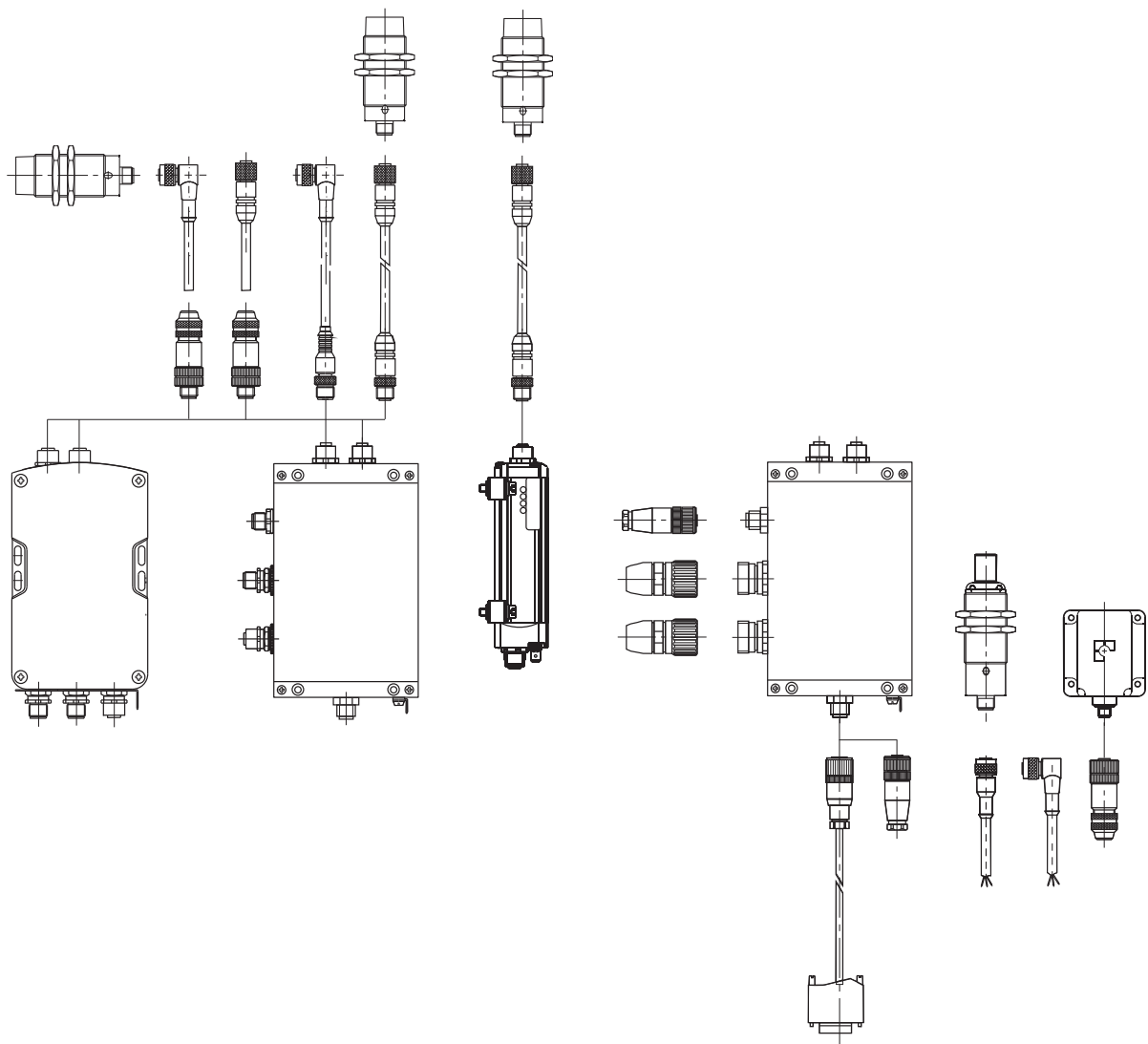
The programmable data key allows upgrades or replacements without requiring modifications to the system software. End users are independent of system providers. The access system is easy to integrate in read/write stations that already use an identification system. Simply connect the access monitoring antenna to the second channel on the existing processor unit. Hardware expenses are reduced to a minimum and software only requires slight modification in order to process both channels.



Electronic key for access control. Easy to implement using the "RFID key"

BIS M

Range of Applications
Selection Criteria
Data carriers
Read/write heads
Read/write heads with integrated processor
Processors
Handy Programmer
Handheld Installation
Read/write times,
Accessories





Accessoires systèmes industriels RFID

Sommaire

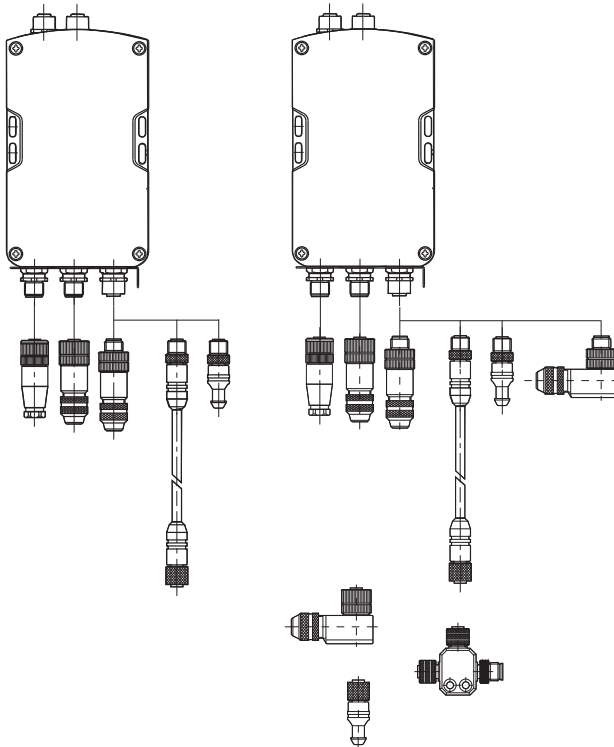
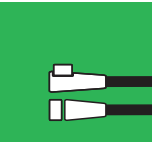


Accessoires

Connectique personnalisée pour la mise en œuvre optimale des systèmes industriels RFID

Vos avantages particuliers

- Haute qualité avec des standards régionaux
- Adaptée de façon optimale aux capteurs et systèmes
- Pour une connexion rapide et simple
- Testée de façon intensive dans le laboratoire accrédité interne de Balluff pour les exigences les plus strictes

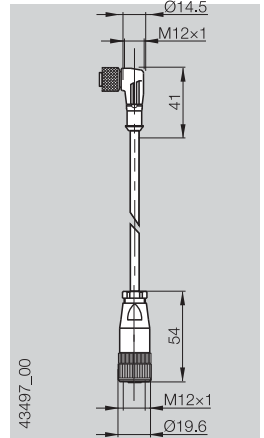
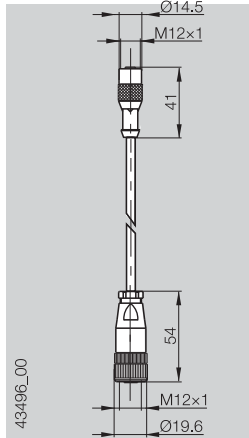
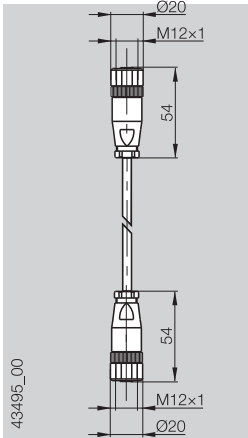
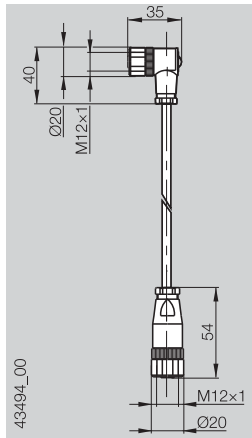


194	Câbles de liaison avec connecteurs
196	Connecteurs
197	Connecteurs et résistance terminale
198	Câbles de liaison
199	Connecteurs
201	Connecteurs, résistance terminale
202	Connecteurs
203	Connecteurs, résistance terminale
204	Connecteurs
205	Connecteurs, résistance terminale
206	Accessoires
207	Bride de fixation, système de retenue et plaque de montage
208	Accessoires mécaniques
209	Colliers de fixation

Accessoires

Câble de liaison avec connecteurs

Exécution	2 connecteurs M12	2 connecteurs M12	2 connecteurs M12	2 connecteurs M12
Utilisation	pour tête de lecture/écriture avec connecteur M12	pour tête de lecture/écriture avec connecteur M12	pour tête de lecture/écriture avec connecteur M12 aussi disponible en version à chaîne porte-câble	pour tête de lecture/écriture avec connecteur M12 aussi disponible en version à chaîne porte-câble



Symbolisation commerciale	BIS C-517-PVC-__**	BIS C-518-PVC-__**	BIS C-505-PU-__** BIS C-505-PU1-__**	BIS C-506-PU-__** BIS C-506-PU1-__**
Connecteur				
Diamètre de câble	5,4 mm	5,4 mm	5,4 mm	5,4 mm
Classe de protection* CEI 60529	IP 67 monté	IP 67 monté	IP 67 monté	IP 67 monté
Température ambiante	-25...+105 °C	-25...+105 °C	-40...+70 °C	-40...+70 °C
Câble	PVC	PVC	PU	PU

BIS C-505-PU1-__ est compatible chaîne porte-câble
 BIS C-506-PU1-__ est compatible chaîne porte-câble

*valable uniquement à l'état connecté

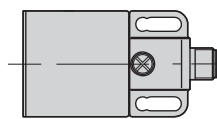
**Veuillez ajouter la longueur du câble à la symbolisation commerciale ! La longueur dépend de la tête de lecture/écriture utilisée avec le connecteur S4 :
 01 = longueur 1 m,
 05 = longueur 5 m,
 10 = longueur 10 m.

more added value

Utilisez les accessoires assortis pour une intégration optimale. Y compris pour des exigences élevées, étant donné que les câbles sont également compatibles chaîne porte-câble

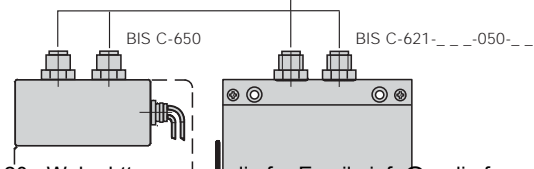


Exemple :
 BIS C-324



- BIS C-517-PVC-__
- BIS C-518-PVC-__
- BIS C-505-PU-__
- BIS C-506-PU-__

Câbles de liaison, voir page C.50/51



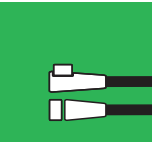


Accessoires

Câbles de liaison avec connecteurs

2 connecteurs M12 pour tête de lecture/écriture BIS C-355 et adaptateur BIS C-654	Connecteurs M8 et M12 pour tête de lecture/écriture BIS C-328-__-S49	Sub D avec long. de câble fixe 2 m pour une liaison RS232 au PC	Câble adaptateur Connecteur M12 et MIN D, 9 contacts Interface de service	Câble d'adaptateur pour RS 232, PS 2 raccordement à ordinateur et BIS C-820
BIS C-520-PVC-05	BIS C-523-PU-05 BIS C-523-PU1-05	BIS C-521-PVC-02	BIS C-522-PVC-02	BIS C-524-PVC-01,5
5,8 mm IP 65 monté -30...+80 °C PVC	IP 67 monté -40...+70 °C PU	5,8 mm -5...+80 °C PVC	Interface série RS232 sur PC 5,8 mm -5...+80 °C PVC	-5...+80 °C PVC

Veuillez ajouter la longueur du câble à la symbolisation commerciale !
02 = longueur 2 m
03 = longueur 3 m



Câbles de liaison avec connecteurs

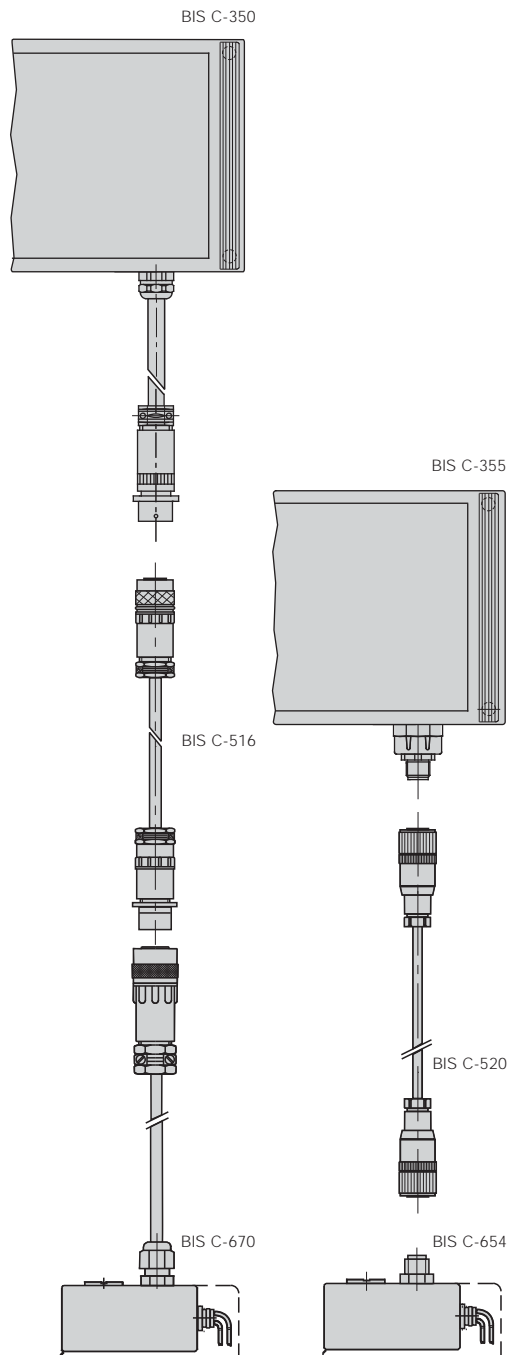
- Connecteurs
- Connecteurs, résistance terminale
- Câbles de liaison
- Connecteurs
- Connecteurs, résistance terminale
- Accessoires
- Bride de fixation, système de retenue et plaque de montage
- Accessoires mécaniques
- Colliers de fixation



more added value

Réalisez vos exigences simplement à l'aide des connecteurs de Balluff. Et profitez de détails utiles.

Exemple :



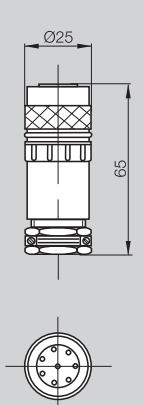
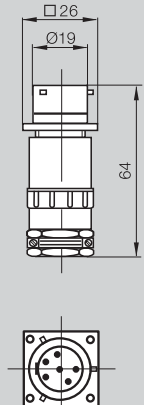
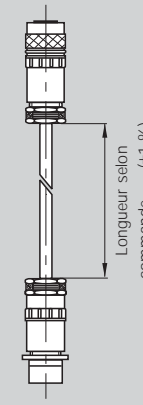
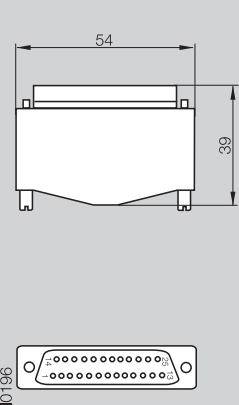
Exécution
Utilisation

Symbolisation commerciale
Type de connecteur
Câble préconisé
Section des fils
Classe de protection* CEI 60529
Température ambiante

*valable uniquement à l'état connecté

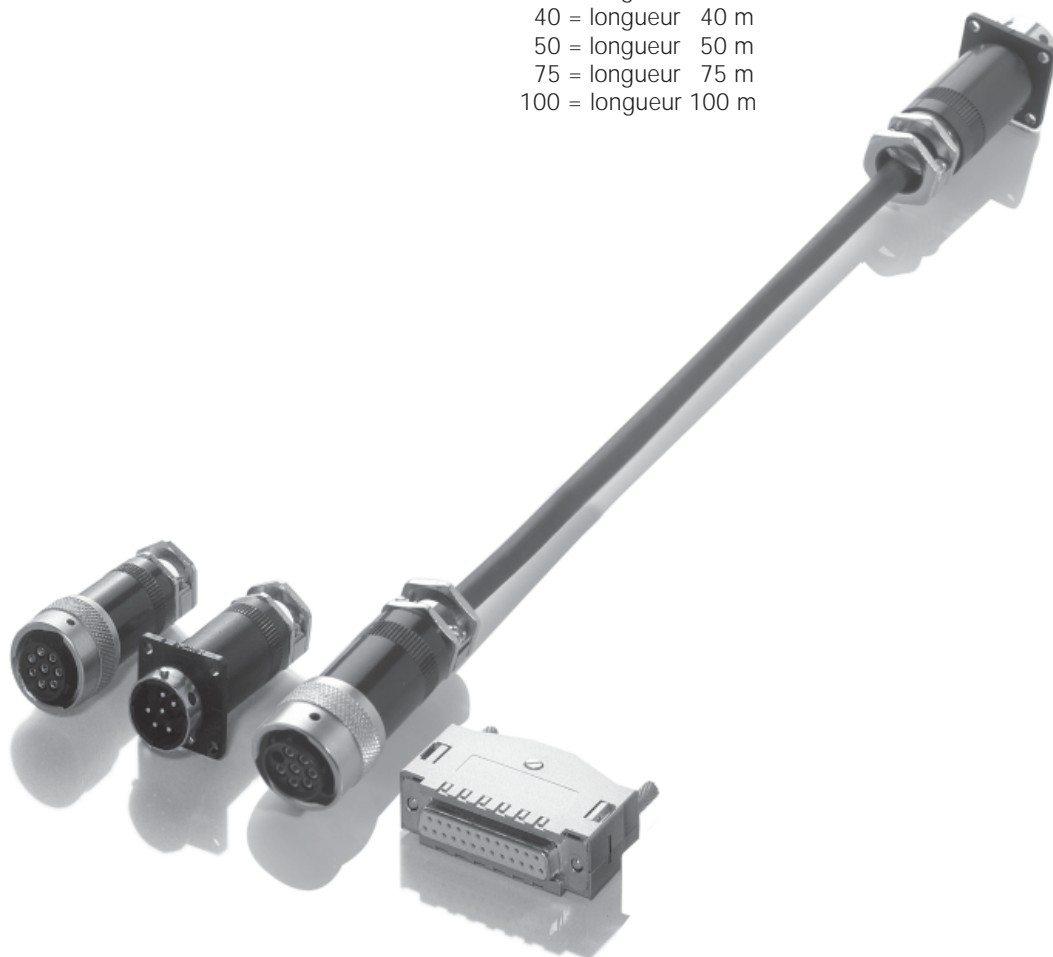
Accessoires

Connecteurs et résistance terminale

	8 pôles, femelle Raccordement avec tête de lecture/écriture BIS C-35_	6 pôles, mâle Rallonge pour BKS-S 45-00	BKS S 45-00, BKS S 46-00 pour tête de lecture/ écriture BIS C-350 pour adaptateur BIS C-670	25 pôles, femelle pour les unités d'exploitation BIS C-605-...	
					
	BKS-S 45-00 Connecteur rond	BKS-S 46-00 Connecteur rond	BIS C-516-PU-_-_-	BKS-S 52-00 Connecteur Sub D	
	LiYCY-0	LiYCY-0		LiYCY-0	
	0,52 mm ²	0,52 mm ²		0,5 mm ²	
	IP 65	IP 65	IP 65 monté	IP 40	
	-55...+125 °C	-55...+125 °C	-30...+80 °C	-40...+85 °C	

Veillez ajouter la longueur du câble à la symbolisation commerciale !

- 05 = longueur 5 m
- 10 = longueur 10 m
- 15 = longueur 15 m
- 20 = longueur 20 m
- 30 = longueur 30 m
- 40 = longueur 40 m
- 50 = longueur 50 m
- 75 = longueur 75 m
- 100 = longueur 100 m



Câbles de liaison avec connecteurs

Connecteurs
Connecteurs, résistance terminale

Câbles de liaison

Connecteurs

Connecteurs, résistance terminale

Accessoires

Bride de fixation, système de retenue et plaque de montage

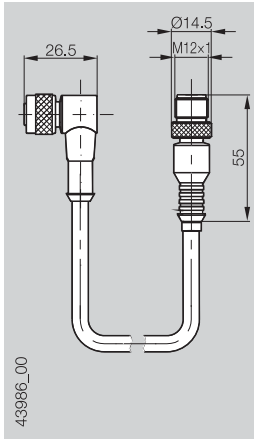
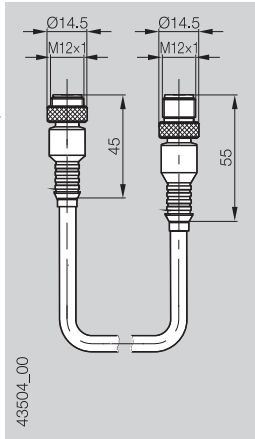
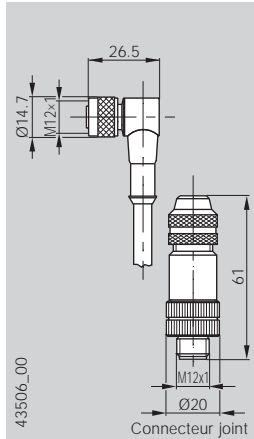
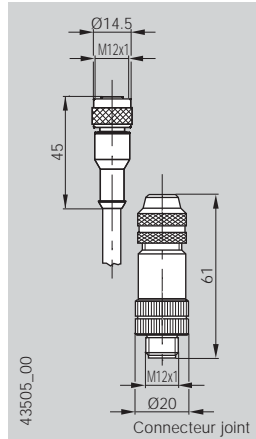
Accessoires mécaniques

Colliers de fixation

Accessoires

Câbles de liaison

Exécution	8 pôles, femelle	8 pôles, femelle	8 contacts, mâle, femelle	8 contacts, mâle, femelle
Utilisation	pour tête de lecture/écriture 8 pôles, mâle pour unité d'exploitation	pour tête de lecture/écriture 8 pôles, mâle pour unité d'exploitation	pour tête de lecture/écriture et unité d'exploitation	pour tête de lecture/écriture et unité d'exploitation



Symbolisation commerciale	BIS Z-501-PU1-_-_/E	BIS Z-502-PU1-_-_/E	BIS Z-501-PU1-_-_/M	BIS Z-502-PU1-_-_/M
Connecteurs	M12	M12	M12	M12
Diamètre de câble	6,9 mm	6,9 mm	6,9 mm	6,9 mm
Classe de protection* CEI 60529	IP 67 monté	IP 67 monté	IP 67	IP 67
Nombre de conducteurs x section des conducteurs	8x0,25 mm ²	8x0,25 mm ²	8x0,25 mm ²	8x0,25 mm ²
Température ambiante	-40...+85 °C	-40...+85 °C	-40...+85 °C	-40...+85 °C
Accessoires fournis	BKS-S117-00	BKS-S117-00		
Câble	une extrémité surmoulée, l'autre extrémité de câble ouverte	une extrémité surmoulée, l'autre extrémité de câble ouverte	les deux côtés surmoulés	les deux côtés surmoulés

*valable uniquement à l'état connecté

**a température négative

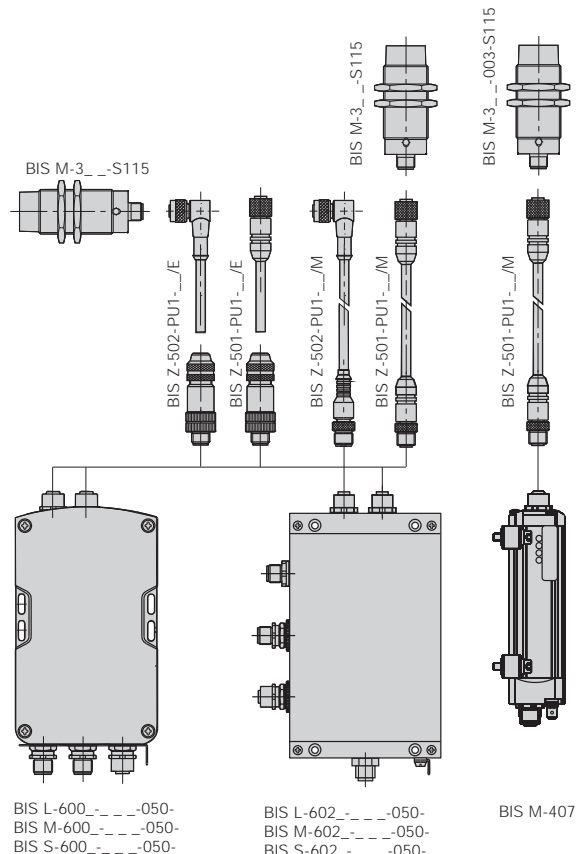
Veuillez ajouter la longueur du câble à la symbolisation commerciale !

05 = longueur 5 m
10 = longueur 10 m
20 = longueur 20 m
25 = longueur 25 m
50 = longueur 50 m

Veuillez ajouter la longueur du câble à la symbolisation commerciale !

00,5 = longueur 0,5 m
01 = longueur 1 m
02 = longueur 2 m
05 = longueur 5 m

Le câble est compatible chaîne porte-câble et peut être raccourci à la longueur requise. En cas de pose fixe, rayon de courbure minimum de 16 mm à une température ambiante de -40...+85 °C. Plus petit rayon de courbure en cas de pose mobile 80 mm à une température ambiante de -25...+85 °C.



Accessoires

Connecteurs

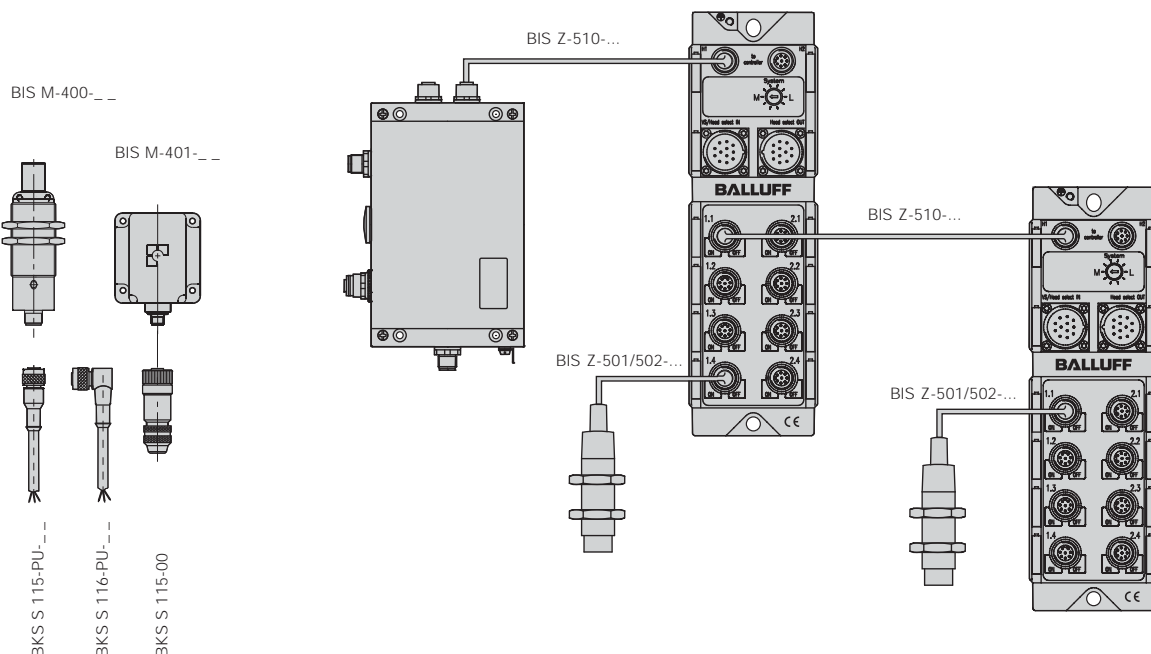
	8 pôles, mâle pour raccordement tête de lecture/écriture à l'unité d'exploitation	8 pôles, femelle BIS M-4_ _ Interface RS232	8 contacts, droit, femelle BIS M-4_ _ avec interface RS232	8 contacts, coudé, femelle BIS M-4_ _ avec interface RS232	8-polig, Stift, Stift BIS L/M-6_ _ _ mit Expandermodul BIS Z-ER
	PL0029a	PL0056	42781_00	42780_00	43984_00
	BKS-S117-00 M12 6...8 mm IP 67 -40...+85 °C	BKS-S115-00 M12 6...8 mm IP 67 -40...+85 °C	BKS-S115-PU- _ _ M12 IP 67 8x0,25 mm ² -25...+90 °C**	BKS-S116-PU- _ _ M12 IP 67 8x0,25 mm ² -25...+90 °C**	BIS Z-510-PU1-01 M12 IP 67 8x0,25 mm ² -25...+90 °C**
			surmoulé PUR	surmoulé PUR	

more added value

Utilisez les accessoires assortis aux capteurs BIS pour une intégration optimale! Y compris pour des exigences élevées, étant donné que les câbles sont compatibles chaîne porte-câble

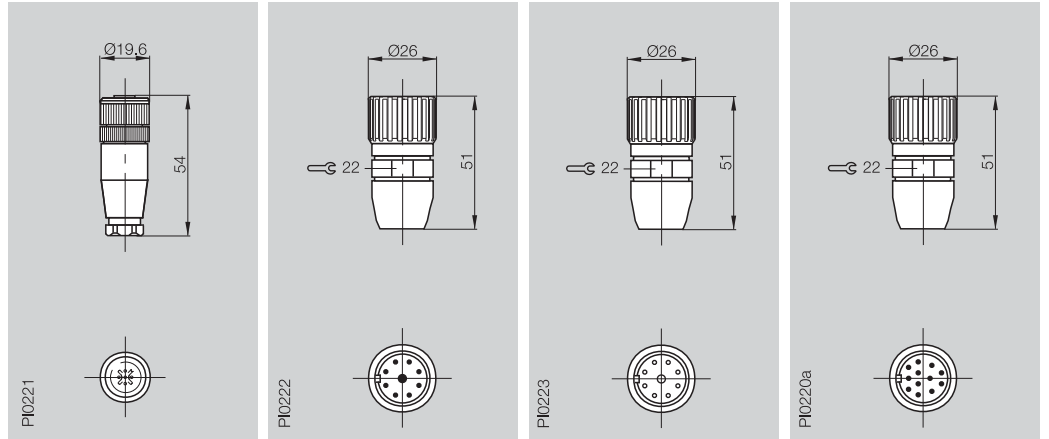
Veuillez ajouter la longueur du câble à la symbolisation commerciale !

02 = longueur 2 m
05 = longueur 5 m
10 = longueur 10 m
15 = longueur 15 m



Câbles de liaison avec connecteurs
Connecteurs
Connecteurs, résistance terminale
Câbles de liaison
Connecteurs
Connecteurs, résistance terminale
Accessoires
Bride de fixation, système de retenue et plaque de montage
Accessoires mécaniques
Colliers de fixation

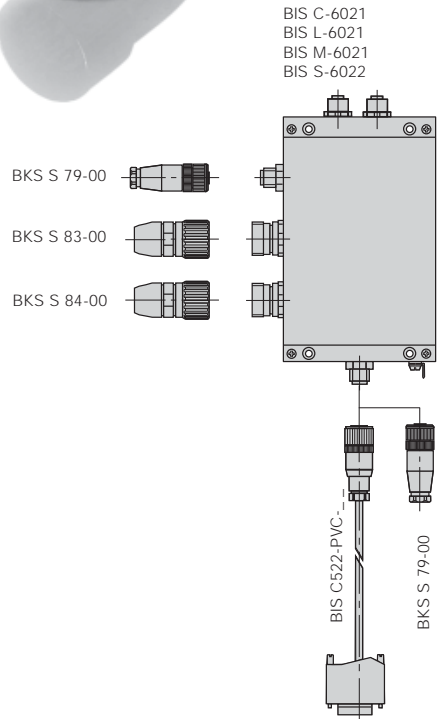
Exécution	5 pôles, femelle	9 pôles, mâle	9 pôles, femelle	12 pôles, mâle
Utilisation	pour raccordement aux unités d'exploitation BIS C/L/M/S-6_ _ (Power)	pour raccordement aux unités d'exploitation BIS C/L/M/S-6021 sortie	pour raccordement aux unités d'exploitation BIS C/L/M/S-6021 entrée	pour raccordement aux unités d'exploitation BIS C-6022 ... ST10 entrée et/ou sortie, Profibus

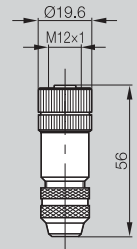
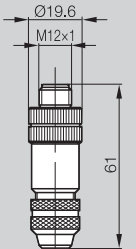
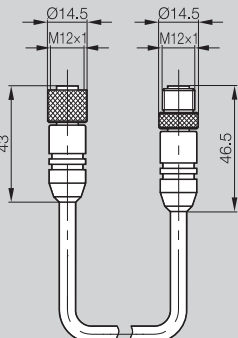
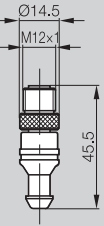



Symbolisation commerciale	BKS-S 79-00	BKS-S 83-00	BKS-S 84-00	BKS-S 86-00
Connecteurs	M12	Connecteur rond	Connecteur rond	Connecteur rond
Câble préconisé	LiYCY-0	LiYCY-0	LiYCY-0	LiYCY-0
Diamètre de câble		0,5 mm ²	0,5 mm ²	
Section des fils	0,34 mm ²			0,5 mm ²
Classe de protection* CEI 60529	IP 67	IP 67	IP 67	IP 67
Température ambiante	-40...+85 °C	-40...+85 °C	-40...+85 °C	-40...+125 °C
Câble				

*valable uniquement à l'état connecté
**à température négative

Alimentation électrique pour tous les BIS M-6_ _



5 pôles, femelle pour raccordement PROFIBUS-DP	5 pôles, mâle pour raccordement PROFIBUS-DP	5 contacts, mâle, femelle Câble de rallonge PROFIBUS-DP	5 pôles, mâle Résistance terminale PROFIBUS-DP	Capuchon de protection IP 65 pour les connecteurs inutilisés.
 <p>P10368</p>	 <p>P10369</p>	 <p>P10028</p>	 <p>P10366</p>	 <p>P10215</p>
BKS-S103-00 M12 codage B	BKS-S105-00 M12 codage B	BKS-S103/GS103-CP-_ M12 codage B	BKS-S105-R01 M12 codage B	BKS 23-CS-00
		2x0,64 mm ²		
IP 67 -40...+85 °C	IP 67 -40...+85 °C	IP 67 -40...+85 °C PU	IP 67 -40...+85 °C	



Veillez ajouter la longueur du câble à la symbolisation commerciale !

- 00,3 = longueur 0,3 m
- 02 = longueur 2 m
- 05 = longueur 5 m
- 10 = longueur 10 m



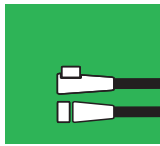
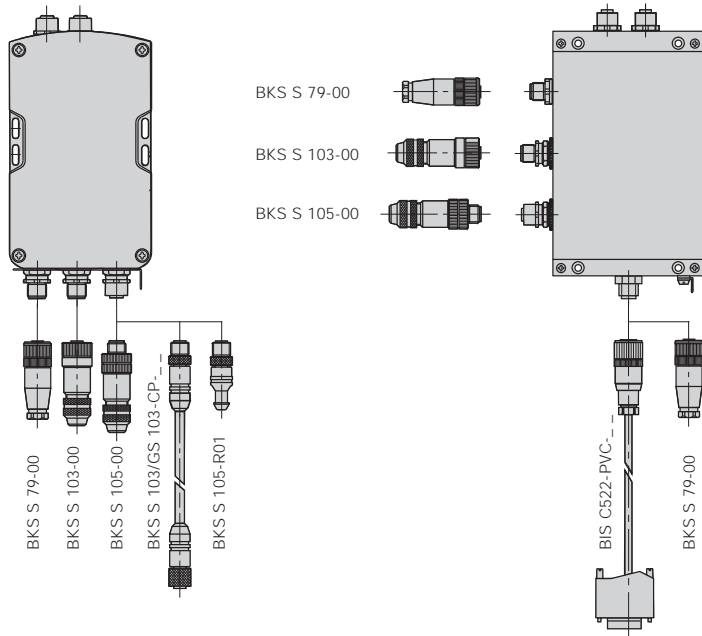
Capuchon BKS 23-CS-00
pour connexion enfichable M23
Capuchon de protection IP 65 pour les connecteurs inutilisés !



Capuchon BKS 12-CS-01
pour connecteur M12 modèle B

BIS L-6002
BIS M-6002
BIS S-6002

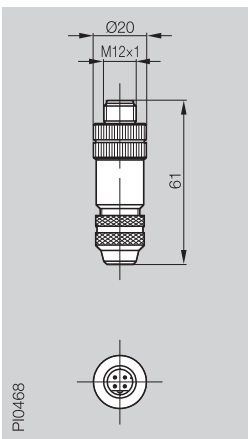
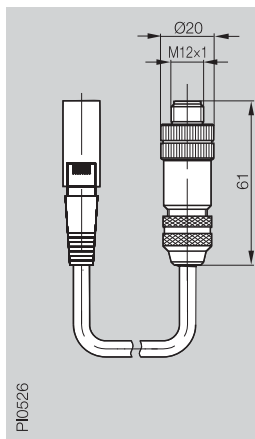
BIS C-6022
BIS L-6022
BIS M-6022
BIS S-6022



Câbles de liaison avec connecteurs
Connecteurs
Connecteurs, résistance terminale
Câbles de liaison

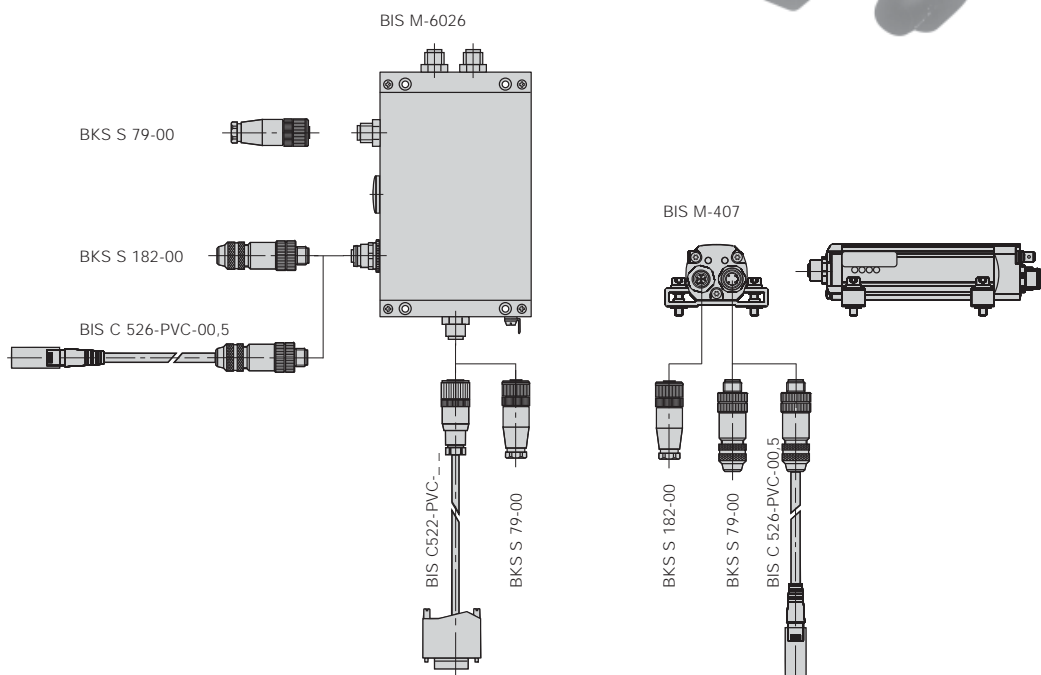
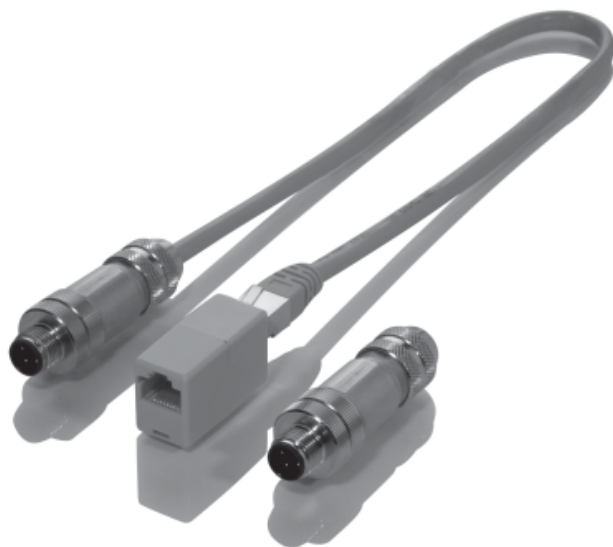
Connecteurs
Connecteurs, résistance terminale
Accessoires
Bride de fixation, système de retenue et plaque de montage
Accessoires mécaniques
Colliers de fixation

Exécution	Câble adaptateur pour EtherNet de M12 modèle D sur connecteur RJ45/RJ45	4 contacts, mâle pour le raccordement aux unités d'exploitation BIS C-6026 et BIS C-6027, EtherNet			
Utilisation					

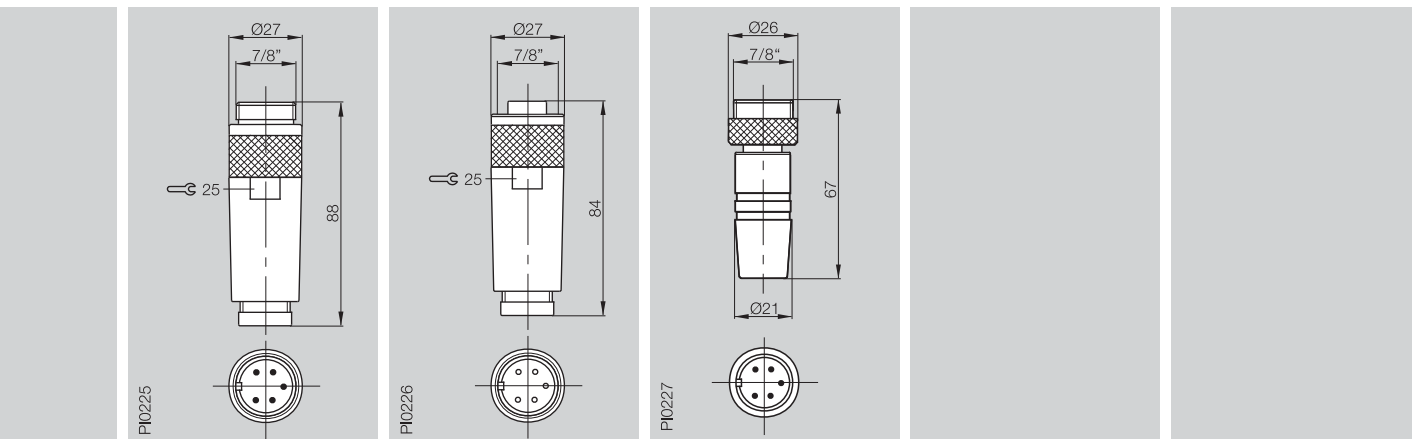


Symbolisation commerciale	BIS-C 526-PVC-00,5	BKS-S 182-00			
Connecteurs		M12, codage D			
Câble préconisé					
Section des fils					
Classe de protection* CEI 60529	IP 40	IP 67			
Température ambiante	-20...+80 °C	-40...+85 °C			

*valable uniquement à l'état connecté



5 pôles, mâle pour raccordement aux unités d'exploitation BIS L-6023 DeviceNet	5 pôles, femelle pour raccordement aux unités d'exploitation BIS L-6023 DeviceNet	5 pôles, mâle Résistance terminale pour les unités d'exploitation BIS C-6023 DeviceNet		
-----------------------------------------------------------------------------------------	--------------------------------------------------------------------------------------------	-------------------------------------------------------------------------------------------------	--	--



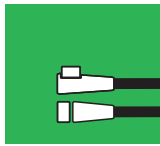
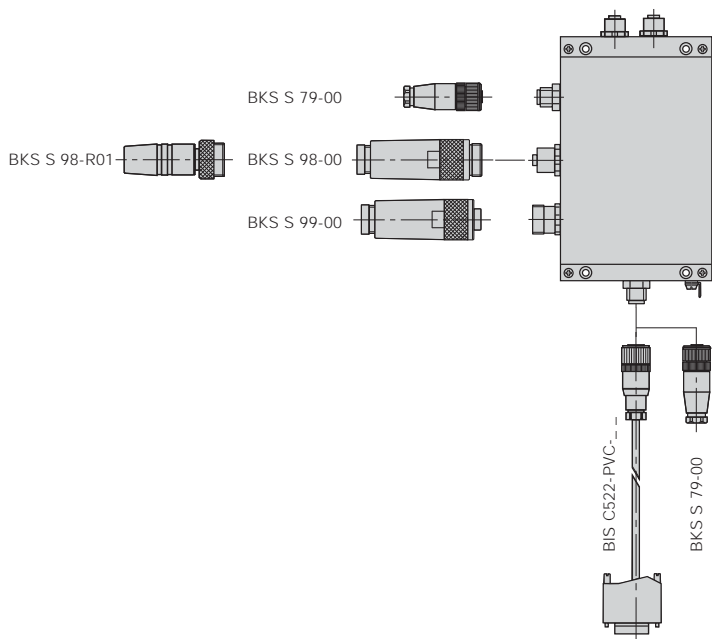
BKS-S 98-00 Connecteur rond	BKS-S 99-00 Connecteur rond	BKS-S 98-R01 Connecteur rond		
LiYCY-0 0,5 mm ²	LiYCY-0 0,5 mm ²			
IP 67	IP 67	IP 67		
-40...+90 °C	-40...+90 °C	-40...+85 °C		

more added value

Le bon câble pour toutes les connexions de DeviceNet



BIS C-6023
BIS L-6023
BIS M-6023
BIS S-6023



Câbles de liaison avec connecteurs
Connecteurs
Connecteurs, résistance terminale
Câbles de liaison

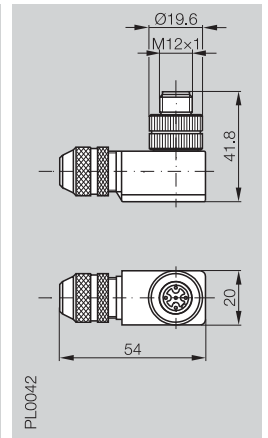
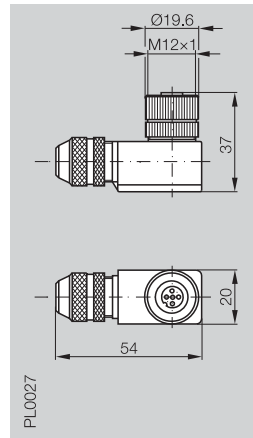
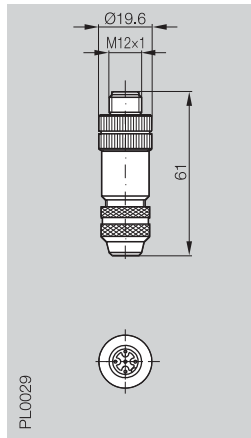
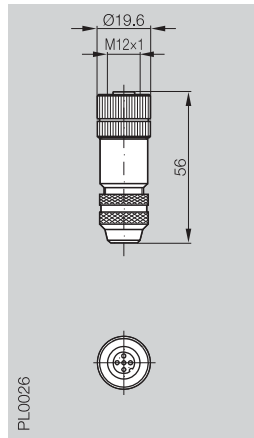
**Connecteurs
Connecteurs, résistance terminale**

Accessoires
Bride de fixation, système de retenue et plaque de montage
Accessoires mécaniques
Colliers de fixation

Accessoires

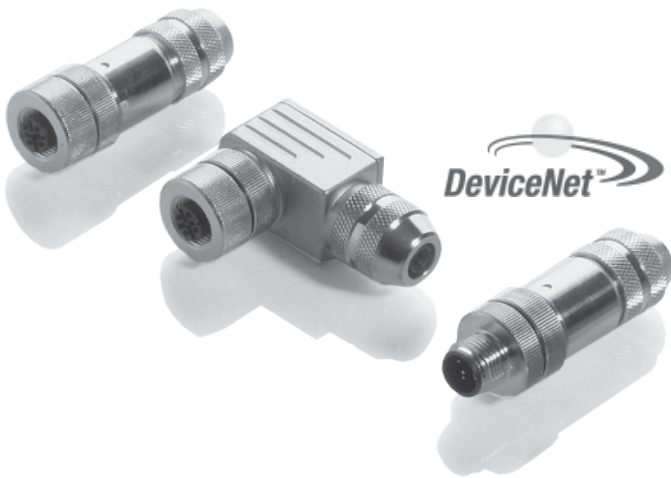
Connecteurs

Exécution	5 pôles, femelle	5 pôles, mâle	5 pôles, coudé, femelle	5 pôles, coudé, mâle
Utilisation	BIS M-6003-...	BIS M-6003-...	BIS M-6003-...	BIS M-6003-...

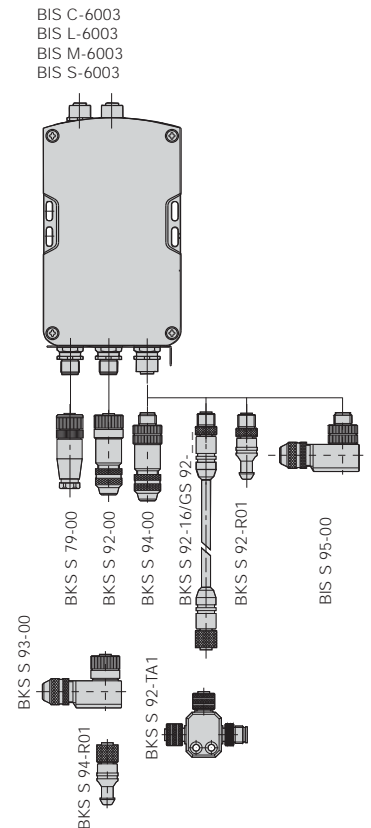


Symbolisation commerciale	BKS-S 92-00	BKS-S 94-00	BKS-S 93-00	BKS-S 95-00
Connecteurs	Connecteur rond	Connecteur rond	Connecteur rond	Connecteur rond
Diamètre de câble	6...8 mm	6...8 mm	6...8 mm	6...8 mm
Classe de protection selon CEI 60529	IP 67 (à l'état vissé)	IP 67 (à l'état vissé)	IP 67 (à l'état vissé)	IP 67 (à l'état vissé)
Température ambiante	-40...+85 °C	-40...+85 °C	-40...+85 °C	-40...+85 °C
Résistance				

Affectation des broches	BKS-S 92-00/-S 93-00/ -S 94-00/-S 95-00		BKS-S 92-R01/ -S 94-R01	
	Broche	Signal	Broche	Signal
<p>Vue du côté à visser du connecteur femelle</p>	1	Drain	1	-
	2	V+	2	-
	3	V-	3	-
	4	CAN_H	4	121 ohms
	5	CAN_L	5	



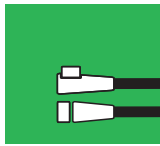
DeviceNet™



Branchement en T, 2 x femelle, 1 x mâle BIS M-6003-...	5 pôles, femelle BIS M-6003-... résistance terminale	5 pôles, mâle BIS M-6003-... résistance terminale	5 contacts, mâle, femelle BIS M-6003-... prolongateur
<p>PL0025</p>	<p>PL0031</p>	<p>PL0030</p>	<p>PL0028</p>
BKS-S 92-TA1 Connecteur rond	BKS-S 92-R01 Connecteur rond	BKS-S 94-R01 Connecteur rond	BKS-S 137-19/GS92-PU-__ Connecteur rond
IP 65 -25...+85 °C	IP 68 -25...+90 °C 121 ohms	IP 68 -25...+90 °C 121 ohms	IP 67 -25...+90 °C

Veillez ajouter la longueur du câble à la symbolisation commerciale !

- 02 = longueur 2 m
- 05 = longueur 5 m
- 10 = longueur 10 m



Câbles de liaison avec connecteurs
Connecteurs
Connecteurs, résistance terminale
Câbles de liaison

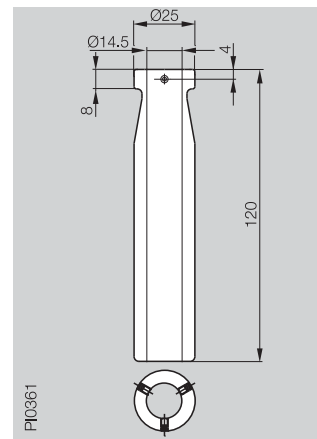
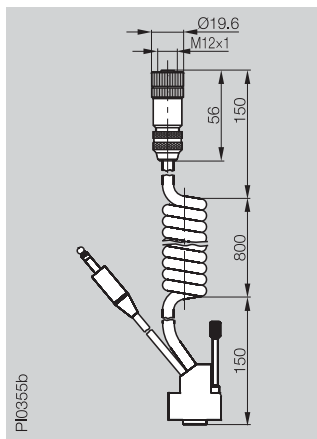
Connecteurs
Connecteurs, résistance terminale
Accessoires
Bride de fixation, système de retenue et plaque de montage
Accessoires mécaniques
Colliers de fixation

Le bon câble pour toutes les connexions de DeviceNet !

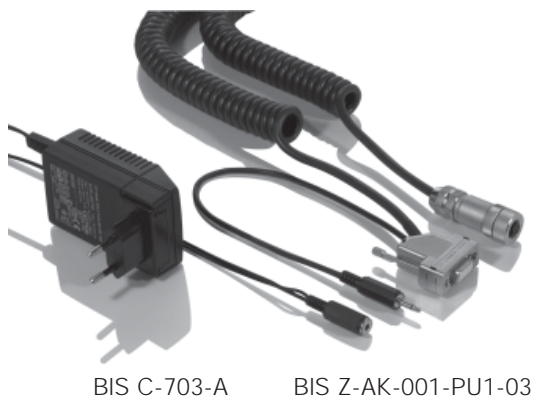


Accessoires

Exécution	Câble de raccordement	Exécution	Manette
Utilisation	Câble de liaison pour BIS M-4_ _ Systèmes avec dispositif de couplage pour BIS C-703-A Bloc d'alimentation et interface RS232	Utilisation	pour tête de lecture/écriture BIS C-300-__



Symbolisation commerciale	BIS Z-AK-001-PU1-03	Symbolisation commerciale	BIS C-300-HG1
Classe de protection selon CEI 60529	IP 40	Température de stockage	-20...+85 °C
Température ambiante	0...+70 °C	Température ambiante	0...+70 °C



BIS C-703-A

BIS Z-AK-001-PU1-03

Manette BIS C-300-HG1
Matériau : POM



Manette – pour un travail ergonomique
pour têtes de lecture/écriture ou têtes de lecture/écriture avec unités d'exploitation intégrées dans boîtier M18 ou M30

BIS Z-HG-002



BIS Z-HG-003

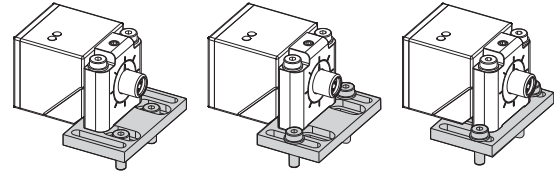
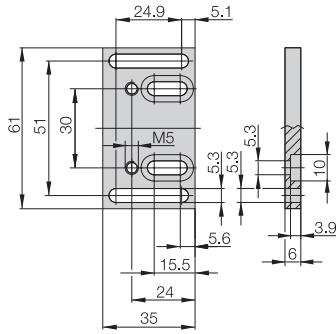


Accessoires

Bride de fixation, système de retenue et plaque de montage

Désignation	Bride de fixation pour Unicomact
Symbolisation commerciale	BES Q40-HW-1

Matériau : alu



3 différentes possibilités de fixation

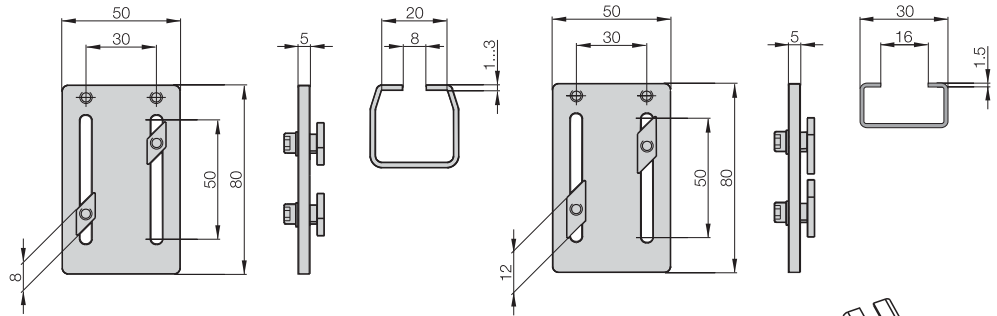


PX1678

Désignation	Système de retenue pour Unicomact	Système de retenue pour Unicomact
Symbolisation commerciale	BES HS-01-P1-C8/Q40	BES HS-01-P1-C16/Q40

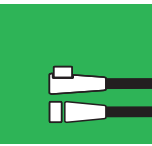
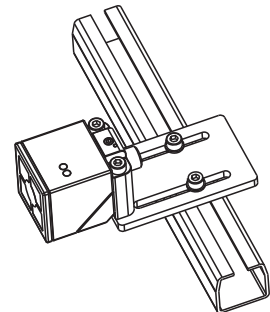
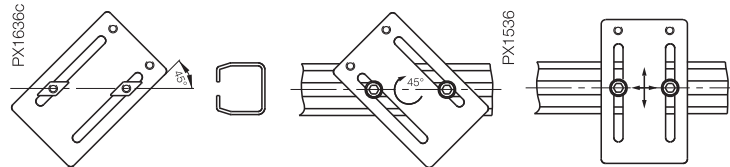
Ce système sert à fixer les capteurs Unicomact sur des rails.
Matériau : Al/CuZn.

- Le set de fixation comprend :
- 1 plaque de montage
 - 2 coulisseaux
 - 2 vis cylindriques M5×10 DIN 912 zinguées
 - 2 rondelles Ø 5,3 DIN 533
 - 2 vis cylindrique M5×40 ISO 4762



PX1636c

PX1536



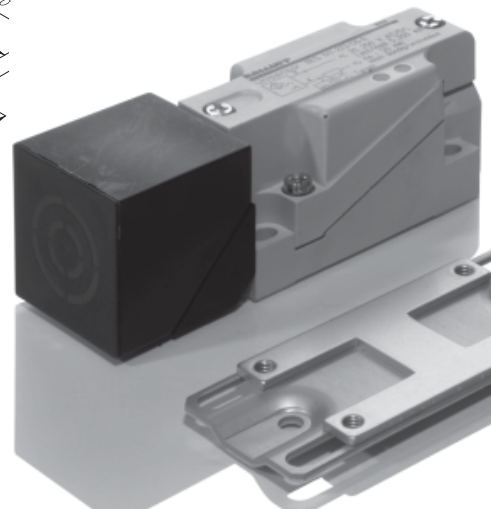
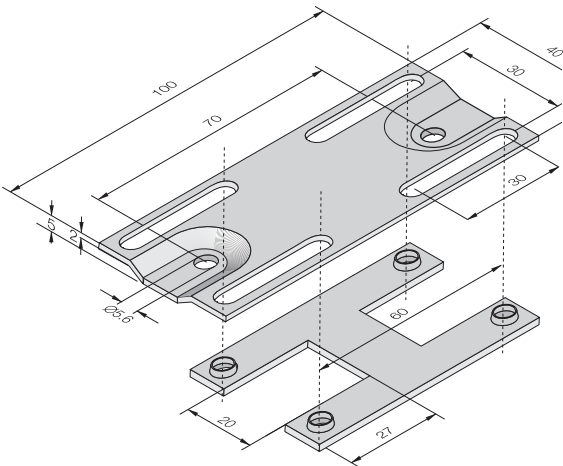
- Câbles de liaison avec connecteurs
- Connecteurs
- Connecteurs, résistance terminale
- Câbles de liaison
- Connecteurs
- Connecteurs, résistance terminale

Accessoires
Bride de fixation, système de retenue et plaque de montage

- Accessoires mécaniques
- Colliers de fixation

Désignation	Plaque de montage pour Unisensor
Symbolisation commerciale	Plaque de montage B 4 - 2057

Les Unisensors peuvent être déplacés jusqu'à 30 mm sur cette plaque alors qu'ils sont branchés.
Une fois les vis de fixation desserrées (M5×25 ; fournies avec la plaque), l'Unisensor peut être déplacé facilement et positionné exactement à l'endroit voulu.
Serrer les vis !
La plaque de montage est réalisée en aluminium anticorrosion.



Accessoires

Accessoires mécaniques

Support de rail Kit de montage pour unités d'exploitation BIS C/L/M/S-600X

Éléments fournis avec le kit de montage BIS Z-HW-001

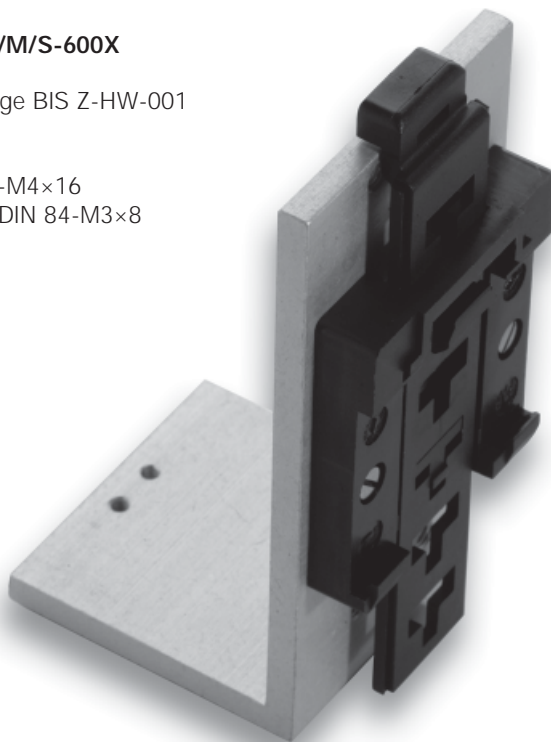
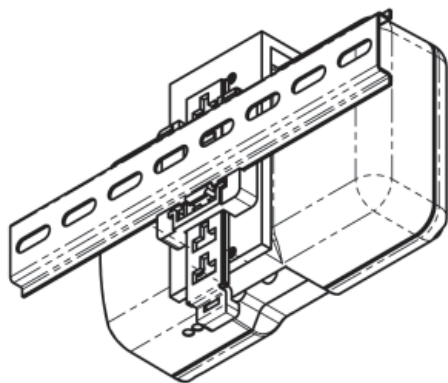
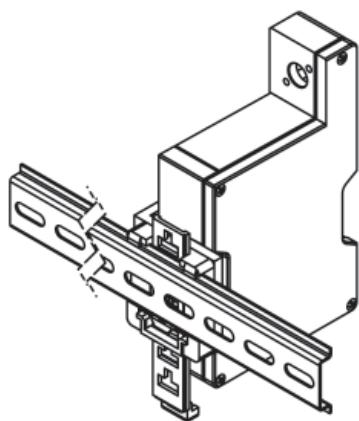
1 bride de fixation

1 support de rail

4 vis à six pans creux, selon DIN 912-M4×16

2 vis à tête cylindrique fendue, selon DIN 84-M3×8

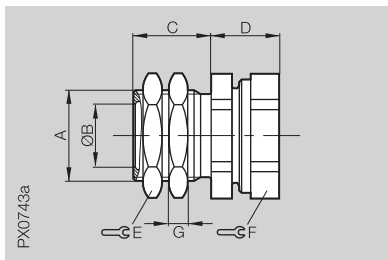
Les rails ne sont pas fournis.



more added value

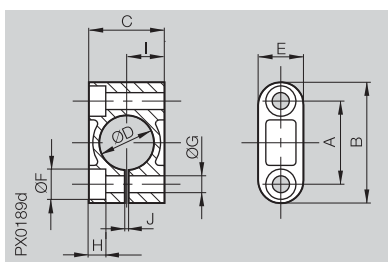
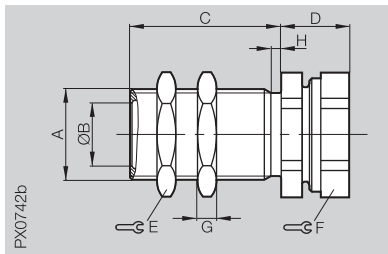
Pour un réglage et
une fixation simples sur
rails profilés

Accessoires Colliers de fixation



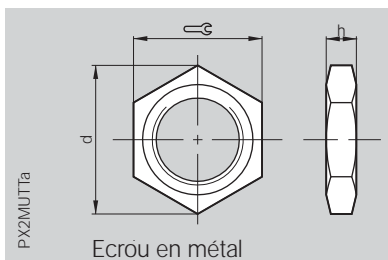
Dispositifs de serrage à butée fixe pour les têtes de lecture/écriture avec une longueur de filet de ≥ 30 mm (matériau : CuZn, nickelé)

	A	Ø B	C	D max.	E	F	G
BES 18,0-KH-2S	M24×1,5	18	20,5	15,5	SW30	SW30	5
BES 30,0-KH-2S	M36×1,5	30	20,5	15,5	SW41	SW41	6
BES 30,0-KH-2L	M36×1,5	30	40	18	SW41	SW41	6



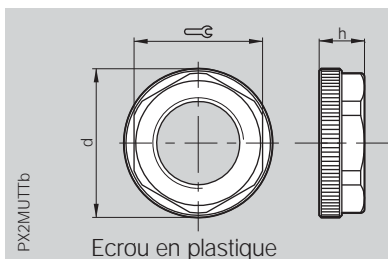
Brides de fixation

	A	B	C	D	E	F	G	H	I	J
BES 14,5-BS-1	22	32	20	14,5	12	8	4,5	4,5	10	1
BES 16,0-BS-1	26	36	26	16	12	8	4,5	4,5	13	1
BES 18,0-BS-1	26	36	26	17,9	12	8	4,5	4,5	13	1
BES 30,0-BS-1	42	55	38	30	18	10	5,5	5,5	18	1,5



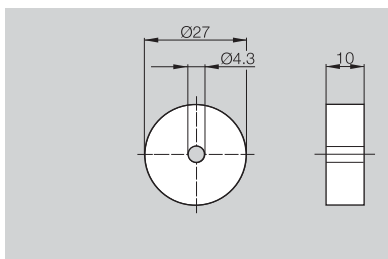
Ecrou en métal

	N° de pièce = symbolisation commerciale	Matériau	d	SW	h
en métal					
M30×1,5	500252	laiton, nickelé	42	36	5
en acier spécial					
M18×1	636982	1.4301	28	24	4
M30×1,5	636983	1.4401	42	36	5



Ecrou en plastique

	N° de pièce = symbolisation commerciale	Matériau	d	SW	h
en plastique					
M18×1	606841	PA 6.6	28	24	8



BIS Z-SP-001

Entretoise pour support de données en cas de montage sur métal



Câbles de liaison avec connecteurs
Connecteurs
Connecteurs, résistance terminale
Câbles de liaison

Connecteurs
Connecteurs, résistance terminale
Accessoires
Bride de fixation, système de retenue et plaque de montage

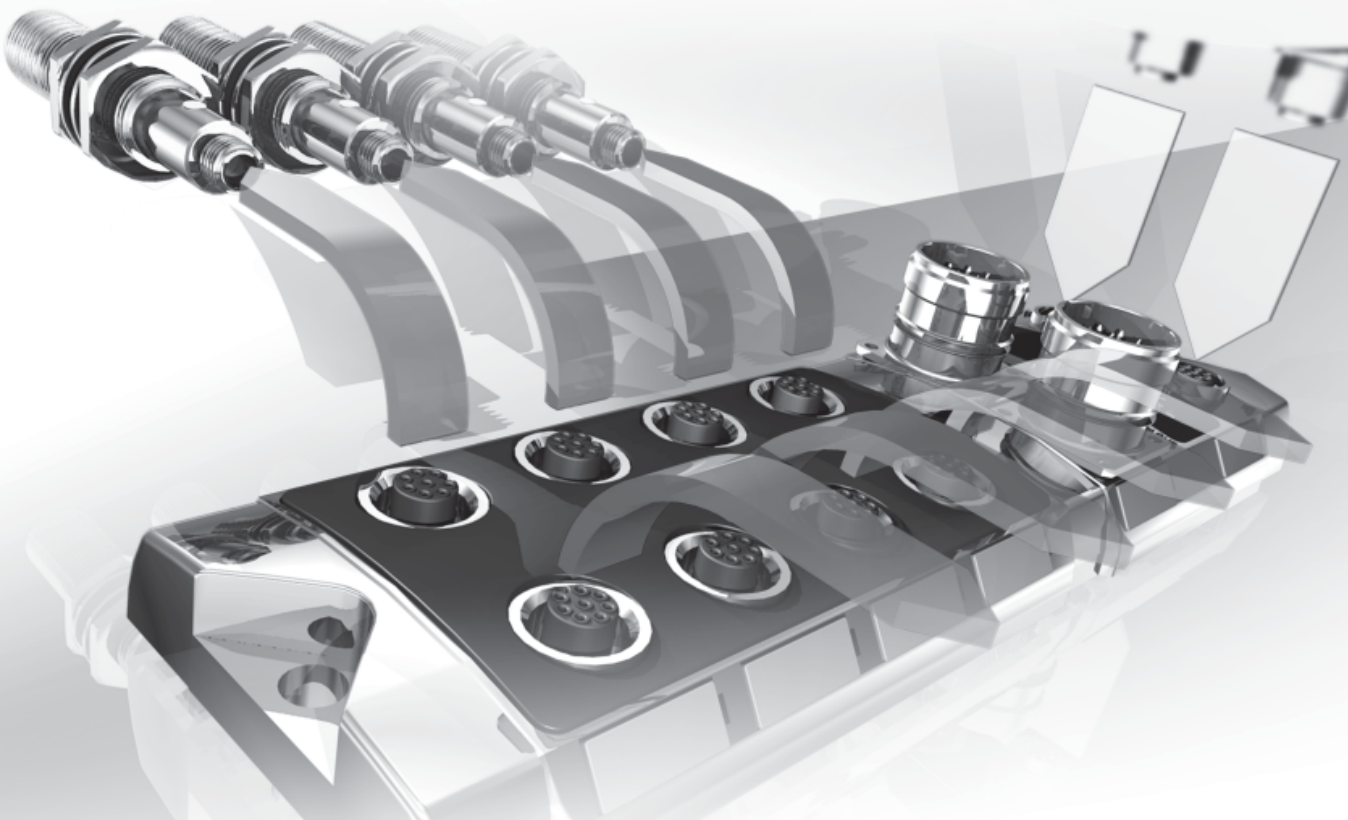
Accessoires mécaniques
Brides de fixation

Expandermodul BIS Z-ER

... bis zu 32 Schreib-/Leseköpfe anschließbar

Das Expandermodul ist zum Anschluss von bis zu 8 Schreib-/Leseköpfen geeignet: BIS L-3_ _ oder BIS M-3_ _ je nach eingesetzter Auswerteeinheit L oder M. Auswählbar über einen Drehschalter. Die Umschaltung bei Schreib-/Leseköpfen erfolgt elektronisch und ist somit verschleißfrei. Über Rückmeldesignale kann die Lesekopfanwahl überwacht werden. Die Auswahl des gewünschten Schreib-/Lesekopfes wird mit Hilfe von 2 x 4 Steuersignalen vorgenommen.

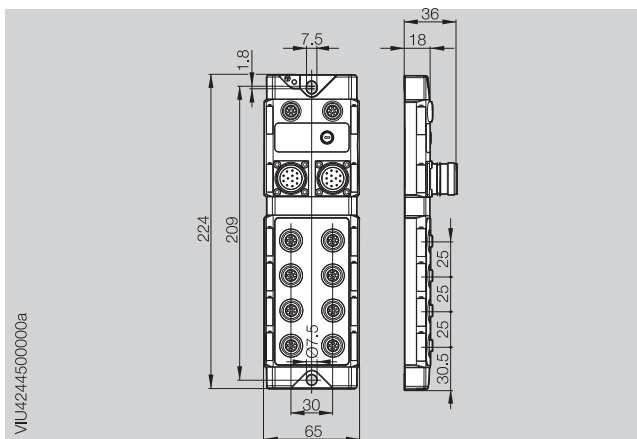
Es können maximal 2 Expander in Serie geschaltet werden. Mit dem neuen Expandermodul ist eine kostengünstige und wirtschaftlich skalierbare Erweiterung bis zu 32 Schreib-/Leseköpfe mit nur einer Auswerteeinheit möglich.



Expandermodul BIS Z-ER

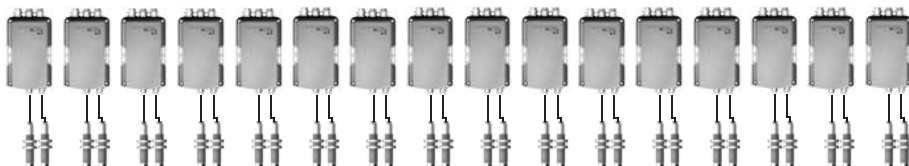
... bis zu 32 Schreib-/Leseköpfe anschließbar

Maß	225×68×37
Funktion	Expandermodul in Verbindung mit BIS L-60XX, BIS M-60XX oder BIS M-407
Gehäusewerkstoff	GD-Zn vernickelt
Gewicht	ca. 580 g

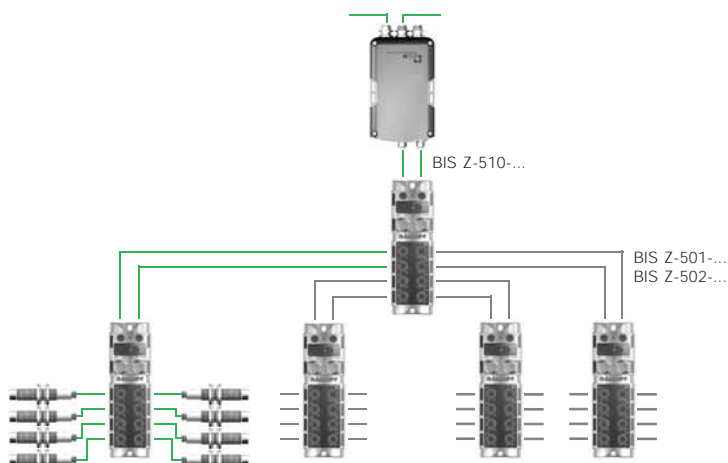


Bestellcode	BIS Z-ER-001
Spannungsversorgung	24 V DC ±20 %
Restwelligkeit	≤ 10 %
Stromversorgung	≤ 400 mA
Arbeitstemperatur	0...+60 °C
Lagertemperatur	0...+60 °C
Schutzart nach IEC 60529	IP 65
Anschlussart	2 Steckverbinder 8-polig M12 2 × 4 Steckverbinder 8-polig M12 2 Steckverbinder 12-polig M23
Anschluss für Auswerteeinheit	2 × 4 extern BIS L-3_ oder BIS M-3_ von der angewendeten Auswerteeinheit vorgegeben
Anschluss für Schreib-/Leseköpfe	16 LED grün und 16 LED gelb zur Anzeige des gewählten Schreib-/Lesekopfes
Kontrollanzeigen	2-Loch-Montage
Befestigung	Steckverbinder siehe Seite 199
Zubehör bitte separat bestellen	

Bisheriger Standard!



Jetzt neu! Mit dem neuen Expandermodul sind bis zu 32 Schreib-/Leseköpfe an **einer** Auswerteeinheit anschließbar



Systèmes industriels RFID BIS

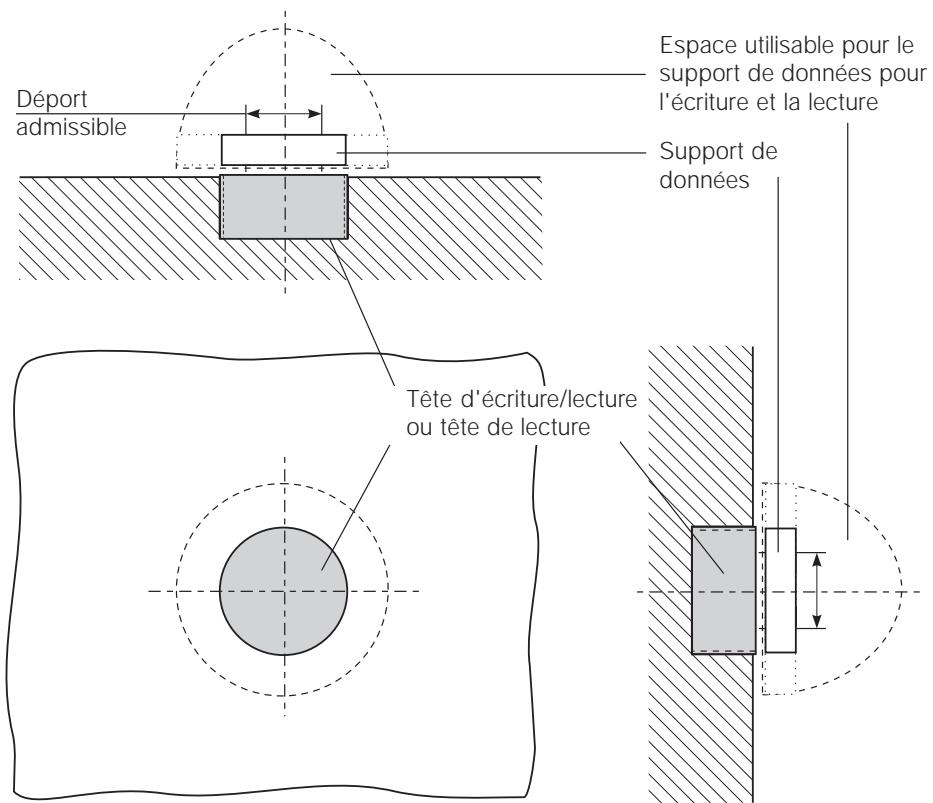
Combinaison de têtes de lecture/écriture et de supports de données

Disposition spatiale de la tête d'écriture/lecture ou de la tête de lecture et du support de données

Un élément essentiel pour le bon fonctionnement de l'échange de données entre la tête d'écriture/lecture ou la tête de lecture et le support de données est le respect d'un temps de séjour suffisamment long du support de données à l'intérieur d'une aire délimitée par une distance donnée de la tête d'écriture/lecture ou de la tête de lecture.

Les deux dessins illustrent ce phénomène: l'un des dessins des têtes de lecture/écriture ou de têtes de lecture se rapporte à un mode avec un sens de déplacement indifférent et l'autre dessin à une disposition où le support de données doit toujours se déplacer selon un sens donné.

Dans le cas d'une **écriture/lecture en mode statique** ou d'une **écriture en mode statique** le support de données est immobile par rapport à la tête d'écriture/lecture ou à la tête de lecture. Cela permet d'avoir une plus grande distance entre les deux.



Disposition spatiale de la tête d'écriture/lecture ou la tête de lecture et le support de données pour les têtes d'écriture/lecture ou têtes

de lecture à sens de déplacement indifférent et **montage encastrable** dans le métal (antenne cylindrique).



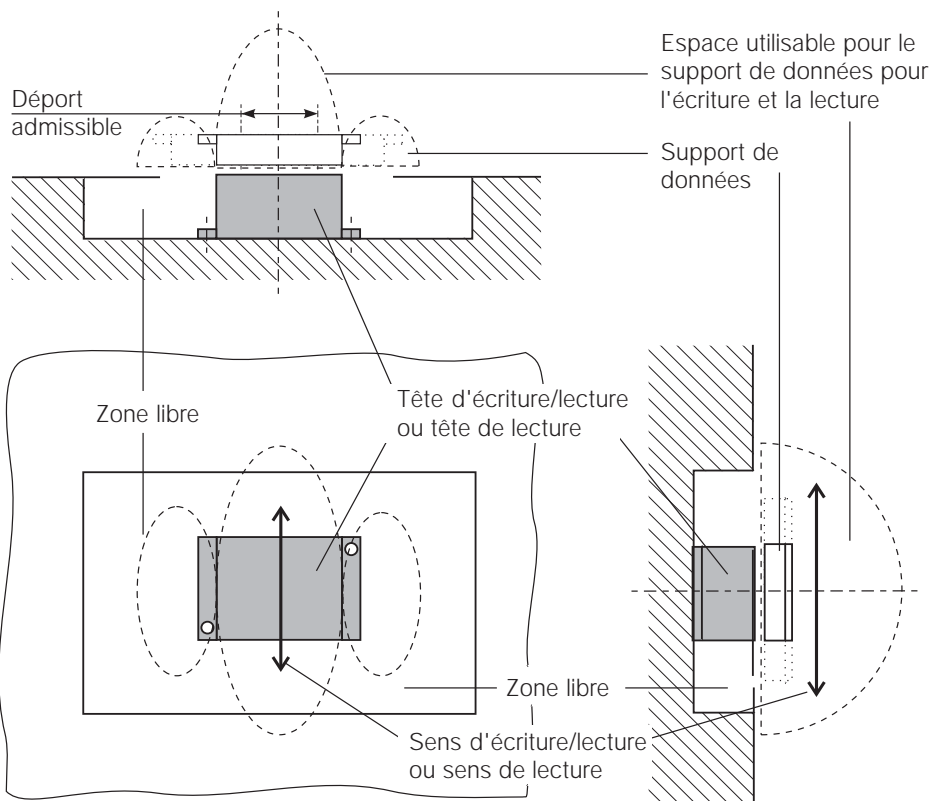
Systèmes industriels RFID BIS

Combinaison de têtes de lecture/écriture et de supports de données

Au cours d'un **fonctionnement dynamique**, le support de données se déplace à côté de la tête de lecture/écriture ou de la tête de lecture.

L'écart plus réduit est nécessaire afin d'obtenir si possible une grande course de lecture/écriture ou une grande course de lecture.

Des supports de données appropriés sont affectés à chaque tête de lecture/écriture ou tête de lecture (l'affectation dépend de la taille et de la forme de l'antenne).
Les données caractéristiques de l'écart et du déport admis sont spécifiées tout comme l'écart et la vitesse relative entre la tête de lecture/écriture ou la tête de lecture et le support de données.



Disposition spatiale de la tête de lecture/écriture ou de la tête de lecture et du support de données pour les têtes de lecture/écriture ou les têtes de lecture dépendant du sens de déplacement et **un montage non encastrable** (antenne axiale).

Systèmes industriels RFID BIS

Logiciel et outils de service

Outils de service – pour une mise en service simple

Economisez du temps et de l'argent et utilisez le CD-ROM pour une mise en service simple de votre système BIS. Pour vous faciliter la tâche, chaque unité d'exploitation est munie de ce CD-ROM comportant des outils de service.

BISCOMRW

En tant qu'aide à la mise en service, pour la configuration du test !

Ce logiciel gratuit offre la possibilité d'écrire ou de lire un support de données via un ordinateur courant.

Conditions requises :

Ordinateur :
Interface série ou interface USB avec utilisation d'un convertisseur USB vers RS232.
Windows XP ou Windows 2000.
Lecteur CD-ROM.

Unité d'exploitation :
Toutes les unités d'exploitation avec protocole (-007) Balluff et interface série intégrée.

Fonctions :

- lecture de supports de données et affichage des données au format ASCII et hexadécimal.
- édition de données et écriture de données sur le support de données.
- initialisation du support de données pour le fonctionnement CRC.



Couplage logiciel BIS C-60_2 pour Siemens Simatic S7

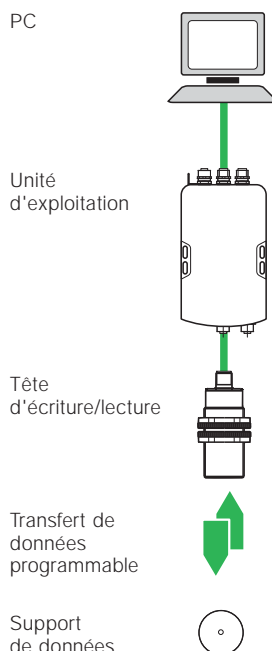
Pour une intégration rapide dans le système de commande. Economisez du temps et de l'argent grâce aux fonctions préprogrammées !

Modules fonctionnels pour le traitement d'unités d'exploitation avec interface INTERBUS ou PROFIBUS-DP sur un automate Simatic S7.

Les modules fonctionnels offrent toutes les fonctionnalités, dont disposent les unités d'exploitation. Les données sont échangées par le biais de la zone E/S de la commande.

Avantages :

- mise en service rapide
- manipulation aisée
- étendue complète de commandes



■ Systèmes industriels RFID BIS

Formes spéciales



BIS M-107-03/L-H200
Support de données pour
haute température



BIS M-115-03/A
Autres solution pour
votre application.
Consultez-nous !



BIS C-131-05/L pour une
lecture des données radiale sur
des composants tournants,
le positionnement est supprimé.
Consultez-nous !



BIS L-130-05/L-SA1 pour une
lecture des données radiale sur
des composants tournants,
le positionnement est supprimé.
Consultez-nous !